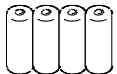
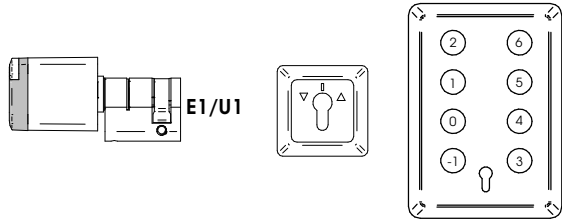
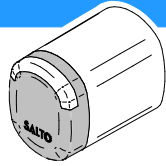


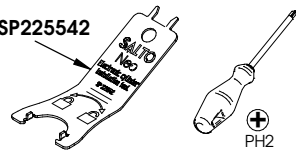
- Eng Installation guide
- D Montageanleitung
- F Guide d'installation
- E Guía de instalación
- NL Installatiehandleiding
- I Guida all'installazione
- P Guia de instalação



Danger for electronic components due to electrostatic discharge.

SALTO Recommended Batteries SP01926-5

SP225542



Not included/Nicht enthalten/Non incluso/No incluido  
Niet inbegrepen/Non incluso/Não incluso

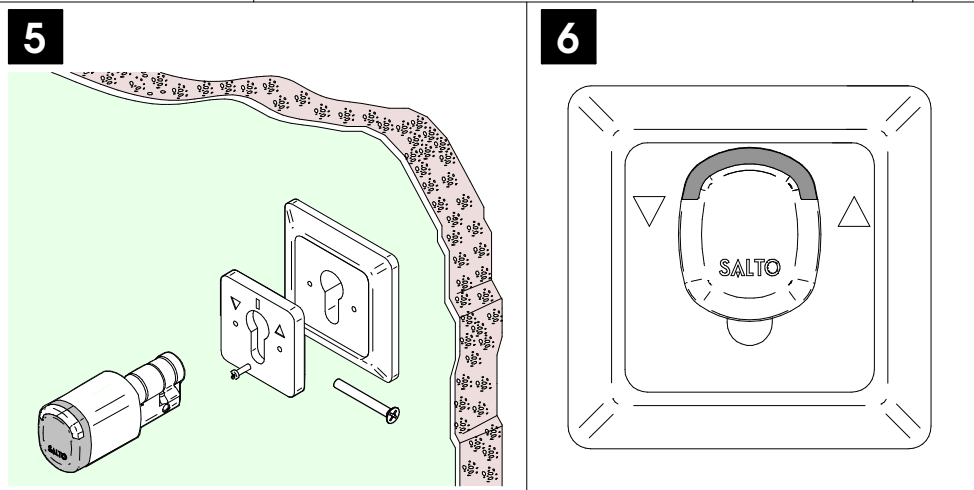
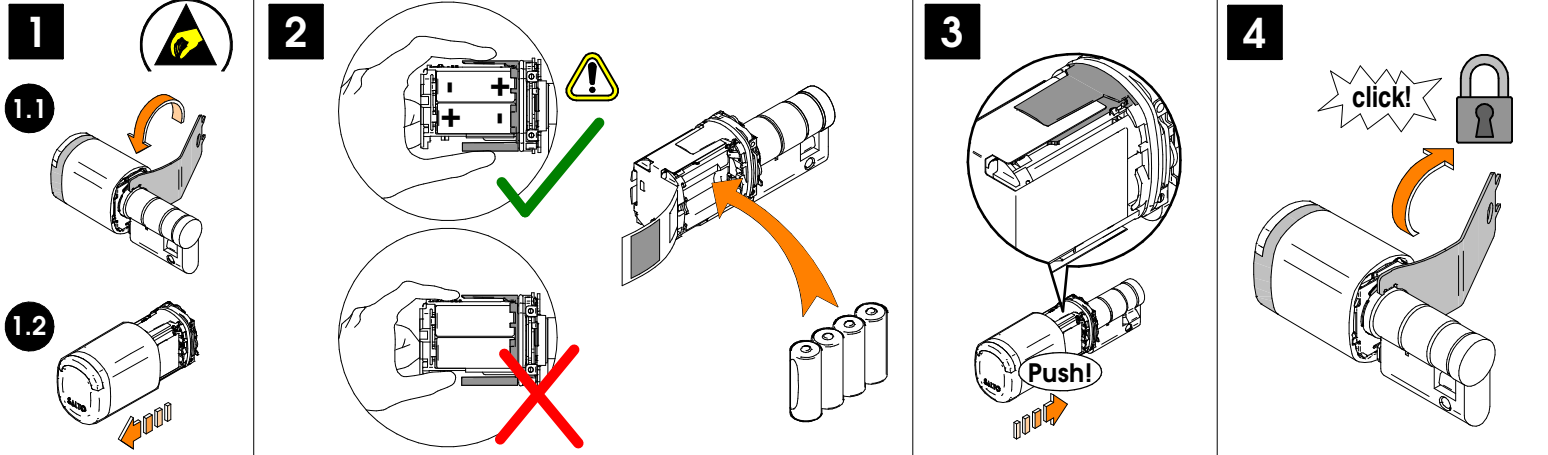


[www.saltosystems.com/en/quick-links/manuals-and-guides/](http://www.saltosystems.com/en/quick-links/manuals-and-guides/)

**SALTO Neo**

E1/U1

Eng Installation D Montageanleitung F Installation E Instalación NL Montage I Montaggio P Instalação



Eng Installation and use recommendations D Empfohlene Handhabung und installation F Recommendations d'utilisation et d'instalation E Consejos de uso e instalación NL Installatie - en gebruiksinstructies I Raccomandazioni d'uso ed d'utilizzo P Instruções de uso e instalação

