

Handing selection

XS4 Original+

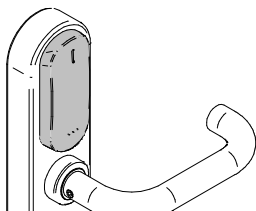
SALTO

inspired access

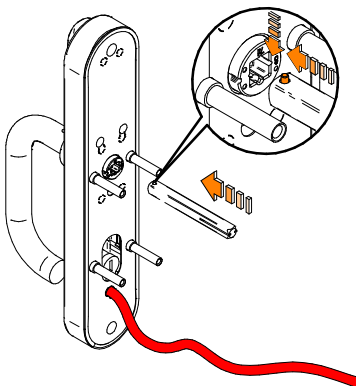
Eng Handing selection

- Ⓔ Selección mano
- Ⓓ *Drückerrichtung wählen*
- Ⓕ Choisir le sens de la bêcheille
- Ⓘ *Scegliere il verso*
- ⒫ Seleção mão

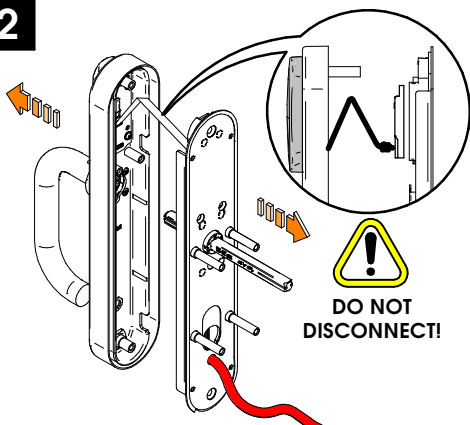
Ei4xx..RO series
Ei4xx..SH series



1

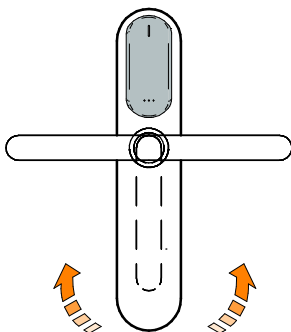


2

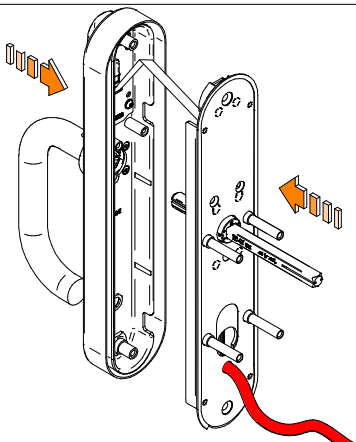


1/2

3



4



5

