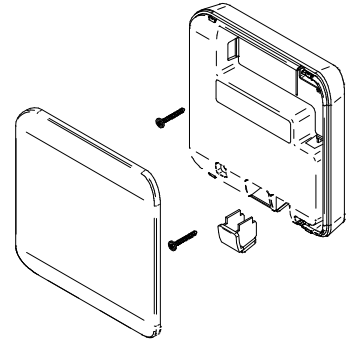
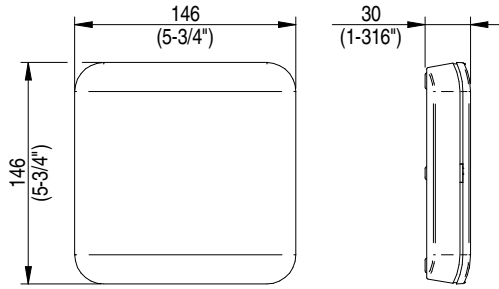
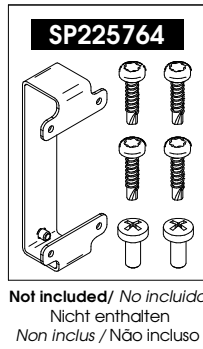
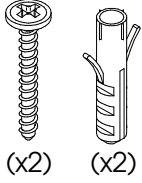


Installation guide

IQ2.0

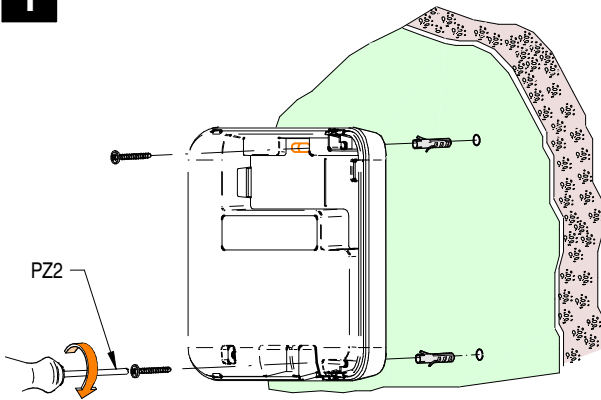
SALTO
inspiredaccess

- Eng Installation guide
- E Guía de instalación
- D Montageanleitung
- F Guide d'installation
- P Guia de instalação

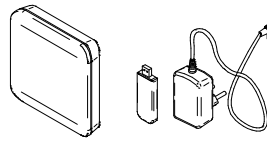


Eng Installation E Instalación D Installation F Installation P Instalação

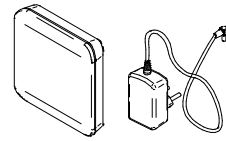
1



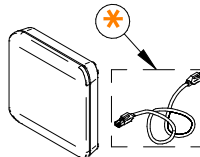
a ETHERNET + CELLULAR MODEL



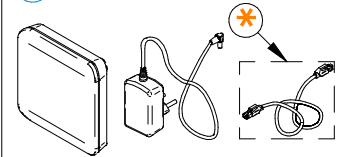
b ETHERNET + WIFI MODEL



c ETHERNET + POE MODEL



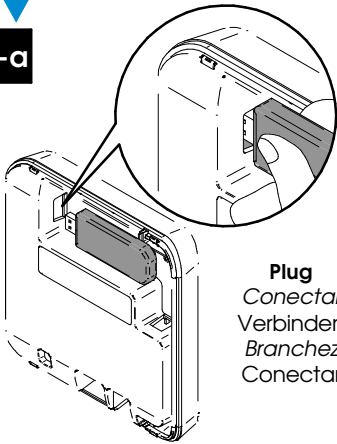
d ETHERNET MODEL



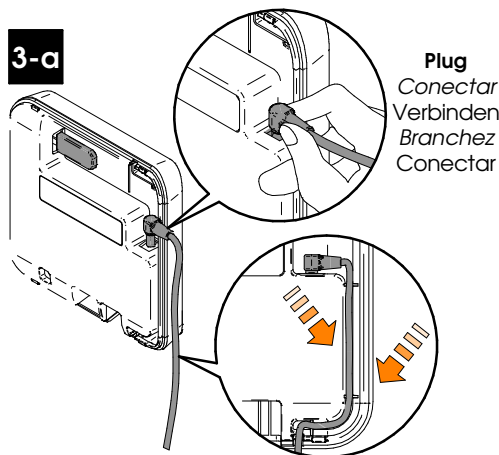
(*)Not included/ No incluido/ Nicht enthalten/ Non inclus/ Não incluso

a ETHERNET + CELLULAR MODEL

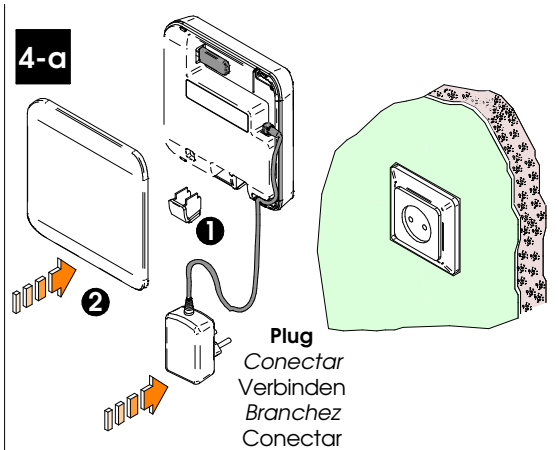
2-a



3-a

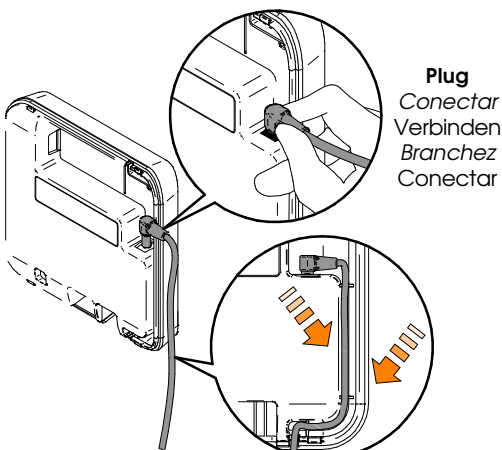


4-a

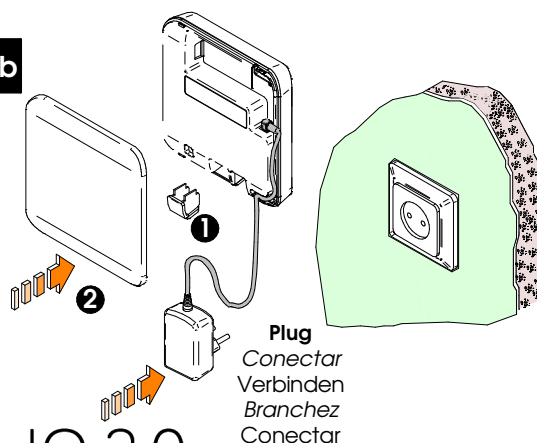


b ETHERNET + WIFI MODEL

2-b



3-b



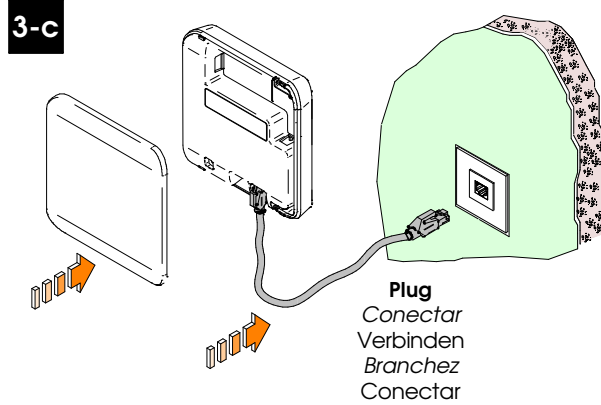
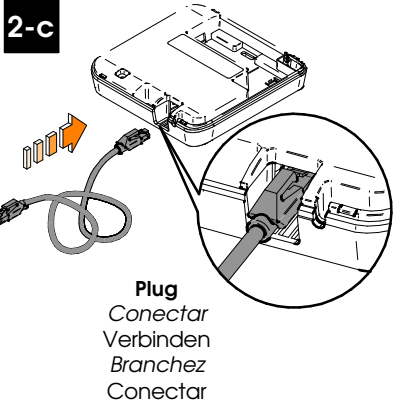
IQ 2.0

Installation guide

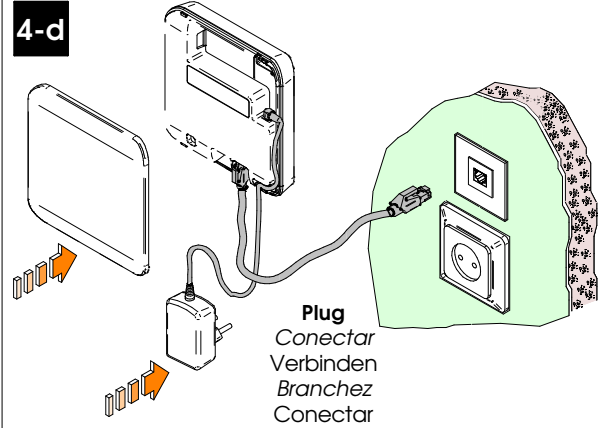
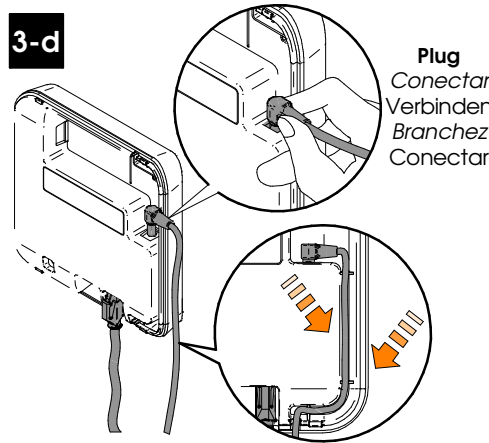
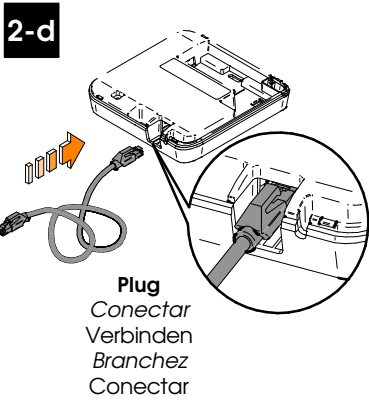
IQ2.0

SALTO
inspiredaccess

c ETHERNET + POE MODEL

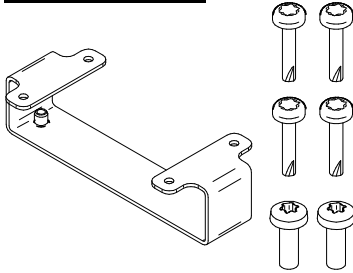


d ETHERNET MODEL



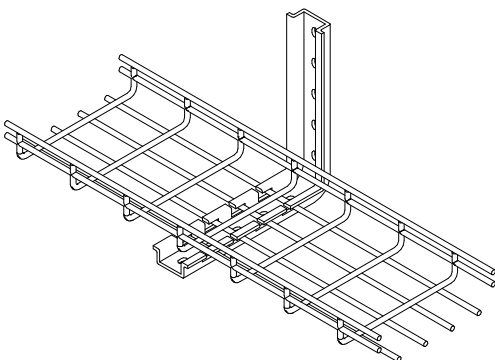
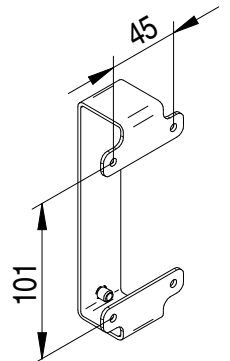
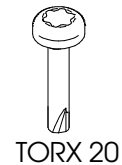
IQ 2.0 SUPPORT

SP225764

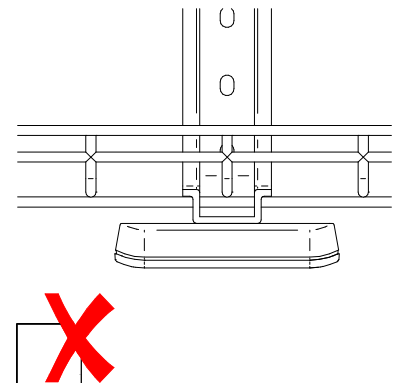
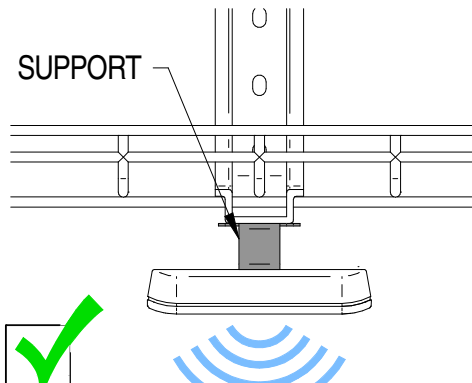


For installations on metal surfaces
 Para instalaciones sobre superficies metálicas
 Für die Montage auf Metalloberflächen
 Pour installations sur des surfaces métalliques
 Para instalações em superfícies metálicas

Not included / No incluido / Nicht enthalten / Non inclus
 Não incluso

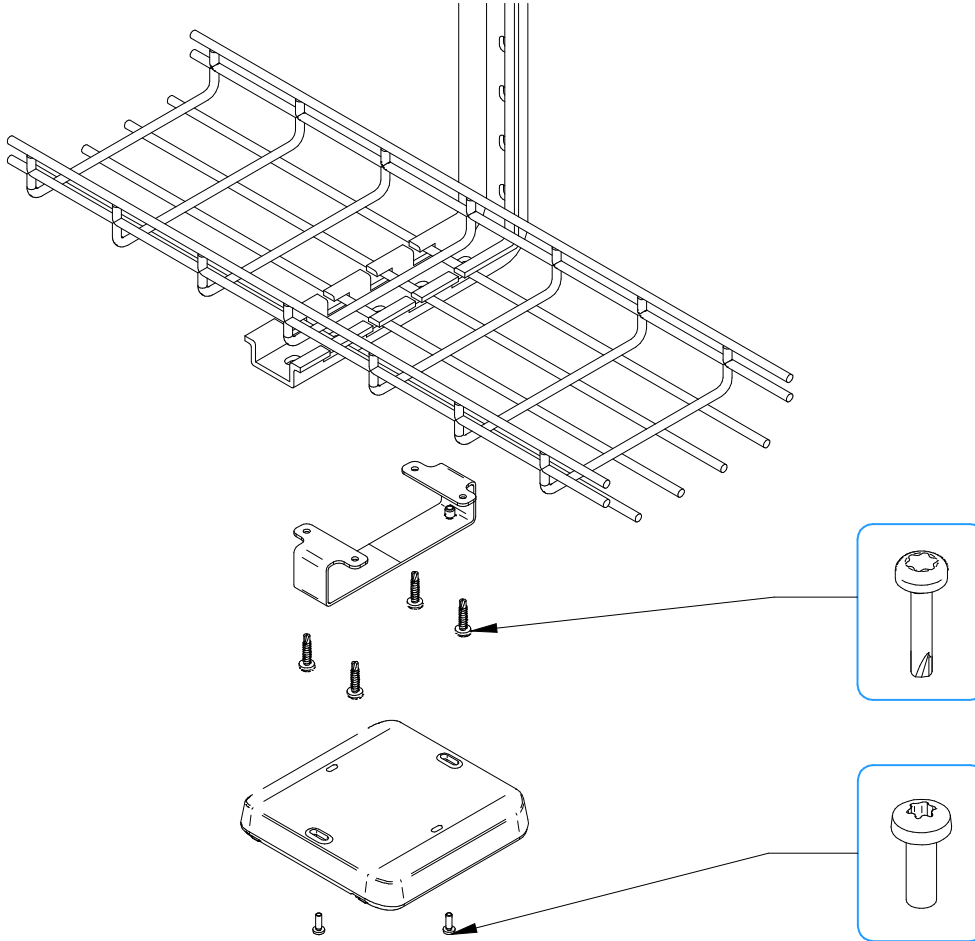


SUPPORT



IQ 2.0

1



Eng Electrical features

- E Características eléctricas
- D Elektrische espezifikationen
- F Caracteristiques electriques
- P Características eléctricas

OPERATION CONDITIONS

	Min	Max	Unit
Temperature	0	40	°C

2.4 Ghz RF CHARACTERISTICS

Frequency Range	2405-2480 Mhz (ISM band)
RF Standard	IEEE 802.15.4
Indoor Radio Range	7m*

(*). Depending upon installed environment.

POWER SUPPLY CHARACTERISTICS

(Only for use with Clay's power supply)

		Unit
Input Voltage	12	V
Max Current	800	mA

OTHER CHARACTERISTICS:

WIFI
IEEE 802.11 b/g/n radio

BLE
Bluetooth 4.2 Compliant
Integrated antenna
TX power: up to +8dBm
RX sensitivity: down to -92dBm
Indoor range: 10-15m*

(*). Depending upon installed environment.
(PoE + WiFi variant might suffer range reduction of up to 30%).

POE
The POE connection complies to IEEE 802.3af (max 15.40W, also known as 802.3a Type 1)

To ensure a correct operation, do not install the device near a metallic surface.

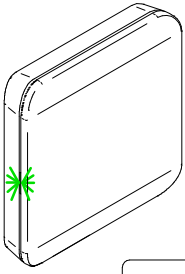
Para asegurar un correcto funcionamiento, no instalar el dispositivo cerca de una superficie metálica.

Um einen einwandfreien Betrieb zu gewährleisten, installieren Sie das Gerät dann nicht in der Nähe von einer metallischen Oberfläche.

Pour assurer un fonctionnement correct, n'installez pas l'appareil près d'une surface métallique.

Para assegurar o funcionamento adequado, não instale o aparelho perto de uma superfície de metal





LED MODE	LED COLOUR	STATUS INDICATION
Blink BLUE twice		Normal Power Up
Blink long BLUE		Software reset
Blink RED GREEN BLUE		Factory reset
Blink short BLUE		IQ2.0 firmware update
Blink short GREEN (2 minutes)		Until BLE connection is established
Blink long GREEN		BLE connection is established
Blink short RED		No connection to the cloud
Blink long PURPLE		Not valid subscription found
Permanent WHITE		Factory mode