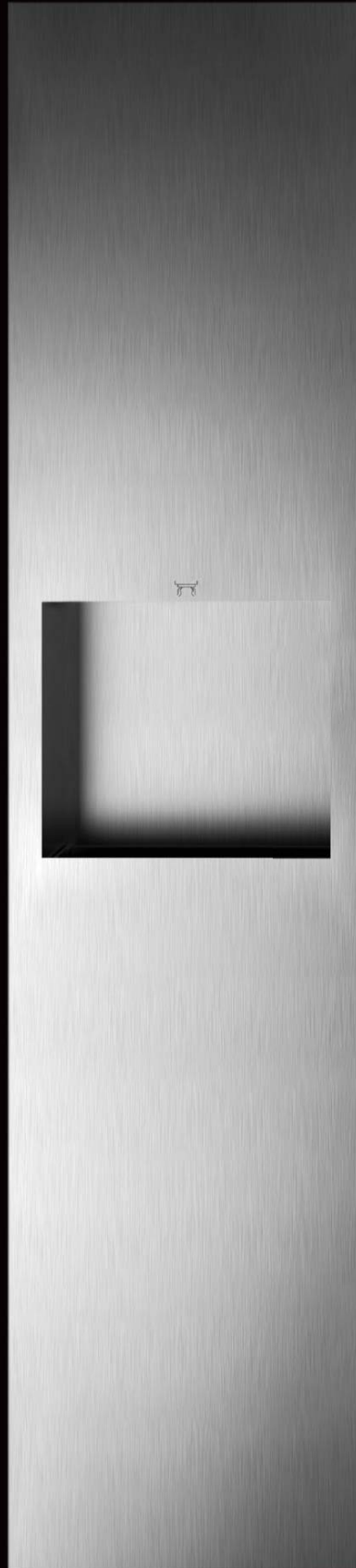


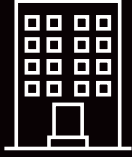


BATHROOM  
ACCESSORIES



MADE  
IN ITALY

DESIGN.  
FOR ALL



OFFICE



HOSPITALITY



HEALTHCARE



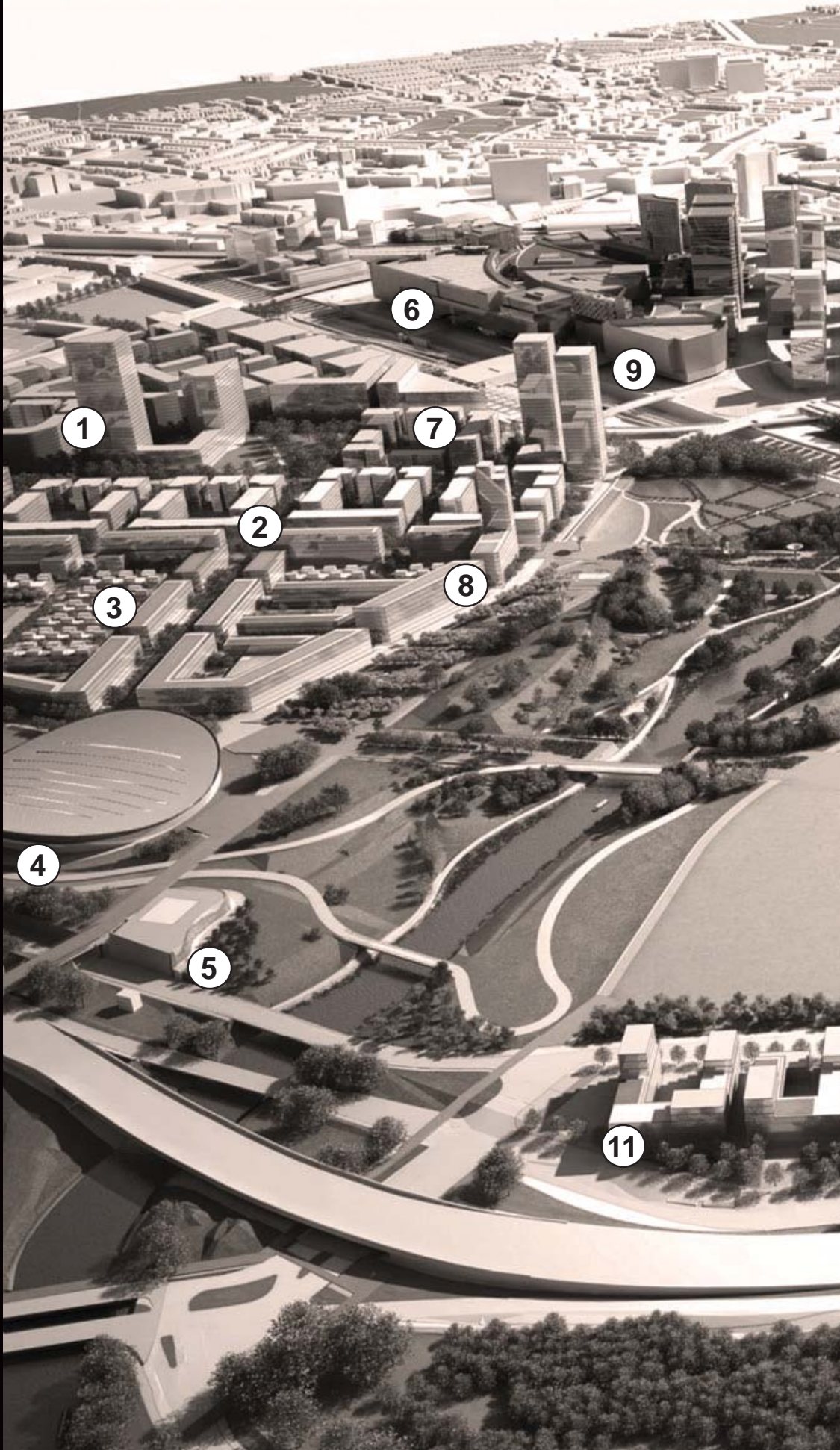
PUBLIC SPACES



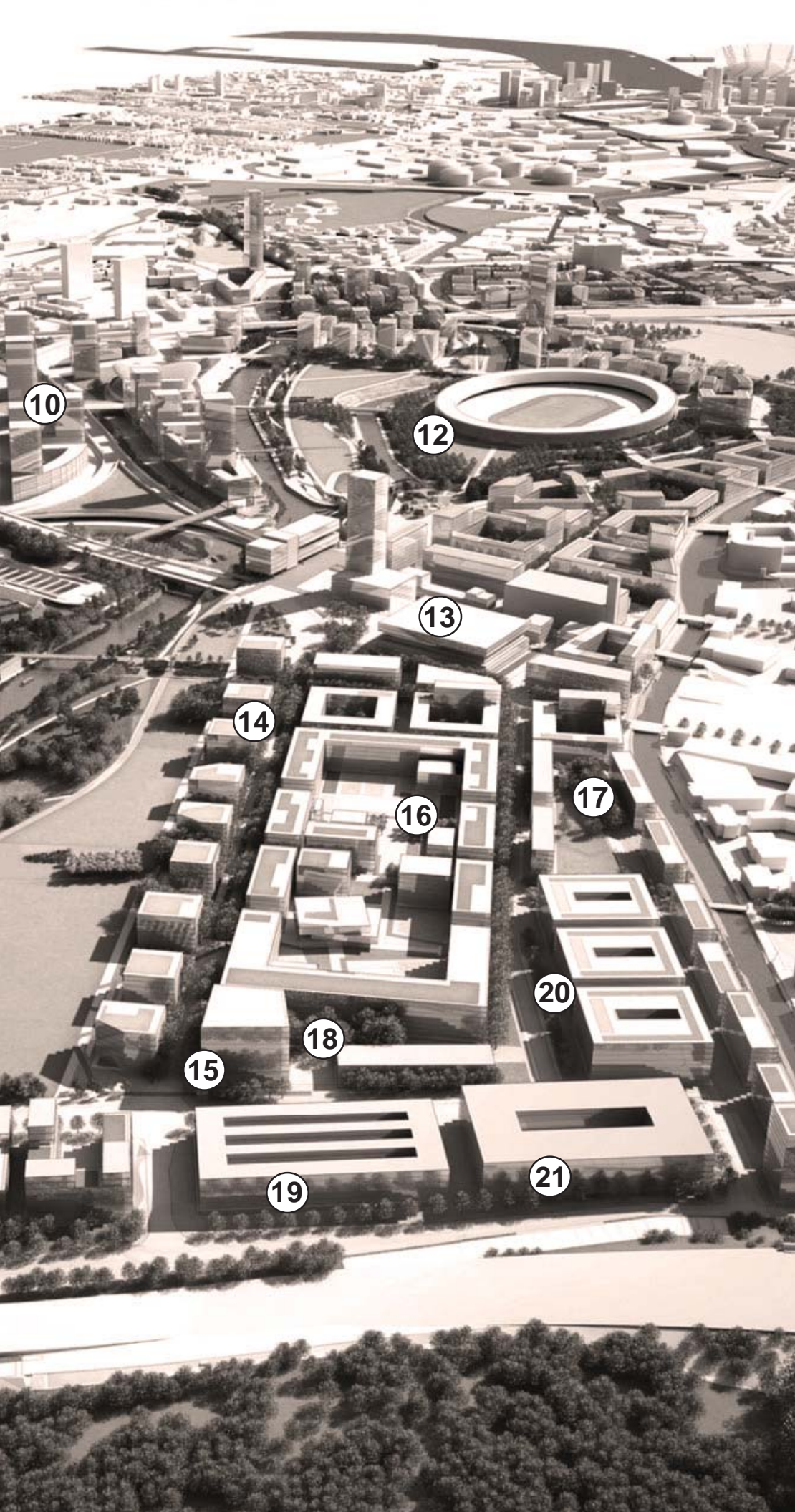
MIXED USED



RESIDENTIAL







- 1 HOSPITAL
- 2 RESIDENCE
- 3 SPORTS COURT
- 4 AIRPORT
- 5 TRAIN STATION
- 6 MALL
- 7 REST HOME
- 8 EXHIBITION CENTER
- 9 OFFICE BUILDING
- 10 HOTEL
- 11 SPA & WELLNESS CENTRE
- 12 STADIUM
- 13 SWIMMING POOL
- 14 VILLAS
- 15 BANK
- 16 UNIVERSITY
- 17 CAMPUS
- 18 LIBRARY
- 19 MUSEUM
- 20 AUDITORIUM
- 21 CONCERT HALL





# pba FOR LEED® CERTIFICATION

OUR CONTRIBUTION TO THE EFFICIENCY AND SUSTAINABILITY OF BUILDINGS

LEED® (LEADERSHIP IN ENERGY ENVIRONMENTAL DESIGN) IS A VOLUNTARY CERTIFICATION SYSTEM FOR THE MANAGEMENT, DESIGN AND CONSTRUCTION OF BUILDINGS THAT ARE SUSTAINABLE FROM A SOCIAL, ENVIRONMENTAL AND ECONOMIC POINT OF VIEW AND IN TERMS OF THE WELLBEING OF THE USERS.

**pba PRODUCTS CONTRIBUTE TOWARD SATISFYING PREREQUISITES AND CREDITS UNDER LEED®.**

INTEGRATED PROCESS	<b>IP</b>	
MATERIALS AND RESOURCES	<b>MR</b>	
INDOOR ENVIRONMENTAL QUALITY	<b>EQ</b>	
INNOVATION	<b>I</b>	







## DECLARE LABEL

OUR DECLARE "RED LIST FREE" PRODUCTS FOR SUSTAINABLE BUILDINGS

---

THE DECLARE LABEL LISTS THE MATERIALS IN A PRODUCT TO DISCLOSE WHAT THEY ARE MADE OF, WHERE THEY ARE PRODUCED AND HOW THEY WILL BE DISPOSED OF. THIS LABEL IS A CALL FOR RESPONSIBILITY TO PRODUCERS AND USERS ALIKE.

THE DECLARE LABEL IS A GUIDE TO SELECT PRODUCTS, PROVIDES INFORMATION IN A SIMPLE AND TRANSPARENT WAY AND RISES ABOVE GREENWASHING.

DECLARE TAKES COMPLEX CHEMICAL ANALYSIS AND RAW MATERIAL SOURCE LOCATION INFORMATION TO ESTABLISH THAT PRODUCTS ARE FREE FROM HAZARDOUS CHEMICALS. ALL DECLARE LABEL OF pba PRODUCTS ARE RED LIST FREE.







THE *DESIGN FOR ALL* BATHROOM ACCESSORIES COLLECTION IS AN EXPRESSION OF MATERIALITY AND FORM AT ITS PUREST. CRAFTED BY HAND OF AISI 316L STAINLESS STEEL – THE HARDEST, MOST RESISTANT, AND MOST ELASTIC OF STEELS – MAXIMUM ATTENTION WAS GIVEN TO CREATING MINIMAL SHAPES WITH REFINED DETAILS ... ALL TO REDUCE VISUAL CLUTTER AND TO DELIVER AN ELEVATED END USER EXPERIENCE. FROM THE ABSENCE OF FLANGES AND EXPOSED HINGES TO A TRADEMARK REVEAL THAT IMPARTS A DISCERNIBLE LIGHTNESS AND MAKES INSTALLATION ON UNEVEN SURFACES MORE FORGIVING, EVERY ITEM IN THE RANGE BRINGS AN INCOMPARABLE ELEGANCE AND SENSE OF MODERNITY TO THE RESTROOM ENVIRONMENT. CONCEIVED TO BLEND INTO A SPACE RATHER THAN TO DISTRACT THE EYE, AND A STEP AWAY FROM THE INSTITUTIONAL LOOK COMMON TO THE MARKET, DESIGN FOR ALL WAS DEVELOPED IN COLLABORATION WITH GENSLER, SERVING AS PRODUCT DESIGN CONSULTANT.

# DESIGN DRIVERS

MINIMAL SHAPES

REFINED DETAILS

CONCEALED FASTENERS

CONCEALED HINGES

VISUAL LIGHTNESS

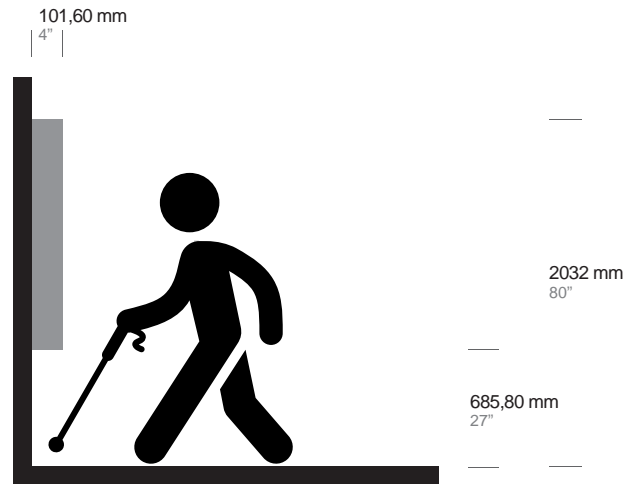
ELEGANT INTEGRATION INTO THE BATHROOM ENVIRONMENT





## DESIGN PARAMETERS

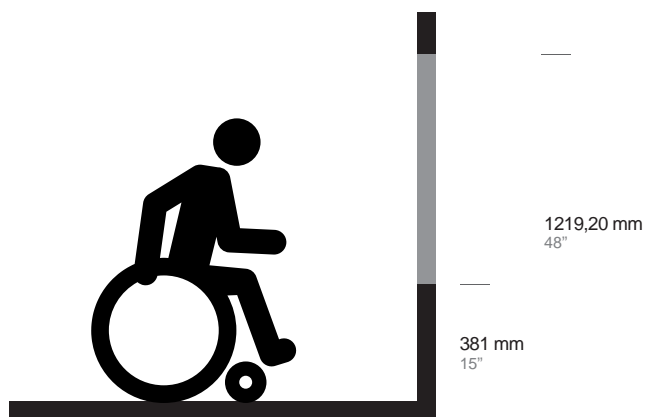
### PROTRUDING OBJECT CONSTRAINTS



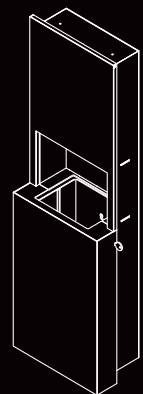
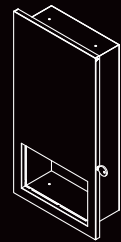
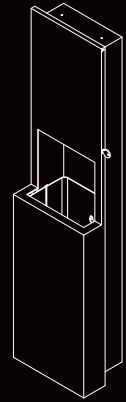
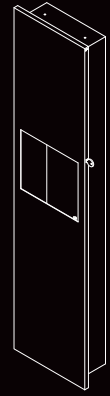
OBJECTS BETWEEN 27" AND 80" ABOVE THE FLOOR MAY ONLY PROTRUDE A MAXIMUM OF 4" INTO THE CIRCULATION PATH

---

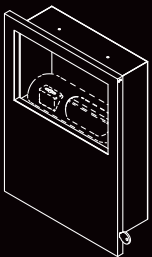
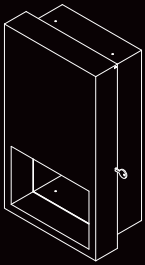
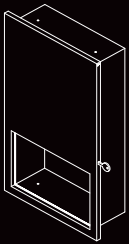
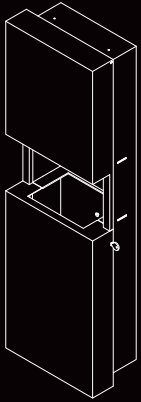
### REACH RANGE CONSTRAINTS



A FORWARD REACH MUST REMAIN BETWEEN 15"-48" ABOVE THE FLOOR







<b>COMBINATION PAPER TOWEL DISPENSER / WASTE UNIT</b>	<b>PAGE 13</b>
<b>PAPER TOWEL DISPENSER</b>	<b>PAGE 25</b>
<b>SOAP DISPENSER</b>	<b>PAGE 35</b>
<b>TOILET TISSUE DISPENSER</b>	<b>PAGE 43</b>
<b>RECESSED TOILET TISSUE DISPENSER</b>	<b>PAGE 53</b>
<b>TOILET SEAT COVER DISPENSER</b>	<b>PAGE 59</b>
<b>SANITARY NAPKIN / TAMPON WASTE UNIT</b>	<b>PAGE 65</b>
<b>SHELF</b>	<b>PAGE 73</b>
<b>SHARPS CONTAINER</b>	<b>PAGE 79</b>
<b>SANITARY NAPKIN / TAMPON DISPENSER</b>	<b>PAGE 83</b>
<b>STAINLESS STEEL GRAB BARS</b>	<b>PAGE 87</b>
<b>COPPER / STAINLESS STEEL GRAB BARS</b>	<b>PAGE 95</b>
<b>POLYAMIDE 6 GRAB BARS</b>	<b>PAGE 103</b>
<b>MIRROR</b>	<b>PAGE 111</b>
<b>SHOWER SEAT</b>	<b>PAGE 117</b>
<b>HAND SANITIZER COVERS</b>	<b>PAGE 121</b>
<b>PROJECT GUIDE</b>	<b>PAGE 131</b>
<b>GUIDE TO THE PROJECT</b>	<b>PAGE 135</b>
<b>TECHNICAL INFORMATION</b>	<b>PAGE 141</b>



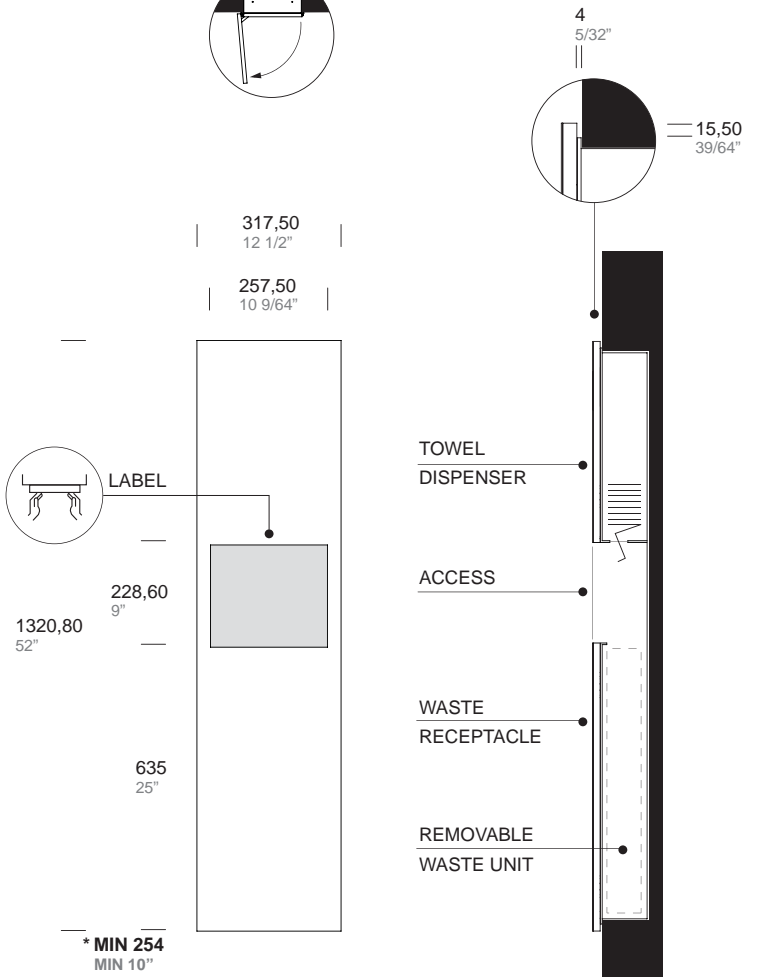
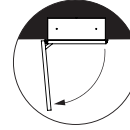


COMBINATION PAPER TOWEL DISPENSER / WASTE UNIT



Outer surface  
 Inner surface

**DOOR OPENING**

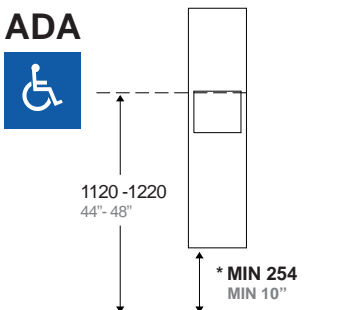


**COMBINATION PAPER TOWEL DISPENSER / WASTE UNIT SMALL - RECESSED  
REMOVABLE WASTE RECEPTACLE - NOT INCLUDED**

**ITEM**

**GBA.101.0000. xx  
GBA.101.00WR.00**

**ADA**



**SUGGESTED WALL OPENING**  
High: 1273,15 mm (50 1/8")  
Wide: 276,20 mm (10 7/8")  
Max wide: 273,50 mm (10 49/64")

**.XX STANDARD COMBINATION OUTER AND INNER SURFACE**

	SATIN	POWDER COATED				
<input type="checkbox"/> OUTER	.44	.31	.38	.39	.32	.40
<input type="checkbox"/> INNER	.XX	.31	.38	.39	.32	.40

**INNER SURFACE FINISH OPTIONS ON REQUEST \***

**ANTI-MICROBIAL COATING** **A M C**

.99				
-----	--	--	--	--



**GBA.101.0001**

**SPECIFICATION:**

Combination of paper towel dispenser and waste unit for recessed installation with overall dimensions 52" (H) x 12-1/2" (W) and 53/64" total projection from wall.

Mounting wall frame in 5/32" (4 mm) thick welded on a all-welded construction in 3/64" (1 mm) thick type 316L stainless steel with powder coated finish. Integrated paper towel dispenser which shall dispense up to 600 C-fold or multifold (Z-fold) paper towels.

Front door with beautiful non-rounded design made with 1/16" (1,5 mm) and 5/64" (2 mm) thick type 316L stainless steel welded-per-point. Reinforced structure with full height square 19/32" (15 mm) type 316L stainless steel tube. Exposed surfaces of front door have satin finish.

Integrated hinge system to allow the door opening with a minimum gap from the wall (thickness of mounting wall frame).

Unit equipped with a slider door-opening limiter and a concealed closure system which keeps the door closed (not locked). On side rectangular hole allows access to open the unit with provided key.

Removable leakproof molded waste receptacle in 5/64" (2 mm) black PST (polystyrene) to be order separately with a capacity of 4,11 US gal (15,6 L). Waste receptacle shall be model GBA.101.00WR.00. One key black RAL 9005 powder coated included.

**OPERATION:**

**Maintenance** - Use provided key from side hole to open the front door to have access to recessed unit. The sliding door-opening limiter prevents the door for extra-overture which may cause damages to the wall / tiles. Place recharge of paper towel packs through the front opening of the dispenser.

The leakproof waste receptacle is removable for servicing: lift slightly and pull forward to remove it from the unit.

**User** - Paper towel dispenser will dispense up to 600 C-fold or multifold (Z-fold) paper towels from the front opening window.

**INSTALLATION:**

Provide framed rough wall opening 50-1/8" height x 10-7/8" width (1273 x 276 mm). Suggested depth to finish face of wall is 4-1/4" (108 mm); minimum recessed depth required is 4".

Allow clearance for construction features that may protrude into rough wall opening from opposite wall and avoid pipes, vents and conduits.

Mount unit into wall opening and secure with provided fixing screws in 4 mounting holes on the recessed cabinet.

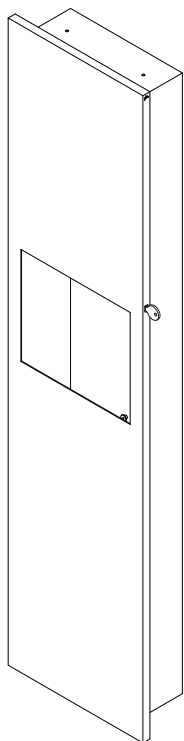
**GBA.101.00WR.00**

**SPECIFICATION:**

Removable leakproof molded waste receptacle in 5/64" (2 mm) black PST (polystyrene) with a capacity of 4,11 US gal (15,6 L) suitable for item GBA.101.0000. Dimensions 23-1/8" (H) x 10-3/64" (W) x 4-17/32" (D) x 4-17/32".

**OPERATION:**

The leakproof waste receptacle is removable for servicing: lift slightly and pull forward to remove it from the unit.



OPENING KEY DETAIL



**KEY INCLUDED**

ITEM

**GBA.100.0KEY.40**

REMOVABLE WASTE RECEPTACLE



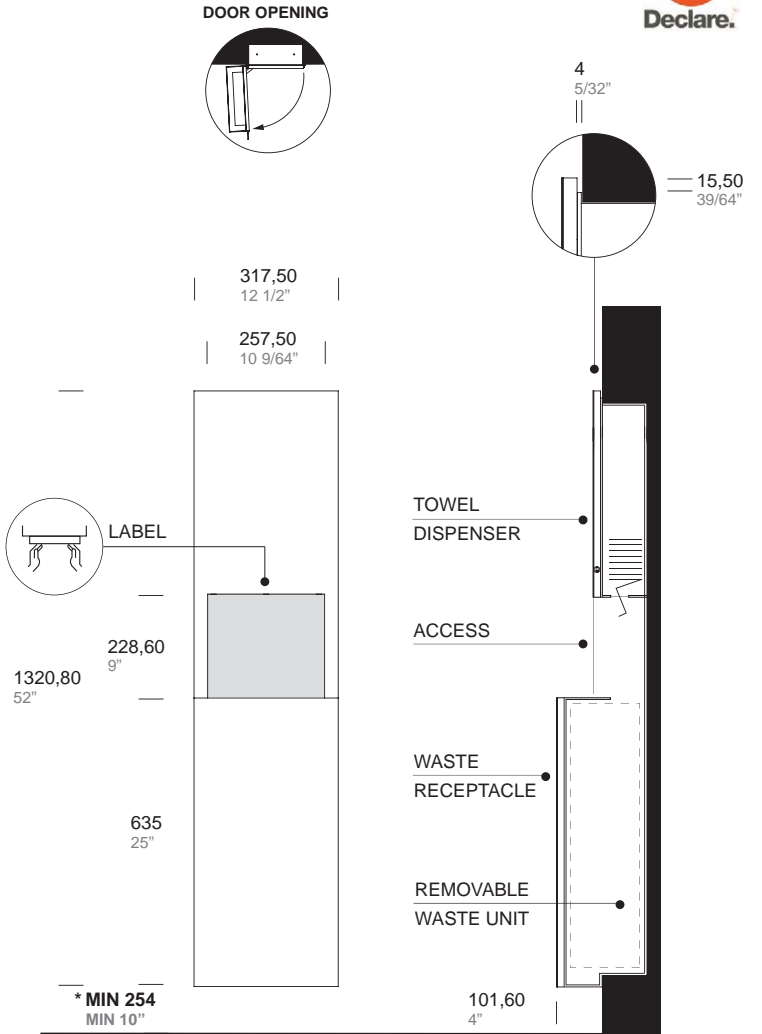
**REMOVABLE WASTE RECEPTACLE  
NOT INCLUDED**

**GBA.101.00WR.00**





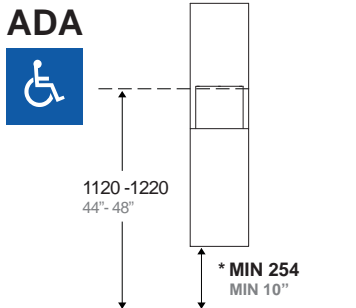
- Outer surface
- Inner surface



**COMBINATION PAPER TOWEL DISPENSER / WASTE UNIT BIG - RECESSED**  
**REMOVABLE WASTE RECEPTACLE - NOT INCLUDED**

**ITEM**

**GBA.102.0000. xx**  
**GBA.102.00WR.00**



**SUGGESTED WALL OPENING**  
High: 1273,15 mm (50 1/8")  
Wide: 276,20 mm (10 7/8")  
Max wide: 273,50 mm (10 49/64")

**.XX STANDARD COMBINATION OUTER AND INNER SURFACE**

	SATIN	POWDER COATED				
<input type="checkbox"/> OUTER	.44	.31	.38	.39	.32	.40
<input type="checkbox"/> INNER	.XX	.31	.38	.39	.32	.40

**INNER SURFACE FINISH OPTIONS ON REQUEST \***

**ANTI-MICROBIAL COATING** **A M C**

.99				
-----	--	--	--	--



**GBA.102.0001**

**SPECIFICATION:**

Combination of paper towel dispenser and waste unit high capacity for recessed installation with overall dimensions 52" (H) x 12-1/2" (W) and 3-63/64" total projection from wall.

Mounting wall frame in 5/32" (4 mm) thick welded on a all-welded construction in 3/64" (1 mm) thick type 316L stainless steel with powder coated finish. Integrated paper towel dispenser which shall dispense up to 600 C-fold or multifold (Z-fold) paper towels.

Front door with beautiful non-rounded design made with 1/16" (1,5 mm) and 5/64" (2 mm) thick type 316L stainless steel welded-per-point. Reinforced structure with full height square 19/32" (15 mm) type 316L stainless steel tube. Exposed surfaces of front door have satin finish.

Integrated hinge system to allow the door opening with a minimum gap from the wall (thickness of mounting wall frame).

Unit equipped with a slider door-opening limiter and a concealed closure system which keeps the door closed (not locked). On side rectangular hole allows access to open the unit with provided key.

Removable leakproof molded waste receptacle in 5/64" (2 mm) black PST (polystyrene) to be order separately with a capacity of 7,11 US gal (26,9 L). Waste receptacle shall be model GBA.102.00WR.00. One key black RAL 9005 powder coated included.

**OPERATION:**

**Maintenance** - Use provided key from side hole to open the front door to have access to recessed unit. The sliding door-opening limiter prevents the door for extra-overture which may cause damages to the wall / tiles. Place recharge of paper towel packs through the front opening of the dispenser.

The leakproof waste receptacle is removable for servicing: lift slightly and pull forward to remove it from the unit.

**User** - Paper towel dispenser will dispense up to 600 C-fold or multifold (Z-fold) paper towels from the front opening window.

**INSTALLATION:**

Provide framed rough wall opening 50-1/8" height x 10-7/8" width (1273 x 276 mm). Suggested depth to finish face of wall is 4-1/4" (108 mm); minimum recessed depth required is 4".

Allow clearance for construction features that may protrude into rough wall opening from opposite wall and avoid pipes, vents and conduits.

Mount unit into wall opening and secure with provided fixing screws in 4 mounting holes on the recessed cabinet.

**GBA.102.00WR.00**

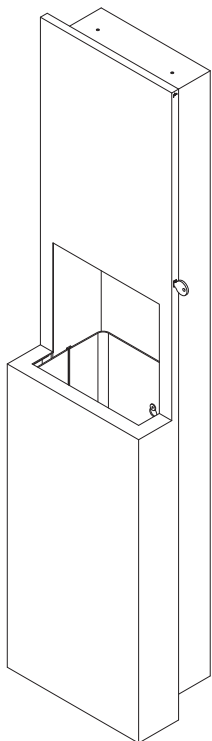
**SPECIFICATION:**

Removable leakproof molded waste receptacle in 5/64" (2 mm) black PST (polystyrene) with a capacity of 7,11 US gal (26,9 L) suitable for item GBA.102.0000.

Dimensions 23-1/8" (H) x 10-3/64" (W) x 7-43/64"(D).

**OPERATION:**

The leakproof waste receptacle is removable for servicing: lift slightly and pull forward to remove it from the unit.



OPENING KEY DETAIL

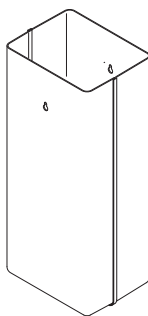


**KEY INCLUDED**

ITEM

**GBA.100.0KEY.40**

REMOVABLE WASTE RECEPTACLE



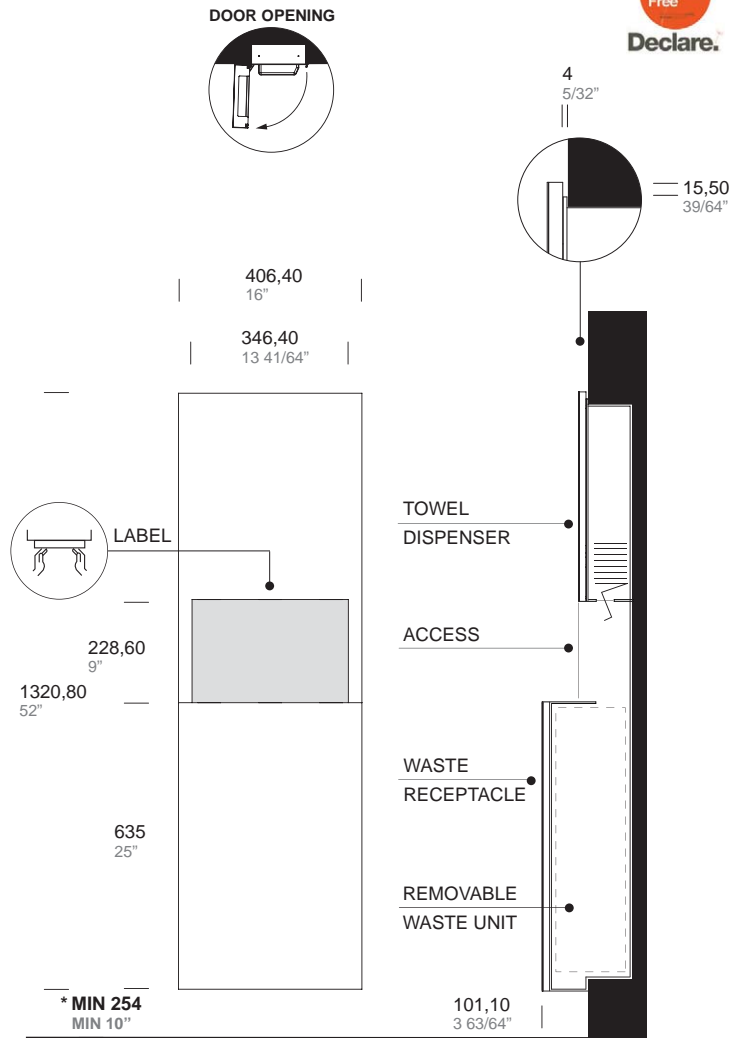
**REMOVABLE WASTE RECEPTACLE  
NOT INCLUDED**

ITEM

**GBA.102.00WR.00**



- Outer surface
- Inner surface



**COMBINATION PAPER TOWEL DISPENSER / WASTE UNIT:**

- RECESSED UNIT WITH WASTE UNIT FOR CONVERTIBLE COMBINATION PAPER TOWEL DISPENSER
- REMOVABLE WASTE RECEPTACLE - NOT INCLUDED

**ITEM**

- GBA.105.0001. xx
- GBA.105.0002. xx
- GBA.105.00WR. xx

**.XX STANDARD COMBINATION OUTER AND INNER SURFACE**

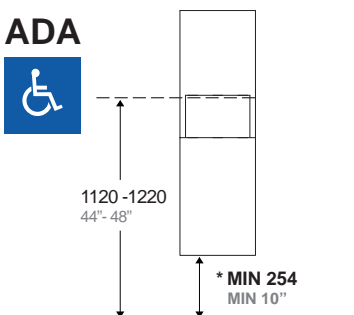
	SATIN	POWDER COATED				
<input type="checkbox"/> OUTER	.44	.31	.38	.39	.32	.40
<input type="checkbox"/> INNER	.XX	.31	.38	.39	.32	.40

**INNER SURFACE FINISH OPTIONS ON REQUEST \***

**ANTI-MICROBIAL COATING** A M C

.99

**ADA**



**SUGGESTED WALL OPENING**  
High: 1271,80 mm (50 5/64")  
Wide: 357,40 mm (14 5/64")  
Max wide: 362,40 mm (14 17/64")

The manufacturer reserves the right to make changes and improvements in designs and dimensions.

\* Minimum order quantity



**GBA.105.0001****SPECIFICATION:**

Convertible combined unit for dispensing paper towel / paper roll and waste unit for recessed installation with final overall dimensions 52" (H) x 16" (W) and 3-63/64" total projection from wall.

GBA.105.0001 includes:

Mounting wall frame in 5/32" (4 mm) thick welded on a all-welded construction in 3/64" (1 mm) thick type 316L stainless steel with powder coated finish for recessed installation.

Bottom front door (waste receptacle) with beautiful non-rounded design made with 1/16" (1,5 mm) and 5/64" (2 mm) thick type 316L stainless steel welded-per-point. Reinforced structure with full height square 19/32" (15 mm) type 316L stainless steel tube. Exposed surfaces of front door have satin finish.

Integrated hinge system to allow the door opening with a minimum gap from the wall (thickness of mounting wall frame).

Unit equipped with a slider door-opening limiter and a concealed closure system which keeps the door closed (not locked). On side rectangular hole allows access to open the unit with provided key.

Removable leakproof molded waste receptacle in 5/64" (2 mm) black PST (polystyrene) to be order separately with a capacity of 8,02 US gal (30,3 L). Waste receptacle shall be model GBA.105.00WR.00. One key black RAL 9005 powder coated included.

**CONVERTIBLE OPTION (to be ordered separately)**

- Upper front door and paper towel dispenser shall be item GBA.105.0002

**OPERATION:**

**GBA.105.0001 + GBA.105.0002** - Use provided key from side hole to open the front door to have access to recessed unit. The sliding door-opening limiter prevents the door for extra-overture which may cause damages to the wall / tiles. Place recharge of paper towel packs through the front opening of the dispenser.

Paper towel dispenser will dispense up to 600 C-fold or multifold (Z-fold) paper towels from the front opening window.

The leakproof waste receptacle is removable for servicing: lift slightly and pull forward to remove it from the unit.

**INSTALLATION:**

Provide framed rough wall opening 50-1/8" height x 14-7/8" width (1273 x 360 mm). Suggested depth to finish face of wall is 4-1/4" (108 mm); minimum recessed depth required is 4".

Allow clearance for construction features that may protrude into rough wall opening from opposite wall and avoid pipes, vents and conduits.

Mount unit into wall opening and secure with provided fixing screws in 4 mounting holes on the recessed cabinet.

**GBA.105.0002****SPECIFICATION:**

Upper front door and paper towel dispenser for convertible combined unit with waste receptacle for recessed installation.

GBA.105.0002 includes:

Paper towel dispenser made in 3/64" (1 mm) thick type 316L stainless steel with powder coated finish. Front door with beautiful non-rounded design made with 1/16" (1,5 mm) and 5/64" (2 mm) thick type 316L stainless steel welded-per-point. Reinforced structure with full height square 19/32" (15 mm) type 316L stainless steel tube. Exposed surfaces of front door have satin finish.

Integrated hinge system to allow the door opening with a minimum gap from the wall (thickness of mounting wall frame).

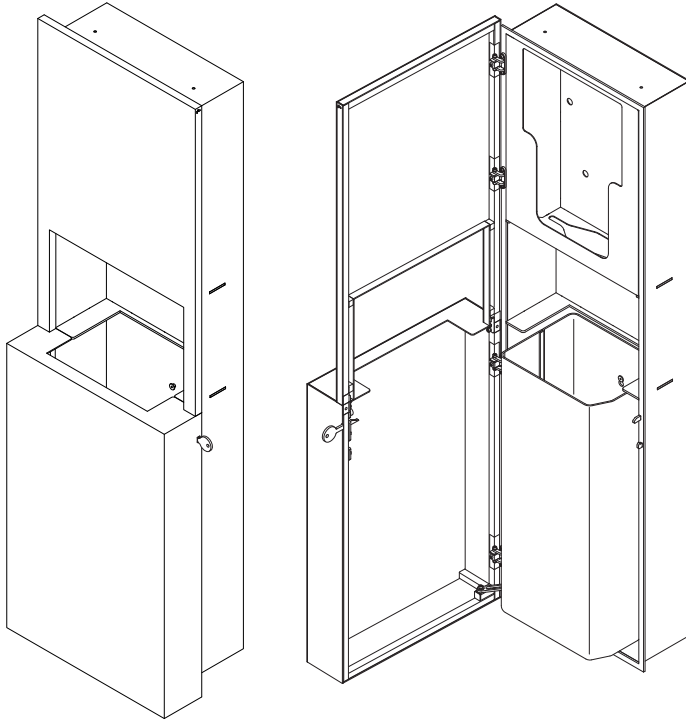
**GBA.105.00WR****SPECIFICATION:**

Removable leakproof molded waste receptacle in 5/64" (2 mm) black PST (polystyrene) with a capacity of 8,02 US gal (30,3 L) suitable for item GBA.105.0001.

Dimensions 23-1/8" (H) x 10-3/64" (W) x 8-37/64"(D).

**OPERATION:**

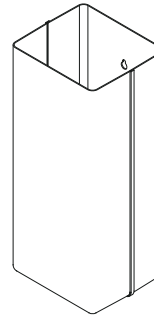
The leakproof waste receptacle is removable for servicing: lift slightly and pull forward to remove it from the unit.



OPENING KEY DETAIL



REMOVABLE WASTE RECEPTACLE



**KEY INCLUDED**

ITEM

**GBA.100.0KEY.40**

**REMOVABLE WASTE  
RECEPTACLE NOT INCLUDED**

ITEM

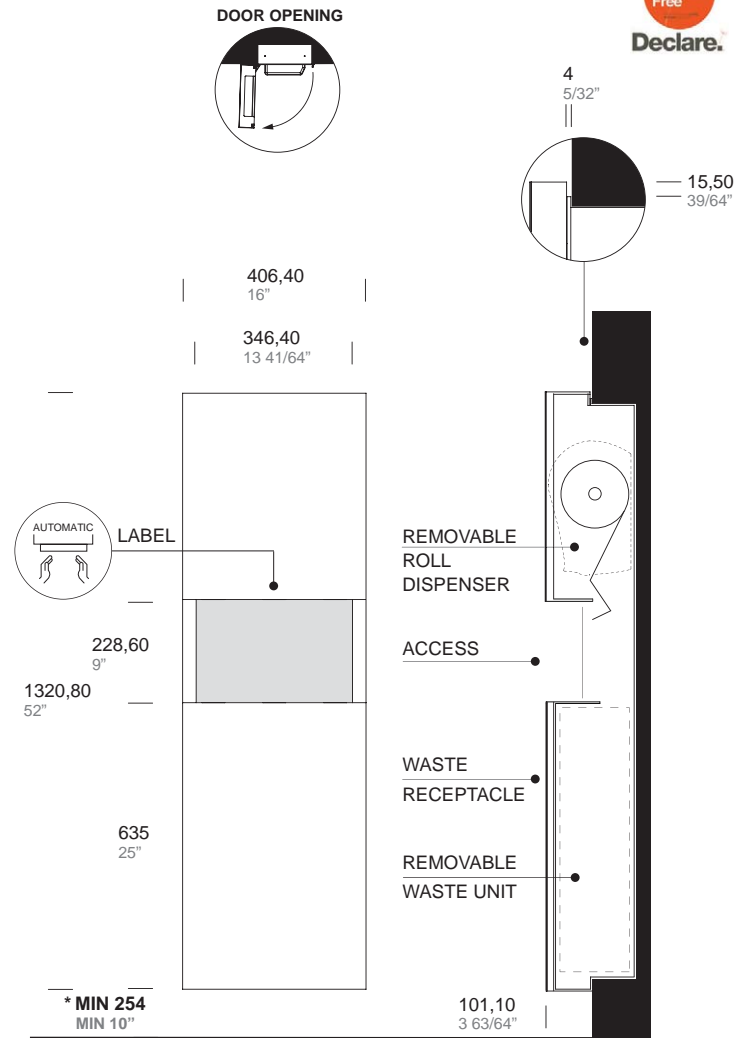
**GBA.105.00WR.00**



This product contributes to LEED® credit



□ Outer surface  
■ Inner surface



**COMBINATION PAPER TOWEL ROLL DISPENSER / WASTE UNIT:**

- RECESSED UNIT WITH WASTE UNIT FOR CONVERTIBLE COMBINATION PAPER TOWEL ROLL DISPENSER**
- REMOVABLE WASTE RECEPTACLE - NOT INCLUDED**
- REMOVABLE AUTOMATIC ROLL DISPENSER - NOT INCLUDED**

**ITEM**

- GBA.105.0001. xx**
- GBA.105.0003. xx**
- GBA.105.00WR. xx**
- GBA.105.0ETD. xx**

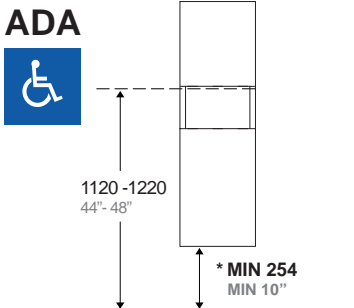
**.XX STANDARD COMBINATION OUTER AND INNER SURFACE**

	SATIN	POWDER COATED				
	.44	.31	.38	.39	.32	.40
□ OUTER						
	POWDER COATED					
	.XX	.31	.38	.39	.32	.40
□ INNER						

**INNER SURFACE FINISH OPTIONS ON REQUEST \***

**ANTI-MICROBIAL COATING** A M C

.99				
-----	--	--	--	--



**SUGGESTED WALL OPENING**  
High: 1271,80 mm (50 5/64")  
Wide: 357,40 mm (14 5/64")  
Max wide: 362,40 mm (14 17/64")

The manufacturer reserves the right to make changes and improvements in designs and dimensions.

\* Minimum order quantity



**GBA.105.0001****SPECIFICATION:**

Convertible combined unit for dispensing paper towel / paper roll and waste unit for recessed installation with final overall dimensions 52" (H) x 16" (W) and 3-63/64" total projection from wall.

GBA.105.0001 includes:

Mounting wall frame in 5/32" (4 mm) thick welded on a all-welded construction in 3/64" (1 mm) thick type 316L stainless steel with powder coated finish for recessed installation.

Bottom front door (waste receptacle) with beautiful non-rounded design made with 1/16" (1,5 mm) and 5/64" (2 mm) thick type 316L stainless steel welded-per-point. Reinforced structure with full height square 19/32" (15 mm) type 316L stainless steel tube. Exposed surfaces of front door have satin finish.

Integrated hinge system to allow the door opening with a minimum gap from the wall (thickness of mounting wall frame).

Unit equipped with a slider door-opening limiter and a concealed closure system which keeps the door closed (not locked). On side rectangular hole allows access to open the unit with provided key.

Removable leakproof molded waste receptacle in 5/64" (2 mm) black PST (polystyrene) to be order separately with a capacity of 8,02 US gal (30,3 L). Waste receptacle shall be model GBA.105.00WR.00. One key black RAL 9005 powder coated included.

**CONVERTIBLE OPTION (to be ordered separately)**

- Upper front door for paper roll shall be item GBA.105.0003 compatible with touchless paper roll dispenser GBA.105.0ETD.

**OPERATION:**

**GBA.105.0001 + GBA.105.0003 + GBA.105.0ETD** - Use provided key from side hole to open the front door to have access to recessed unit.

The sliding door-opening limiter prevents the door for extra-overture which may cause damages to the wall / tiles. Open touchless dispenser with provided plastic key and place recharge of paper roll. Paper roll dispenser houses paper rolls up to Ø 8" H 8-1/2".

The leakproof waste receptacle is removable for servicing: lift slightly and pull forward to remove it from the unit.

**INSTALLATION:**

Provide framed rough wall opening 50-1/8" height x 14-7/8" width (1273 x 360 mm). Suggested depth to finish face of wall is 4-1/4" (108 mm); minimum recessed depth required is 4".

Allow clearance for construction features that may protrude into rough wall opening from opposite wall and avoid pipes, vents and conduits.

Mount unit into wall opening and secure with provided fixing screws in 4 mounting holes on the recessed cabinet.

**GBA.105.0003****SPECIFICATION:**

Upper front door for convertible paper roll dispenser combined unit with waste receptacle for recessed installation.

GBA.105.0003 includes:

Front door with beautiful non-rounded design made with 1/16" (1,5 mm) and 5/64" (2 mm) thick type 316L stainless steel welded-per-point.

Reinforced structure with full height square 19/32" (15 mm) type 316L stainless steel tube. Exposed surfaces of front door have satin finish.

Integrated hinge system to allow the door opening with a minimum gap from the wall (thickness of mounting wall frame).

**CONVERTIBLE OPTION (to be ordered separately)**

- Recessed unit with waste receptacle shall be item GBA.105.0001

- Touchless paper roll dispenser shall be item GBA.105.0ETD

**GBA.105.0ETD****SPECIFICATION:**

Touchless paper roll dispenser compatible with paper rolls up to Ø8" H 8-1/2" suitable for item GBA.105.0003, GBA.106.0003.

Overall dimensions 14-5/64" (H) x 12-11/16" (W) x 8-3/4"(D).

Power supply with four type D batteries.

**OPERATION:**

Open touchless dispenser with provided plastic key and place recharge of paper roll. Paper roll dispenser houses paper rolls up to Ø 8" H 8-1/2".

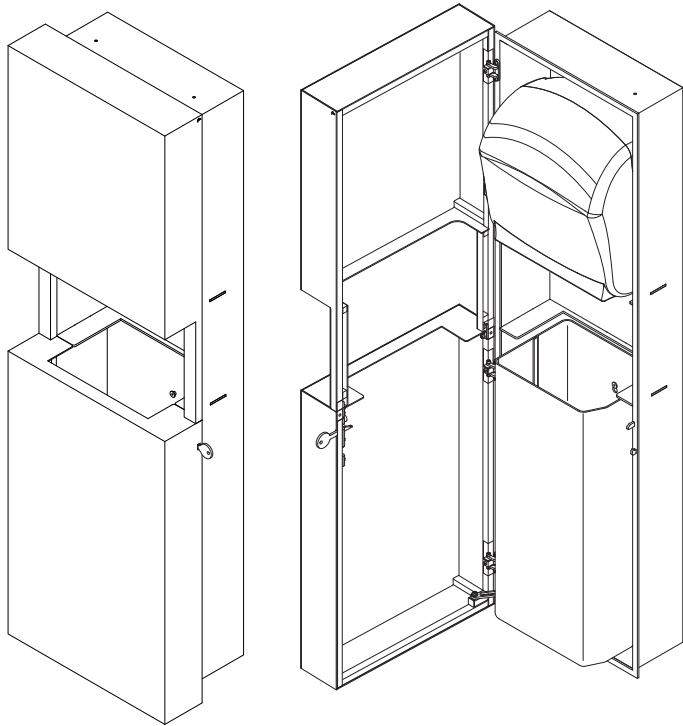
**GBA.105.00WR****SPECIFICATION:**

Removable leakproof molded waste receptacle in 5/64" (2 mm) black PST (polystyrene) with a capacity of 8,02 US gal (30,3 L) suitable **for item** GBA.105.0001.

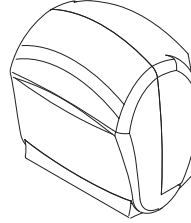
Dimensions 23-1/8" (H) x 10-3/64" (W) x 8-37/64"(D).

**OPERATION:**

The leakproof waste receptacle is removable for servicing: lift slightly and pull forward to remove it from the unit.



REMOVABLE AUTOMATIC ROLL  
DISPENSER



**REMOVABLE AUTOMATIC ROLL  
DISPENSER NOT INCLUDED**

ITEM

**GBA.105.0ETD.00**

OPENING KEY DETAIL

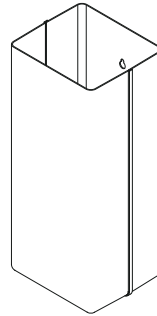


**KEY INCLUDED**

ITEM

**GBA.100.0KEY.40**

REMOVABLE WASTE RECEPTACLE



**REMOVABLE WASTE  
RECEPTACLE NOT INCLUDED**

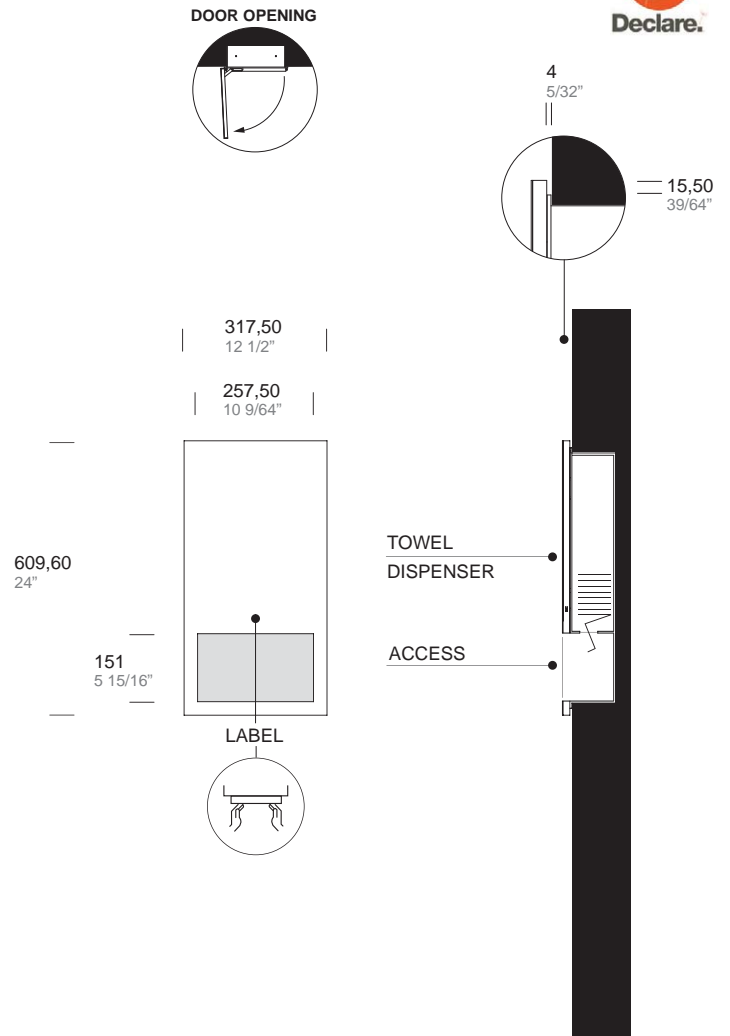
ITEM

**GBA.105.00WR.00**



PAPER TOWEL DISPENSER



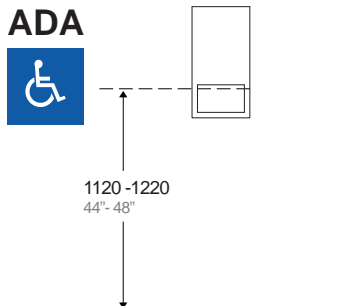


□ Outer surface  
■ Inner surface

**PAPER TOWEL DISPENSER - RECESSED**

ITEM

**GBA.103.0000. xx**



**SUGGESTED WALL OPENING**  
High: 560,60 mm (22 5/64")  
Wide: 268,50 mm (10 37/64")  
Max wide: 273,50 mm (10 49/64")

**.XX STANDARD COMBINATION OUTER AND INNER SURFACE**

	SATIN	POWDER COATED				
□ OUTER	.44	.31	.38	.39	.32	.40
□ INNER	.XX	.31	.38	.39	.32	.40

**INNER SURFACE FINISH OPTIONS ON REQUEST \***

**ANTI-MICROBIAL COATING** **A M C**

.99				
-----	--	--	--	--

\* Minimum order quantity



**SPECIFICATION:**

Paper towel dispenser for recessed installation with overall dimensions 24" (H) x 12-1/2" (W) and 53/64" total projection from wall. Mounting wall frame in 5/32" (4 mm) thick welded on a all-welded construction in 3/64" (1 mm) thick type 316L stainless steel with powder coated finish. Integrated paper towel dispenser which shall dispense up to 600 C-fold or multifold (Z-fold) paper towels. Front door with beautiful non-rounded design made with 1/16" (1,5 mm) and 5/64" (2 mm) thick type 316L stainless steel welded-per-point. Reinforced structure with full height square 19/32" (15 mm) type 316L stainless steel tube. Exposed surfaces of front door have satin finish. Integrated hinge system to allow the door opening with a minimum gap from the wall (thickness of mounting wall frame). Unit equipped with a slider door-opening limiter and a concealed closure system which keeps the door closed (not locked). On side rectangular hole allows access to open the unit with the key black RAL 9005 powder coated included.

**OPERATION:**

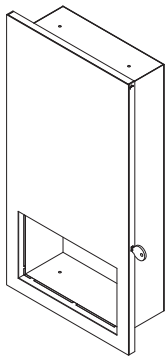
**Maintenance** - Use provided key from side hole to open the front door to have access to recessed unit. The sliding door-opening limiter prevents the door for extra-overture which may cause damages to the wall / tiles. Place recharge of paper towel packs through the front opening of the dispenser.

**User** - Paper towel dispenser will dispense up to 600 C-fold or multifold (Z-fold) paper towels from the front opening window.

**INSTALLATION:**

Provide framed rough wall opening 22-1/8" height x 10-7/8" width (562 x 276 mm). Suggested depth to finish face of wall is 4-1/4" (108 mm); minimum recessed depth required is 4".

Allow clearance for construction features that may protrude into rough wall opening from opposite wall and avoid pipes, vents and conduits. Mount unit into wall opening and secure with provided fixing screws in 4 mounting holes on the recessed cabinet.



OPENING KEY DETAIL



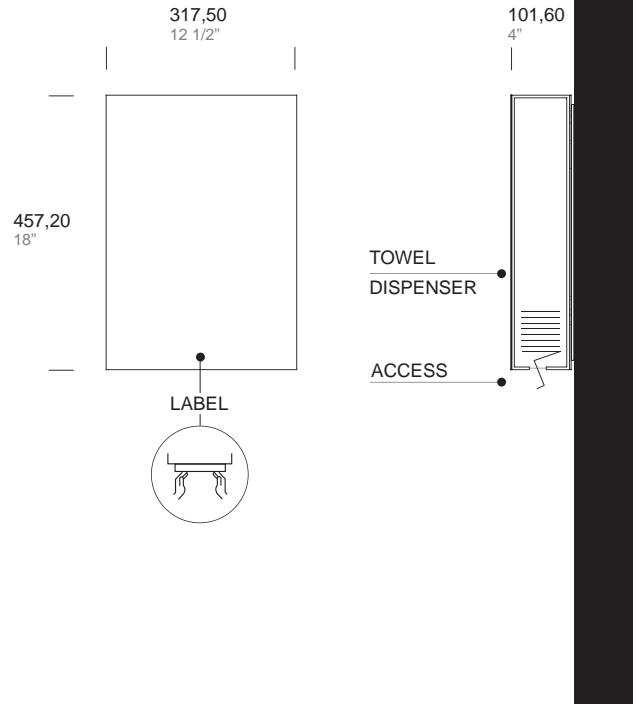
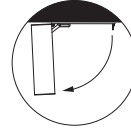
**KEY INCLUDED**

ITEM

**GBA.100.0KEY.40**



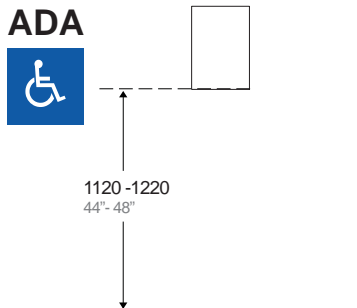
DOOR OPENING



**PAPER TOWEL DISPENSER - SURFACE MOUNTED**

ITEM

**GBA.104.0000. xx**



**.XX STANDARD FINISH**

**STAINLESS STEEL AISI 316L**

**POWDER COATED FINISH**

**.44 SATIN**



**.31**



**.38**



**.39**



**.32**



**.40**



**ANTI-MICROBIAL COATING**

**A M C**

**.99**



The manufacturer reserves the right to make changes and improvements in designs and dimensions.



**SPECIFICATION:**

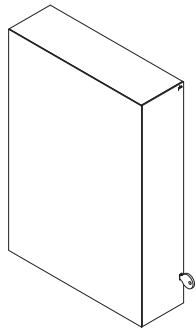
Paper towel dispenser for surface mounted installation with overall dimensions 18" (H) x 12-1/2" (W) and 4" total projection from wall. Mounting wall plate in 5/32" (4 mm) thick type 316L stainless steel with powder coated finish. Front door with beautiful non-rounded design made with 1/16" (1,5 mm) and 5/64" (2 mm) thick type 316L stainless steel welded-per-point with integrated paper towel dispenser which shall dispense up to 600 C-fold or multifold (Z-fold) paper towels. Reinforced structure with full height square 19/32" (15 mm) type 316L stainless steel tube. Exposed surfaces of front door have satin finish. Integrated hinge system to allow the door opening with a minimum gap from the wall (thickness of mounting wall frame). Unit equipped with a slider door-opening limiter and a concealed closure system which keeps the door closed (not locked). On side rectangular hole allows access to open the unit with the key black RAL 9005 powder coated included.

**OPERATION:**

**Maintenance** - Use provided key from side hole to open the front door to have access to recessed unit. The sliding door-opening limiter prevents the door for extra-overture which may cause damages to the wall / tiles. Place recharge of paper towel packs through the opening of the dispenser located on the back side of the door.  
**User** - Paper towel dispenser will dispense up to 600 C-fold or multifold (Z-fold) paper towels from the front opening window.

**INSTALLATION:**

Use wall plate as template to mark holes in desired mounting location. For plaster or dry wall construction, provide concealed backing to comply with local building codes, then secure using provided fixing screws. For concrete wall or other wall surfaces use provided fixing screws and plugs.



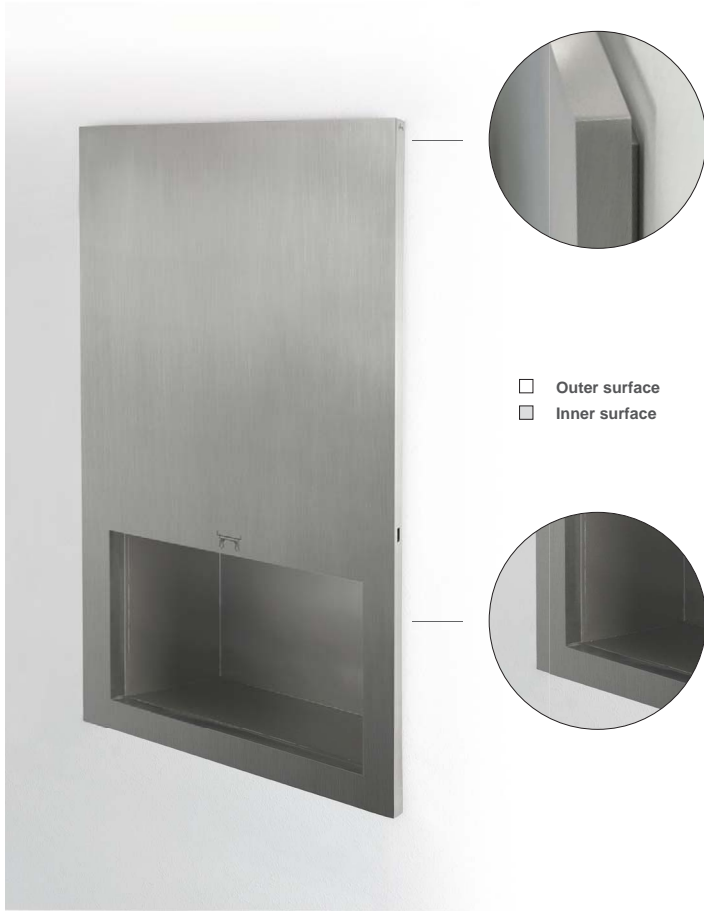
OPENING KEY DETAIL



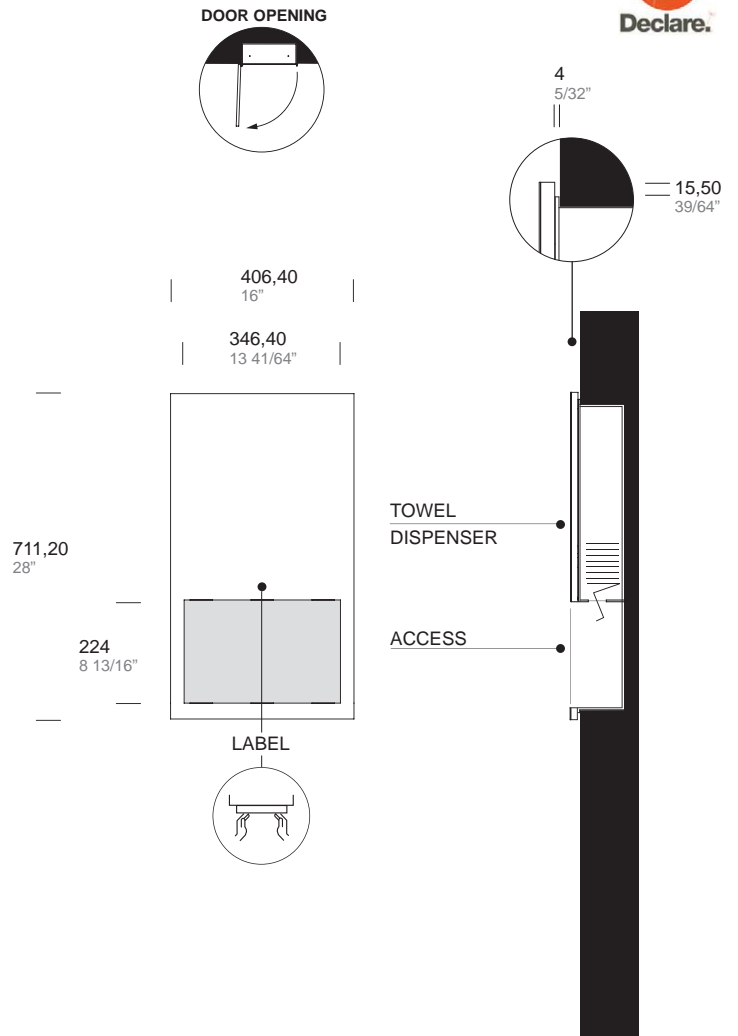
**KEY INCLUDED**

ITEM

**GBA.100.0KEY.40**



Outer surface  
 Inner surface



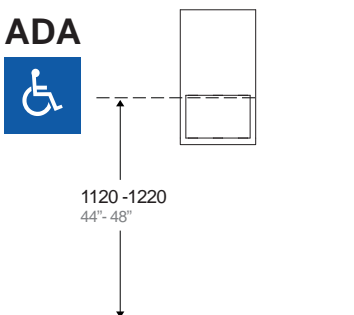
**PAPER TOWEL DISPENSER:  
RECESSED UNIT FOR CONVERTIBLE PAPER TOWEL DISPENSER  
PAPER TOWEL DISPENSER + DOOR FOR CONVERTIBLE UNIT**

ITEM

**GBA.106.0001. xx**

**GBA.106.0002. xx**

**ADA**



**SUGGESTED WALL OPENING**  
High: 662,20 mm (26 5/64")  
Wide: 357,40 mm (14 5/64")  
Max wide: 362,40 mm (14 17/64")

**.XX STANDARD COMBINATION OUTER AND INNER SURFACE**

	SATIN		POWDER COATED			
	.44	.31	.38	.39	.32	.40
<input type="checkbox"/> OUTER						
<input type="checkbox"/> INNER						

**INNER SURFACE FINISH OPTIONS ON REQUEST \***

**ANTI-MICROBIAL COATING** **A M C**

.99				
-----	--	--	--	--

\* Minimum order quantity





**GBA.106.0001**

**SPECIFICATION:**

Convertible combined unit for dispensing paper towel / paper roll for recessed installation with final overall dimensions 28" (H) x 16" (W). Projection from wall: 53/64" in paper towel configuration ; 3-63/64" in paper roll configuration.

GBA.106.0001 includes:

Mounting wall frame in 5/32" (4 mm) thick welded on a all-welded construction in 3/64" (1 mm) thick type 316L stainless steel with powder coated finish for recessed installation.

**CONVERTIBLE OPTION (to be ordered separately)**

- Front door and paper towel dispenser shall be item GBA.106.0002

**OPERATION:**

**GBA.106.0001 + GBA.106.0002** - Use provided key from side hole to open the front door to have access to recessed unit. The sliding door-opening limiter prevents the door for extra-overture which may cause damages to the wall / tiles. Place recharge of paper towel packs through the front opening of the dispenser.

Paper towel dispenser will dispense up to 600 C-fold or multifold (Z-fold) paper towels from the front opening window.

**INSTALLATION:**

Provide framed rough wall opening 22-1/8" height x 10-7/8" width (562 x 276 mm). Suggested depth to finish face of wall is 4-1/4" (108 mm); minimum recessed depth required is 4".

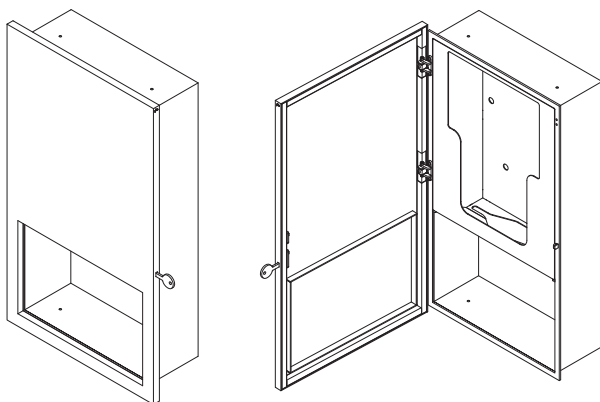
Allow clearance for construction features that may protrude into rough wall opening from opposite wall and avoid pipes, vents and conduits.

Mount unit into wall opening and secure with provided fixing screws in 4 mounting holes on the recessed cabinet.

**GBA.106.0002**

**SPECIFICATION:**

Door and paper towel dispenser for convertible unit. GBA.106.0002 includes: Paper towel dispenser made in 3/64" (1 mm) thick type 316L stainless steel with powder coated finish. Front door with beautiful non-rounded design made with 1/16" (1,5 mm) and 5/64" (2 mm) thick type 316L stainless steel welded-per-point. Reinforced structure with full height square 19/32" (15 mm) type 316L stainless steel tube. Exposed surfaces of front door have satin finish. Integrated hinge system to allow the door opening with a minimum gap from the wall (thickness of mounting wall frame).



OPENING KEY DETAIL



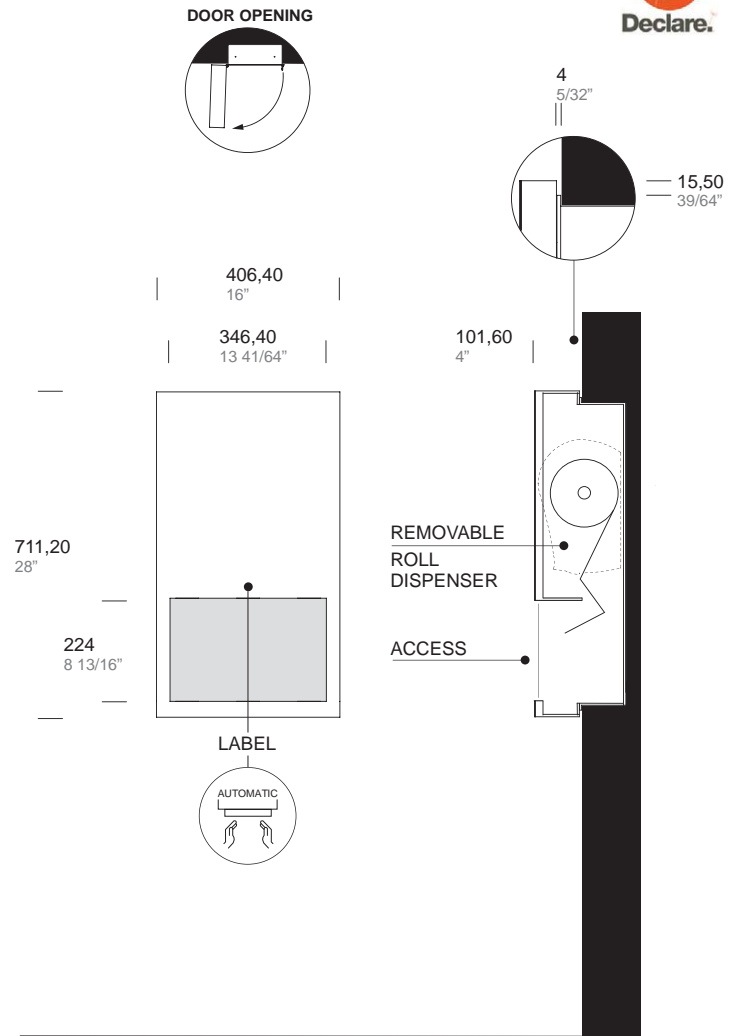
**KEY INCLUDED**

ITEM

**GBA.100.0KEY.40**



□ Outer surface  
■ Inner surface

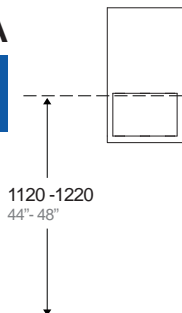


**PAPER TOWEL ROLL DISPENSER:**  
**RECESSED UNIT FOR CONVERTIBLE PAPER TOWEL ROLL DISPENSER**  
**DOOR FOR CONVERTIBLE PAPER TOWEL ROLL UNIT**  
**REMOVABLE AUTOMATIC ROLL DISPENSER - NOT INCLUDED**

ITEM

**GBA.106.0001. xx**  
**GBA.106.0003. xx**  
**GBA.105.0ETD.00**

**ADA**



**SUGGESTED WALL OPENING**  
High: 662,20 mm (26 5/64")  
Wide: 357,40 mm (14 5/64")  
Max wide: 362,40 mm (14 17/64")

**.XX STANDARD COMBINATION OUTER AND INNER SURFACE**

	SATIN		POWDER COATED				
□ OUTER	.44		.31	.38	.39	.32	.40
□ INNER	.XX		.31	.38	.39	.32	.40

**INNER SURFACE FINISH OPTIONS ON REQUEST \***

**ANTI-MICROBIAL COATING** **A M C**

.99				
-----	--	--	--	--

\* Minimum order quantity



**GBA.106.0001**

**SPECIFICATION:**

Convertible combined unit for dispensing paper towel / paper roll for recessed installation with final overall dimensions 28" (H) x 16" (W). Projection from wall: 53/64" in paper towel configuration ; 3-63/64" in paper roll configuration.

GBA.106.0001 includes:

Mounting wall frame in 5/32" (4 mm) thick welded on a all-welded construction in 3/64" (1 mm) thick type 316L stainless steel with powder coated finish for recessed installation.

**CONVERTIBLE OPTION (to be ordered separately)**

- Front door for paper roll shall be item GBA.106.0003 compatible with touchless paper roll dispenser GBA.105.0ETD.

**OPERATION:**

**GBA.106.0001 + GBA.106.0003 + GBA.105.0ETD** - Use provided key from side hole to open the front door to have access to recessed unit. The sliding door-opening limiter prevents the door for extra-overture which may cause damages to the wall / tiles. Open touchless dispenser with provided plastic key and place recharge of paper roll. Paper roll dispenser houses paper rolls up to Ø 8" H 8-1/2".

**INSTALLATION:**

Provide framed rough wall opening 22-1/8" height x 10-7/8" width (562 x 276 mm). Suggested depth to finish face of wall is 4-1/4" (108 mm); minimum recessed depth required is 4".

Allow clearance for construction features that may protrude into rough wall opening from opposite wall and avoid pipes, vents and conduits. Mount unit into wall opening and secure with provided fixing screws in 4 mounting holes on the recessed cabinet.

**GBA.106.0003**

**SPECIFICATION:**

Door for convertible paper roll dispenser GBA.106.0003 includes: Front door with beautiful non-rounded design made with 1/16" (1,5 mm) and 5/64" (2 mm) thick type 316L stainless steel welded-per-point. Reinforced structure with full height square 19/32" (15 mm) type 316L stainless steel tube. Exposed surfaces of front door have satin finish.

Integrated hinge system to allow the door opening with a minimum gap from the wall (thickness of mounting wall frame).

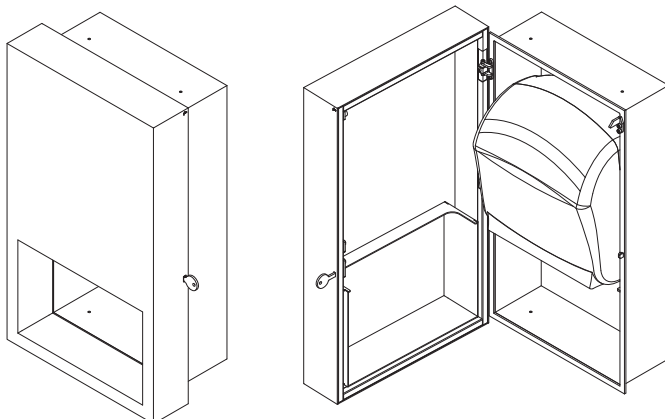
**GBA.105.0ETD**

**SPECIFICATION:**

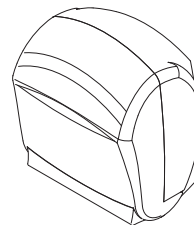
Touchless paper roll dispenser compatible with paper rolls up to Ø8" H 8-1/2" suitable for item GBA.105.0003, GBA.106.0003. Overall dimensions 14-5/64" (H) x 12-11/16" (W) x 8-3/4"(D). Power supply with four type D batteries.

**OPERATION:**

Open touchless dispenser with provided plastic key and place recharge of paper roll. Paper roll dispenser houses paper rolls up to Ø 8" H 8-1/2".



REMOVABLE AUTOMATIC ROLL DISPENSER



OPENING KEY DETAIL



**REMOVABLE AUTOMATIC ROLL DISPENSER NOT INCLUDED**

ITEM

**GBA.105.0ETD.00**

**KEY INCLUDED**

ITEM

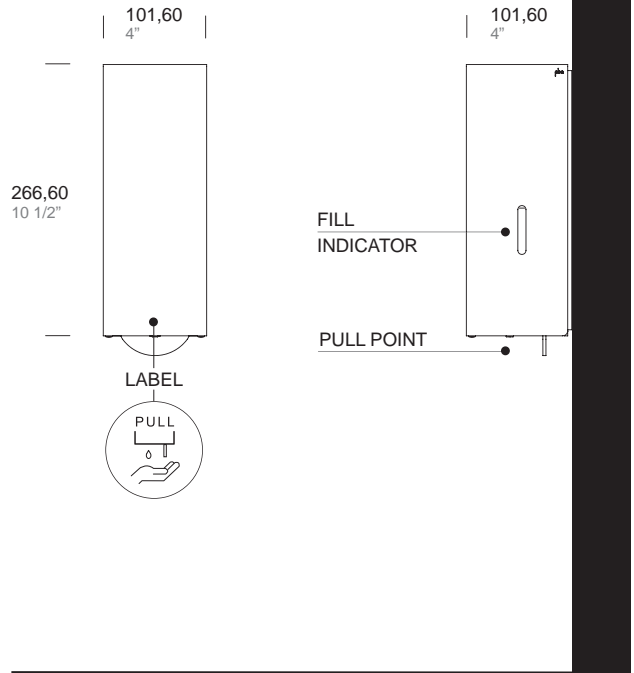
**GBA.100.0KEY.40**





SOAP DISPENSER

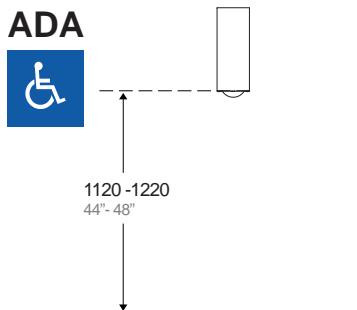




**SOAP DISPENSER - MANUALLY OPERATED - SURFACE MOUNTED**

ITEM

**GBA.107.0000.xx**



**.XX STANDARD FINISH**

**STAINLESS STEEL AISI 316L**

**POWDER COATED FINISH**

**.44 SATIN**



**.31**



**.38**



**.39**



**.32**



**.40**



**ANTI-MICROBIAL COATING**

**A M C**

**.99**



The manufacturer reserves the right to make changes and improvements in designs and dimensions.

**SPECIFICATION:**

Soap dispenser - manually operated for surface mounted installation with overall dimensions 10-1/2" (H) x 4" (W) and 4-5/64" total projection from wall.

Mounting wall frame in 5/32" (4 mm) thick type 316L stainless steel with powder coated finish. Welded cover with beautiful non-rounded design and operating lever made with 5/64" (2 mm) thick type 316L stainless steel. Exposed surfaces have satin finish.

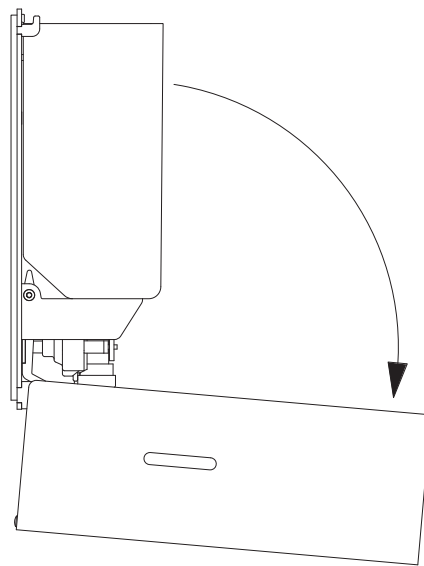
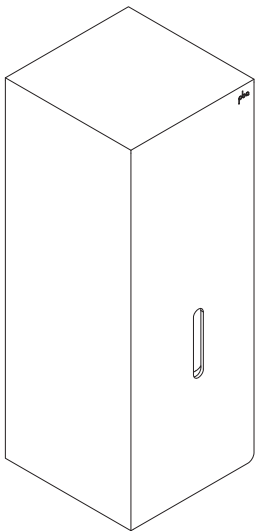
Refillable plastic container with plastic pump.

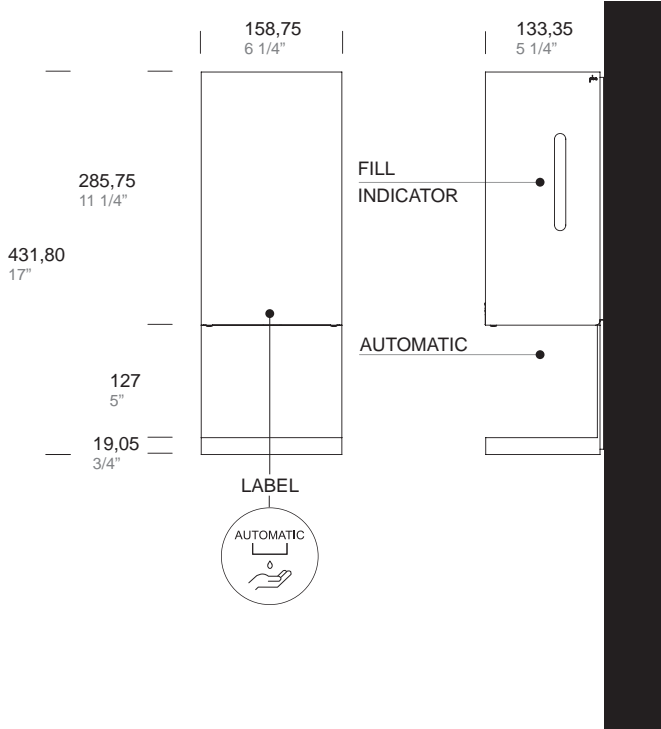
**OPERATION:**

The side fill indicator shows how much product is remaining in the dispenser. To refill it, open the cover by lifting and pulling forward, rotating it. The plastic container can be removed and re-installed for quick and easy refilling of up to 0,32 US gal (1,2 L) of liquid soap. Alternatively, soap can be poured directly into the plastic container.

**INSTALLATION:**

Open the dispenser cover, to remove the plastic container push the white stop on the top and carefully lifting it and pulling forward. Remove the pump plate to have access to mounting holes. Use wall plate as template to mark holes in desired mounting location and secure with provided fixing screws and plugs.

REFILLABLE SOAP DISPENSER**REFILLABLE SOAP DISPENSER  
INCLUDED**

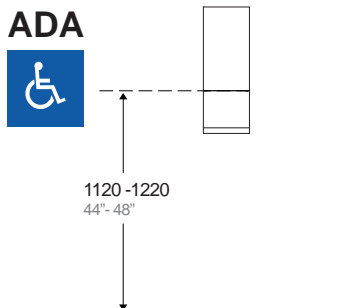


**AUTOMATIC SOAP DISPENSER WITH DRIP TRAY - SURFACE MOUNTED**  
**REMOVABLE TOUCHLESS SOAP DISPENSER - NOT INCLUDED**

ITEM

**GBA.108.0001. xx**

**GBA.108.0ESD.00**



**.XX STANDARD FINISH**

**STAINLESS STEEL AISI 316L**

**POWDER COATED FINISH**

**.44 SATIN**



**.31**



**.38**



**.39**



**.32**



**.40**



**ANTI-MICROBIAL COATING**

**A M C**

**.99**



The manufacturer reserves the right to make changes and improvements in designs and dimensions.



**SPECIFICATION:**

Surface Mounted stainless steel cover with drip tray for touchless soap dispenser. Overall dimensions 17" (H) x 6-1/4" (W) and 5-1/4" total projection from wall.

Welded cover and drip tray with beautiful non-rounded design made with 5/64" (2 mm) thick type 316L stainless steel and wall plate made with 5/32" (4 mm) thick type 316L stainless steel. Exposed surfaces have satin finish.

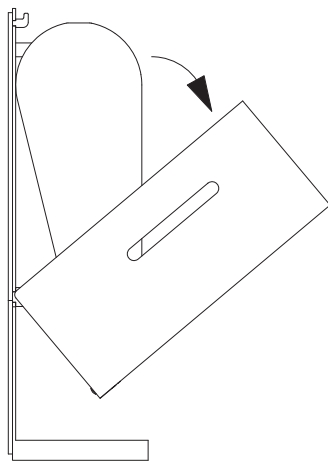
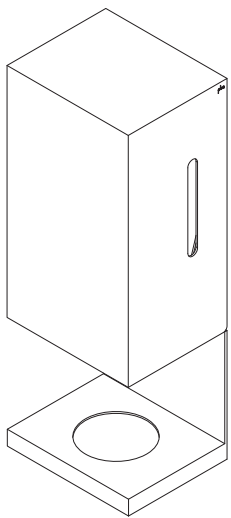
Touchless liquid soap dispenser (sold separately) shall be item GBA.108.0ESP.

**OPERATION:**

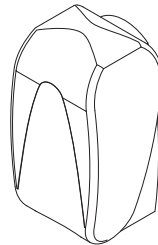
The side fill indicator shows how much product is remaining in the dispenser. To refill it, open the cover by lifting and pulling forward, rotating it. Then, using the provided plastic key open the touchless dispenser and open the cap to refill the container. The plastic container can be removed and re-installed for quick and easy refilling of up to 0,13 US gal (0,5 L) of liquid soap.

**INSTALLATION:**

Open the dispenser cover, use wall plate as template to mark holes in desired mounting location and secure with provided fixing screws and plugs. Then attach the touchless dispenser into the cover with provided adhesive strips.



REMOVABLE TOUCHLESS SOAP DISPENSER



**REMOVABLE TOUCHLESS SOAP DISPENSER NOT INCLUDED**

ITEM

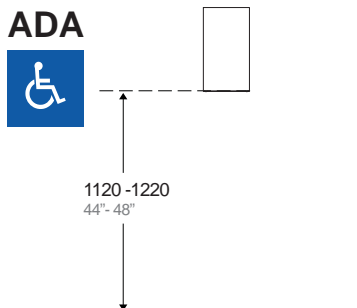
**GBA.108.0ESD.00**



**AUTOMATIC SOAP DISPENSER - SURFACE MOUNTED**  
**REMOVABLE TOUCHLESS SOAP DISPENSER - NOT INCLUDED**

ITEM

**GBA.108.0002. xx**  
**GBA.108.0ESD.00**



**.XX STANDARD FINISH**

**STAINLESS STEEL AISI 316L**

**POWDER COATED FINISH**

**.44 SATIN**



**.31 .38 .39 .32 .40**



**ANTI-MICROBIAL COATING** **A M C**

**.99**



The manufacturer reserves the right to make changes and improvements in designs and dimensions.





**SPECIFICATION:**

Surface Mounted stainless steel cover for touchless soap dispenser. Overall dimensions 11-1/4" (H) x 6-1/4" (W) and 5-1/4" total projection from wall.

Welded cover with beautiful non-rounded design made with 5/64" (2 mm) thick type 316L stainless steel and wall plate made with 5/32" (4 mm) thick type 316L stainless steel. Exposed surfaces have satin finish.

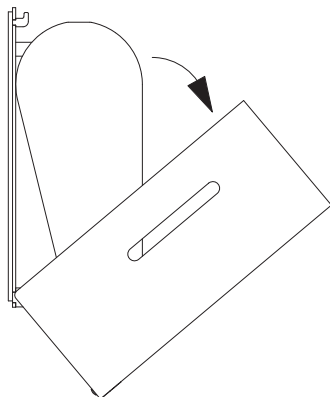
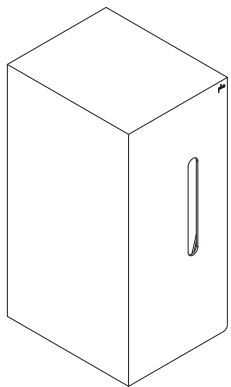
Touchless liquid soap dispenser (sold separately) shall be item GBA.108.0ESP.

**OPERATION:**

The side fill indicator shows how much product is remaining in the dispenser. To refill it, open the cover by lifting and pulling forward, rotating it. Then, using the provided plastic key open the touchless dispenser and open the cap to refill the container. The plastic container can be removed and re-installed for quick and easy refilling of up to 0,13 US gal (0,5 L) of liquid soap.

**INSTALLATION:**

Open the dispenser cover, use wall plate as template to mark holes in desired mounting location and secure with provided fixing screws and plugs. Then attach the touchless dispenser into the cover with provided adhesive strips.



REMOVABLE TOUCHLESS SOAP DISPENSER



**REMOVABLE TOUCHLESS SOAP DISPENSER NOT INCLUDED**

ITEM

**GBA.108.0ESD.00**

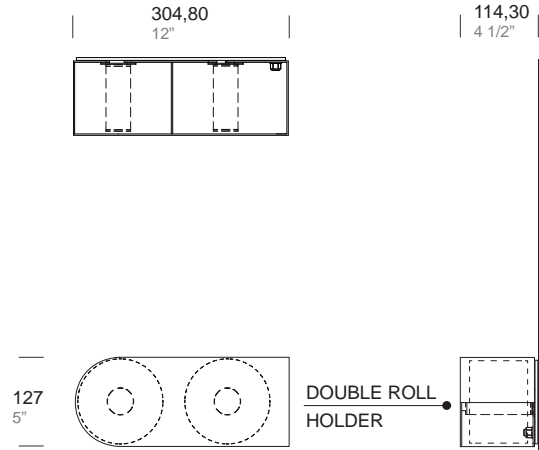




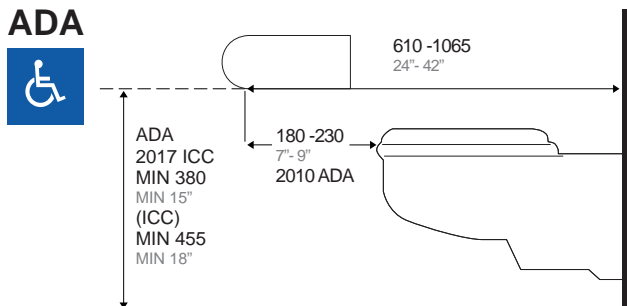
TOILET TISSUE DISPENSER



RIGHT



**TOILET TISSUE DISPENSER DOUBLE SMALL ROLL - COVERED SURFACE MOUNTED**



ITEM

**GBA.111.0000. xx.1**  
RIGHT



**GBA.111.0000. xx.2**  
LEFT



**.XX STANDARD FINISH**

**STAINLESS STEEL AISI 316L**

**POWDER COATED FINISH**

**.44 SATIN**



**.31**

**.38**

**.39**

**.32**

**.40**



**ANTI-MICROBIAL COATING**

**A M C**

**.99**



The manufacturer reserves the right to make changes and improvements in designs and dimensions.



**SPECIFICATION:**

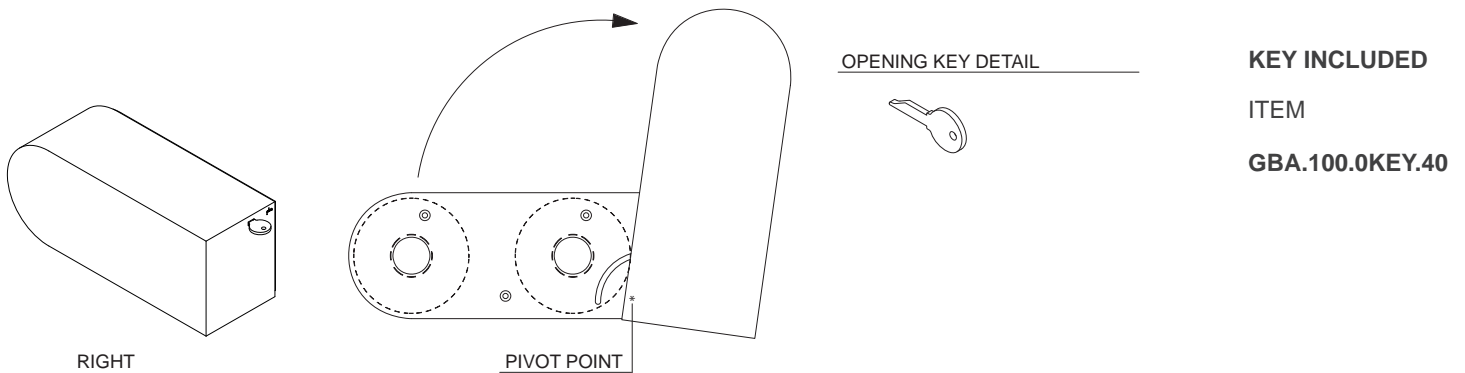
Double small roll toilet tissue dispenser with overall dimensions 12" W x 5" H and 4-1/2" total projection from wall.  
 Mounting plate in 5/32" (4 mm) thick type 316L stainless steel with grey RAL 9007 powder coated finish.  
 Door with beautiful non-rounded design made with 5/64" (2 mm) thick type 316L stainless steel all-welded in satin finish.  
 Removable spindle adapter to allow use of roll with large core.  
 The dispenser accommodates one toilet tissue roll up to 10" (254 mm) diameter with standard core 1-5/8" (40 mm) diameter or 3" (75 mm) using the provided spindle adapter.  
 Right and left version available.

**OPERATION:**

Use provided key from side hole to open, lift up and rotate the door to open and have access to the roll for replacing. Spindle or adapter can accommodate one toilet tissue roll up to 10" (254 mm) diameter.

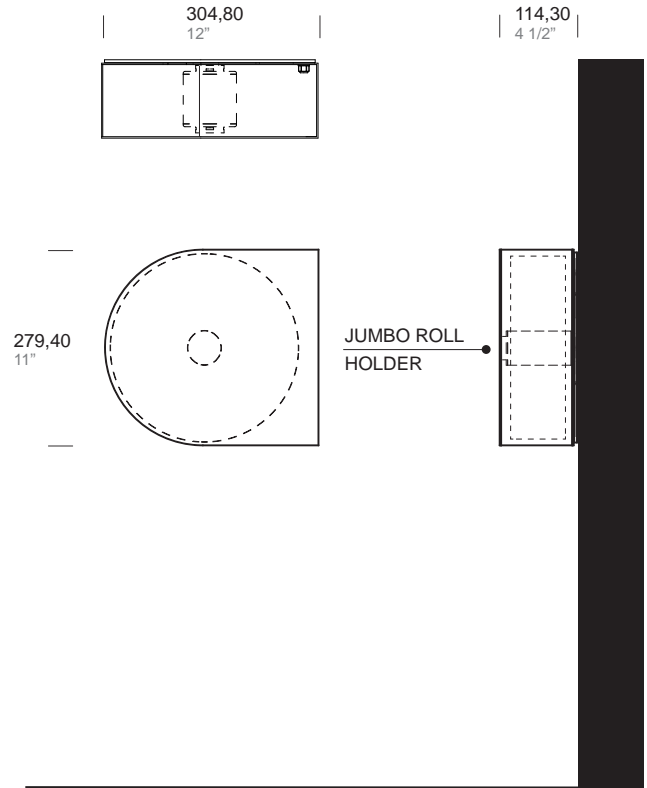
**INSTALLATION:**

Place unit on wall in desired mounting position and use mounting holes as template to mark holes location.  
 For plaster or dry wall construction, provide concealed backing to comply with local building codes, then secure with screws (not furnished).  
 For other wall surfaces provide fiber plugs or expansion shields for use with screws (not furnished).  
 For partitions with particle-board or other solid core, secure with sheet-metal screws (not furnished).  
 For hollow-core metal partitions, provide solid backing into which the sheet-metal screws can be secured.  
 If two units are installed back-to-back, then provide threaded sleeves and machine screws for the full thickness of partition; back-to-back installation is possible for 1 right and 1 left version of item.

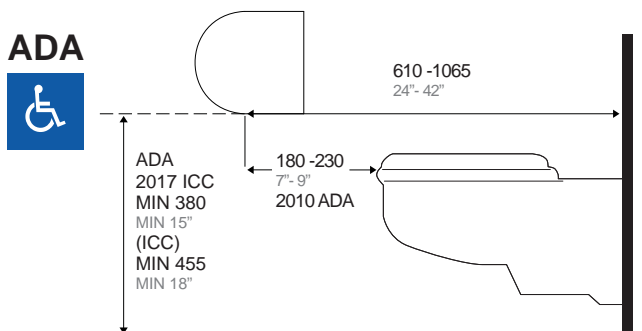


**KEY INCLUDED**  
ITEM  
**GBA.100.0KEY.40**



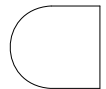


**TOILET TISSUE DISPENSER - LARGE ROLL  
SURFACE MOUNTED**

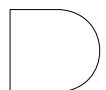


ITEM

**GBA.112.0000.** xx.1  
RIGHT



**GBA.112.0000.** xx.2  
LEFT



**.XX STANDARD FINISH**

**STAINLESS STEEL AISI 316L**

**POWDER COATED FINISH**

**.44 SATIN**



**.31 .38 .39 .32 .40**



**ANTI-MICROBIAL COATING** **A M C**

**.99**



The manufacturer reserves the right to make changes and improvements in designs and dimensions.



**SPECIFICATION:**

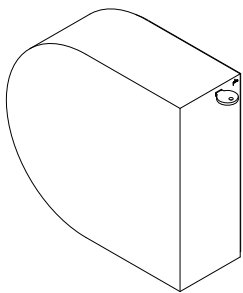
Single jumbo roll toilet tissue dispenser with overall dimensions 12" W x 11" H and 4-1/2" total projection from wall. Mounting plate in 5/32" (4 mm) thick type 316L stainless steel with grey RAL 9007 powder coated finish. Door with beautiful non-rounded design made with 5/64" (2 mm) thick type 316L stainless steel all-welded in satin finish. The dispenser accommodates two toilet tissue rolls up to 5" (127 mm) diameter with standard core. Right and left version available.

**OPERATION:**

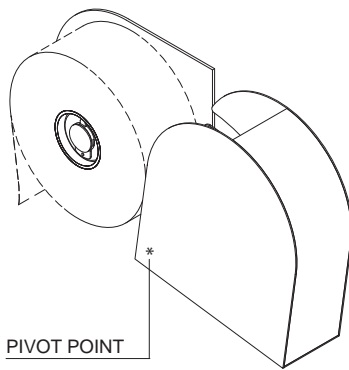
Use provided key from side hole to open, lift up and rotate the door to open and have access to the roll for replacing. Spindles can accommodate two toilet tissue rolls up to 5" (127 mm) diameter.

**INSTALLATION:**

Place unit on wall in desired mounting position and use mounting holes as template to mark holes location. For plaster or dry wall construction, provide concealed backing to comply with local building codes, then secure with screws (not furnished). For other wall surfaces provide fiber plugs or expansion shields for use with screws (not furnished). For partitions with particle-board or other solid core, secure with sheet-metal screws (not furnished). For hollow-core metal partitions, provide solid backing into which the sheet-metal screws can be secured. If two units are installed back-to-back, then provide threaded sleeves and machine screws for the full thickness of partition; back-to-back installation is possible for 1 right and 1 left version of item.



RIGHT



PIVOT POINT

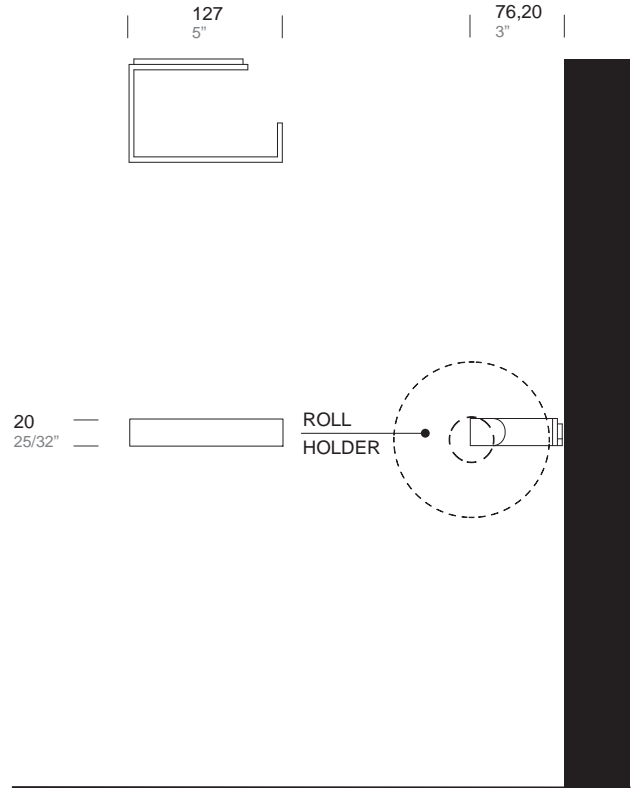
OPENING KEY DETAIL



**KEY INCLUDED**

ITEM

**GBA.100.0KEY.40**

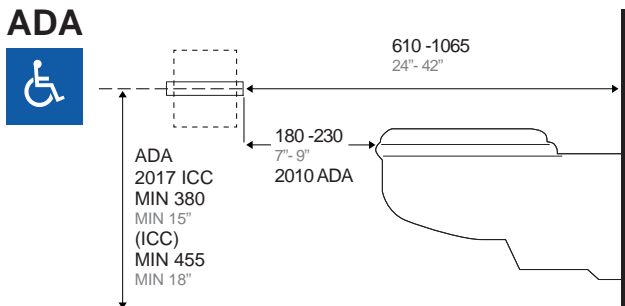


**TOILET TISSUE DISPENSER SINGLE SMALL ROLL FLAT SURFACE MOUNTED**

ITEM

**GBA.109.0000. xx**

**ADA**



**.XX STANDARD FINISH**

**STAINLESS STEEL AISI 316L**

**POWDER COATED FINISH**

**.44 SATIN**



**.31 .38 .39 .32 .40**



**ANTI-MICROBIAL COATING**

**A M C**

**.99**



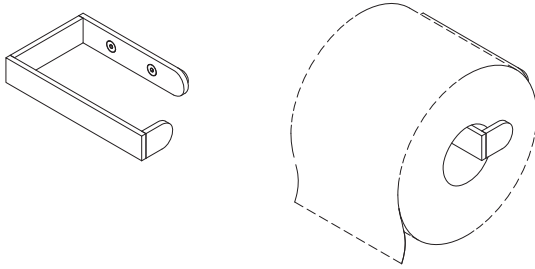
The manufacturer reserves the right to make changes and improvements in designs and dimensions.

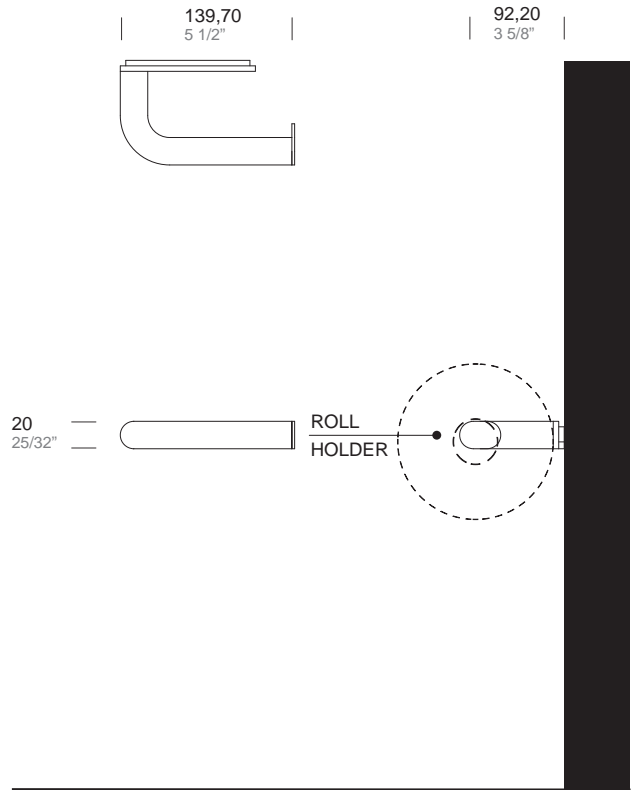
**SPECIFICATION:**

Surface Mounted stainless steel toilet tissue dispenser for small roll. Overall dimensions 5" (W) x 25/32" (H) and 3" total projection from wall. Sheet metal 5/32" (4 mm) thick type 316L stainless steel welded with satin finish. Suitable for rolls with max dimensions Ø5" x 4" H.

**INSTALLATION:**

Use wall plate as template to mark holes in desired mounting location and secure with provided fixing screws and plugs. Then attach the toilet tissue dispenser using the provided M4 screws.



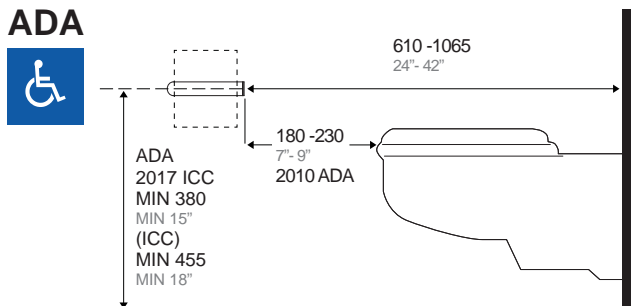


**TOILET TISSUE DISPENSER SINGLE SMALL ROLL ROUND  
TUBE - SURFACE MOUNTED**

ITEM

**GBA.110.0000. xx**

**ADA**



**.XX STANDARD FINISH**

**STAINLESS STEEL AISI 316L**

**POWDER COATED FINISH**

**.44 SATIN**



**.31 .38 .39 .32 .40**



**ANTI-MICROBIAL COATING**

**A M C**

**.99**



The manufacturer reserves the right to make changes and improvements in designs and dimensions.

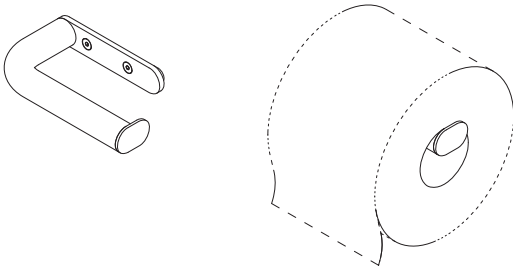
**SPECIFICATION:**

Surface Mounted stainless steel tubular toilet tissue dispenser for small roll. Overall dimensions 5" (W) x 25/32" (H) and 3-5/8" total projection from wall.

Sheet metal 5/32" (4 mm) thick type 316L stainless steel welded to a bended Ø20 mm type 316L stainless steel tube with satin finish. Suitable for rolls with max dimensions Ø5" x 4" H.

**INSTALLATION:**

Use wall plate as template to mark holes in desired mounting location and secure with provided fixing screws and plugs. Then attach the toilet tissue dispenser using the provided M4 screws.

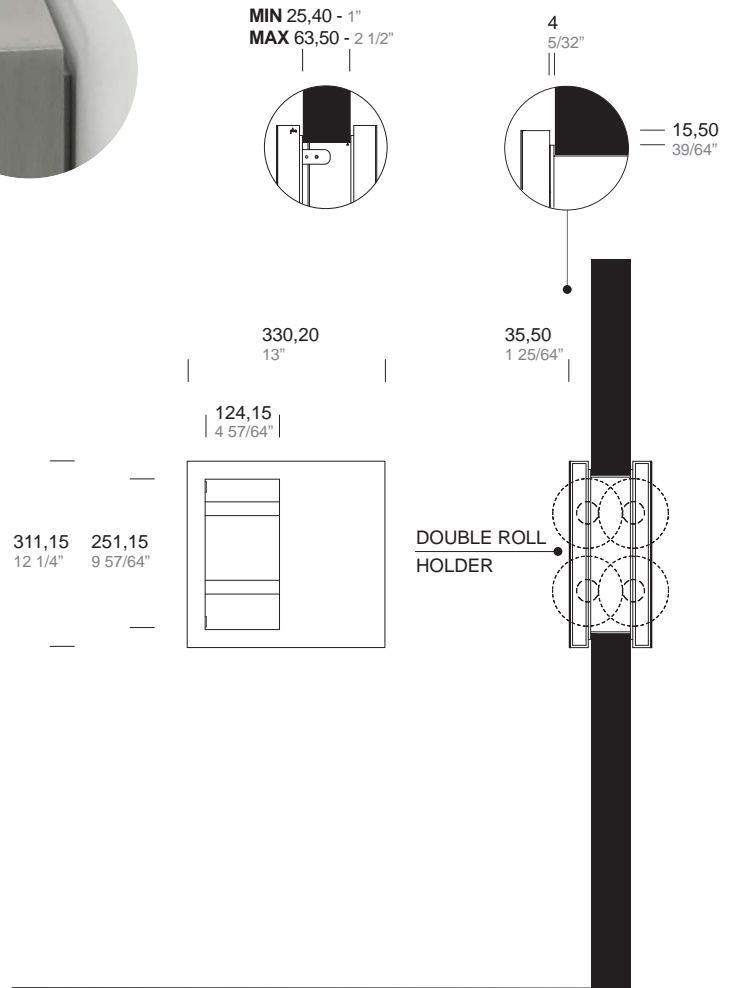








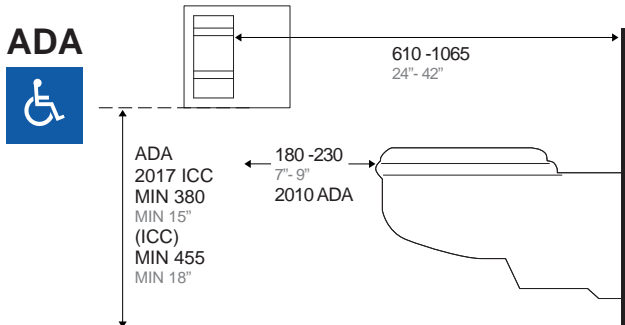
RECESSED TOILET TISSUE DISPENSER



TOILET TISSUE DISPENSER DOUBLE SMALL ROLL - PARTITION UNIT

ITEM

GBA.114.0000. xx



SUGGESTED PARTITION OPENING

High: 269,50 mm (10 39/64")  
Wide: 289,20 mm (11 25/64")  
Max wide: 294,20 mm (11 37/64")

.XX STANDARD FINISH

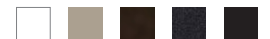
STAINLESS STEEL AISI 316L

POWDER COATED FINISH

.44 SATIN



.31 .38 .39 .32 .40



ANTI-MICROBIAL COATING

A M C

.99

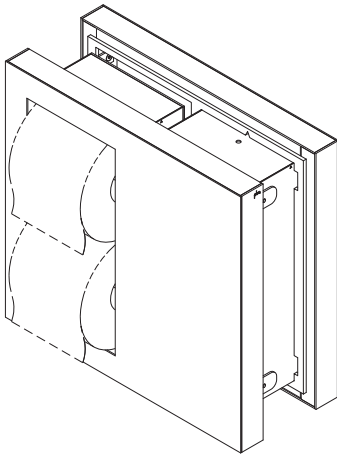


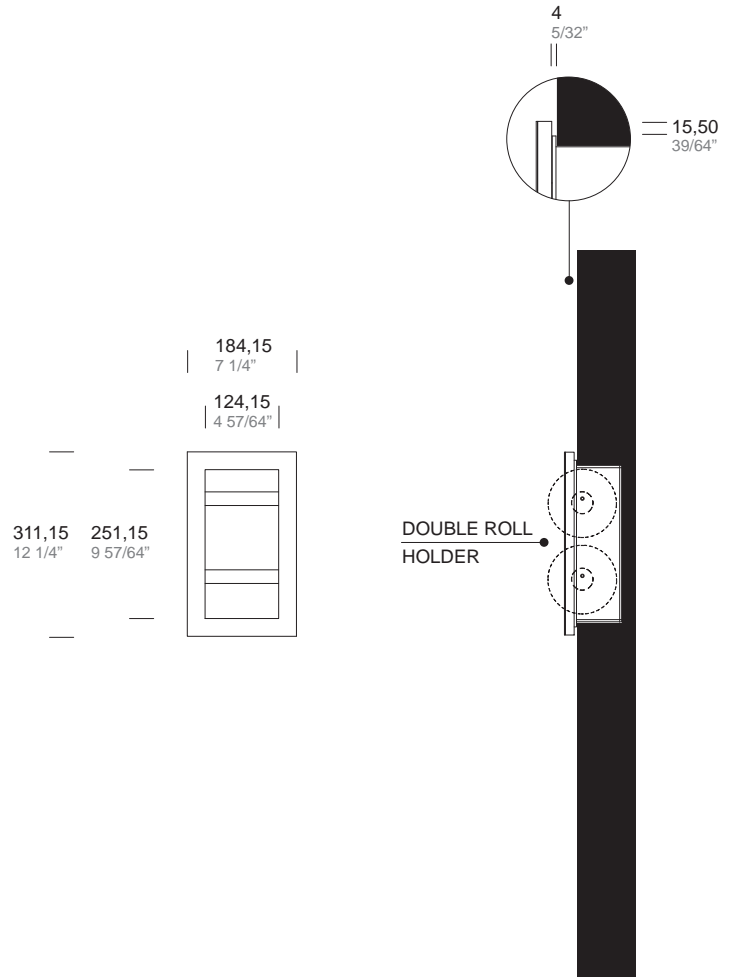
The manufacturer reserves the right to make changes and improvements in designs and dimensions.



**SPECIFICATION:**

Toilet tissue dispenser double small roll - partition unit

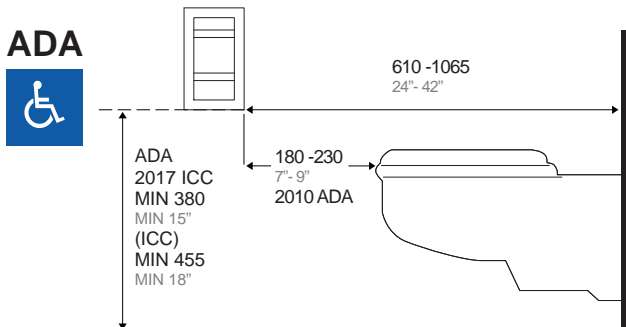




**TOILET TISSUE DISPENSER DOUBLE SMALL ROLL - RECESSED**

ITEM

**GBA.113.0000. xx**



**SUGGESTED WALL OPENING**

High: 271,15 mm (10 43/64")  
Wide: 135,15 mm (5 21/64")  
Max wide: 140,15 mm (5 33/64")

**.XX STANDARD FINISH**

**STAINLESS STEEL AISI 316L**

**POWDER COATED FINISH**

**.44 SATIN**



**.31**



**.38**



**.39**



**.32**



**.40**



**ANTI-MICROBIAL COATING**

**A M C**

**.99**



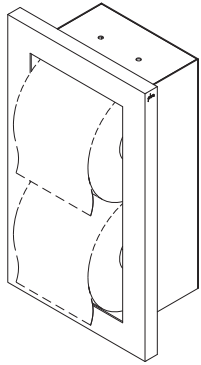
The manufacturer reserves the right to make changes and improvements in designs and dimensions.



**Declare.**

**SPECIFICATION:**

Toilet tissue dispenser double small roll - recessed





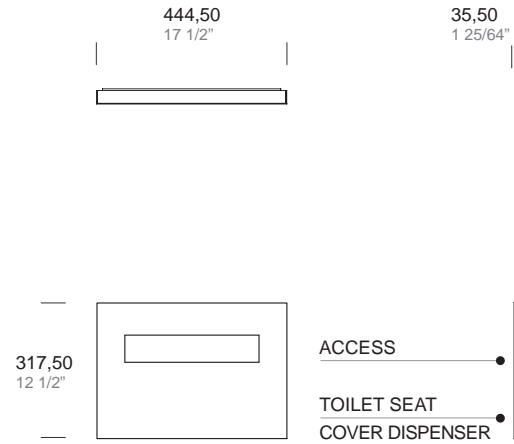
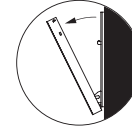




TOILET SEAT COVER DISPENSER



DOOR OPENING

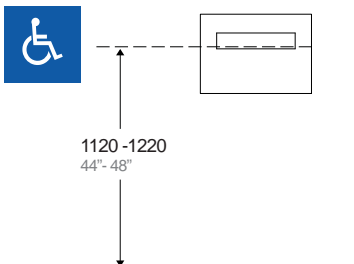


**TOILET SEAT COVER DISPENSER - SURFACE MOUNTED**

ITEM

**GBA.115.0000. xx**

**ADA**



**.XX STANDARD FINISH**

**STAINLESS STEEL AISI 316L**

**POWDER COATED FINISH**

**.44 SATIN**



**.31 .38 .39 .32 .40**



**ANTI-MICROBIAL COATING A M C**

**.99**



The manufacturer reserves the right to make changes and improvements in designs and dimensions.

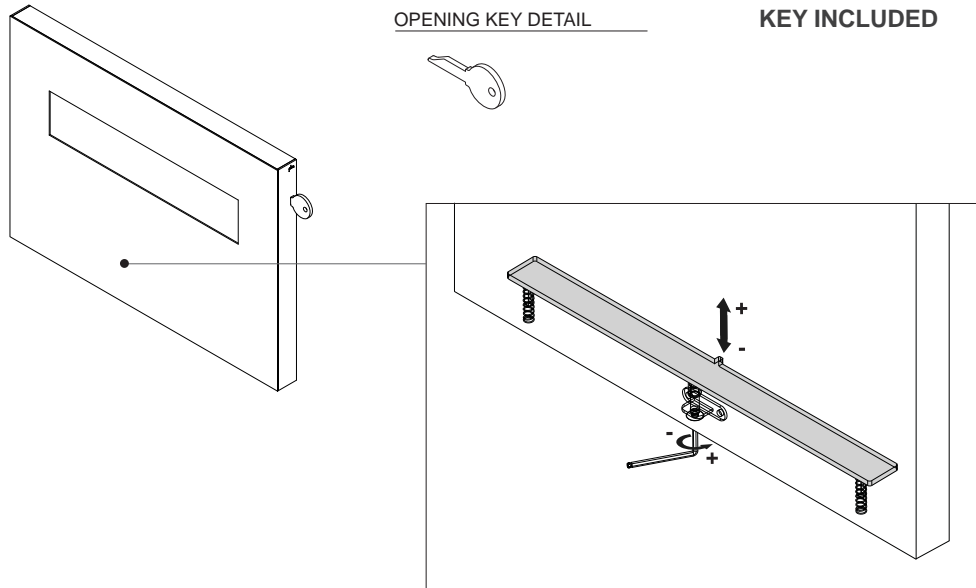


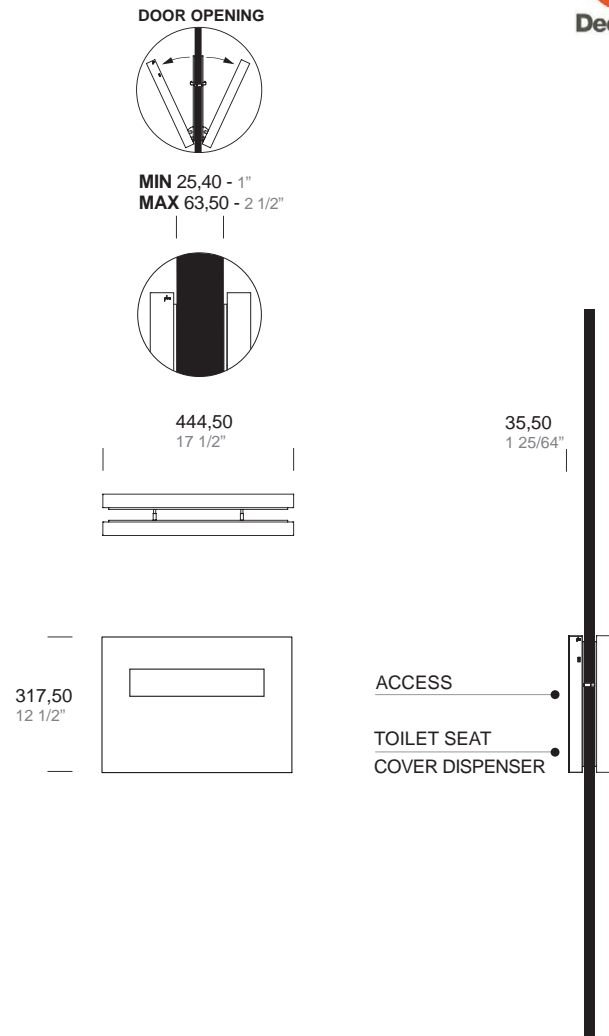
**SPECIFICATION:**

Toilet seat cover dispenser - surface mounted

ITEM

**GBA.100.0KEY.40**



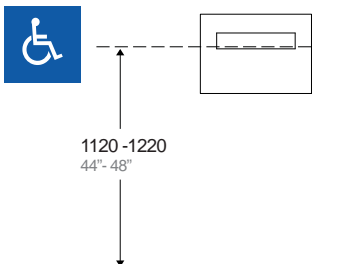


**TOILET SEAT COVER DISPENSER - PARTITION UNIT**

ITEM

**GBA.116.0000. xx**

**ADA**



**.XX STANDARD FINISH**

**STAINLESS STEEL AISI 316L**

**POWDER COATED FINISH**

**.44 SATIN**



**.31**



**.38**



**.39**



**.32**



**.40**



**ANTI-MICROBIAL COATING**

**A M C**

**.99**



The manufacturer reserves the right to make changes and improvements in designs and dimensions.



**SPECIFICATION:**

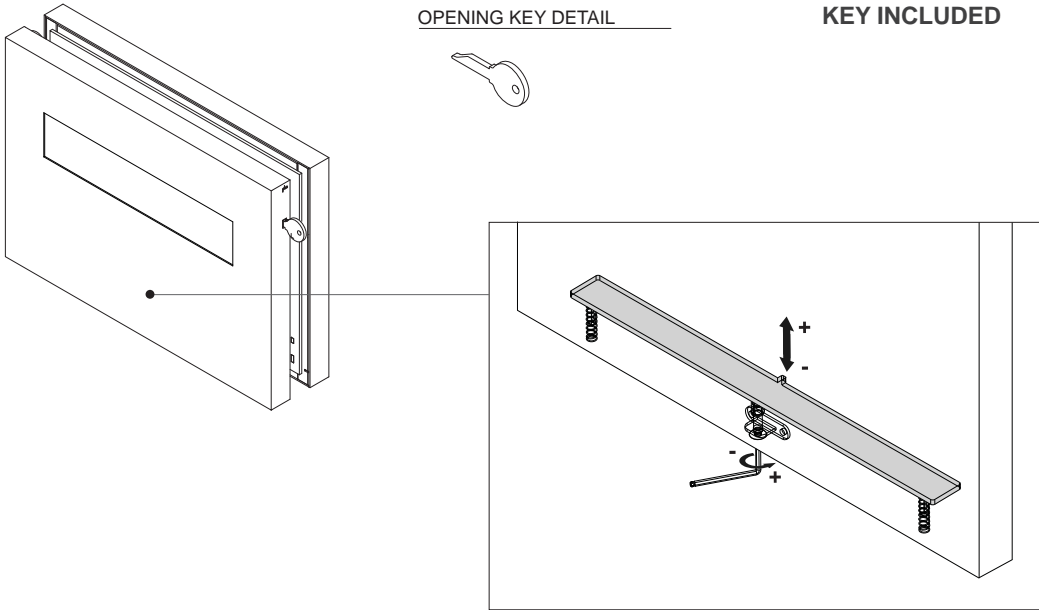
Toilet seat cover dispenser - partition unit

ITEM

**GBA.100.0KEY.40**

OPENING KEY DETAIL

**KEY INCLUDED**





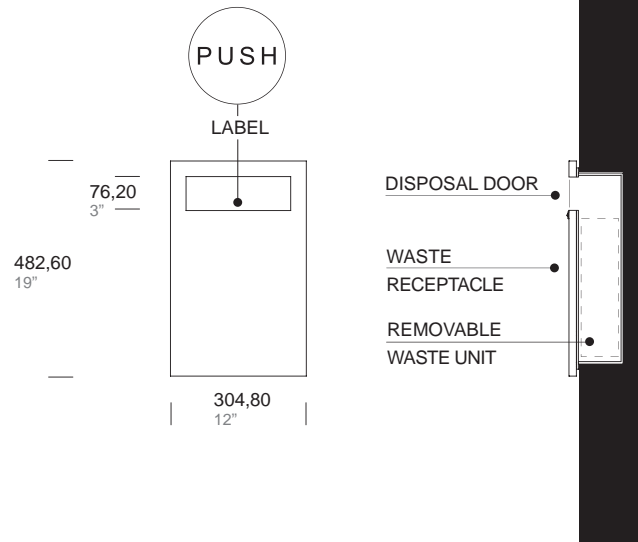
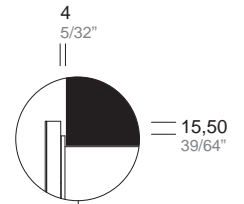
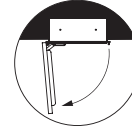




SANITARY NAPKIN / TAMPON WASTE UNIT



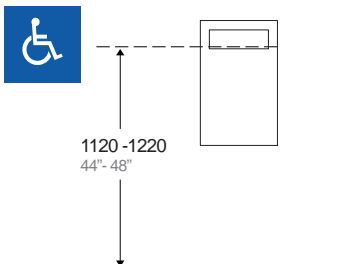
DOOR OPENING



**SANITARY NAPKIN / TAMPON WASTE UNIT - RECESSED  
REMOVABLE WASTE RECEPTACLE - INCLUDED**

ITEM  
**GBA.117.0000. xx**

**ADA**



**SUGGESTED WALL OPENING**  
High: 433,60 mm (17 5/64")  
Wide: 255,80 mm (10 5/64")  
Max wide: 260,80 mm (10 17/64")

**.XX STANDARD FINISH**

**STAINLESS STEEL AISI 316L**

**POWDER COATED FINISH**

**.44 SATIN**



**.31**

**.38**

**.39**

**.32**

**.40**



**ANTI-MICROBIAL COATING** **A M C**

**.99**

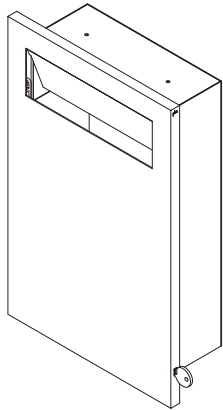


The manufacturer reserves the right to make changes and improvements in designs and dimensions.

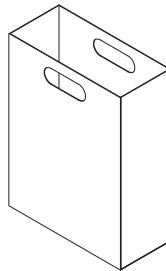


**SPECIFICATION:**

Sanitary napkin / tampon waste unit - recessed  
Removable waste receptacle - included



REMOVABLE WASTE RECEPTACLE



OPENING KEY DETAIL



**REMOVABLE WASTE RECEPTACLE  
INCLUDED**

**KEY INCLUDED**

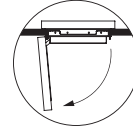
ITEM

**GBA.100.0KEY.40**

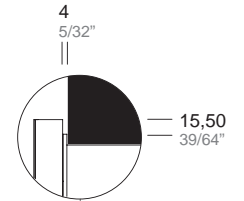
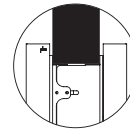
This product contributes to LEED® credit



DOOR OPENING  
ON THIS SIDE ONLY

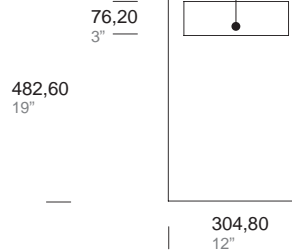


MIN 25,40 - 1"  
MAX 63,50 - 2 1/2"



PUSH

LABEL

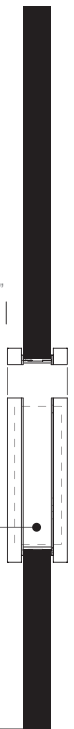


35,50  
1 25/64"

DISPOSAL DOOR

WASTE  
RECEPTACLE

REMOVABLE  
WASTE UNIT

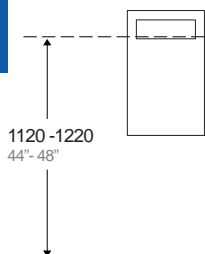


**SANITARY NAPKIN / TAMPON WASTE - PARTITION UNIT**  
**REMOVABLE WASTE RECEPTACLE - INCLUDED**

ITEM

**GBA.118.0000. xx**

**ADA**



**SUGGESTED PARTITION OPENING**

High: 433,60 mm (17 5/64")  
Wide: 262,80 mm (10 11/32")  
Max wide: 267,80 mm (10 35/64")

**.XX STANDARD FINISH**

**STAINLESS STEEL AISI 316L**

**POWDER COATED FINISH**

**.44 SATIN**



**.31**



**.38**



**.39**



**.32**



**.40**



**ANTI-MICROBIAL COATING**

**A M C**

**.99**

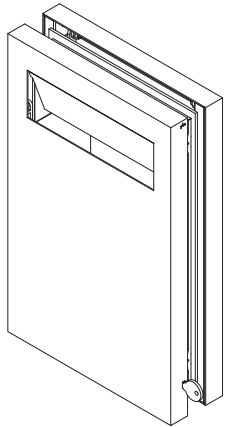


The manufacturer reserves the right to make changes and improvements in designs and dimensions.

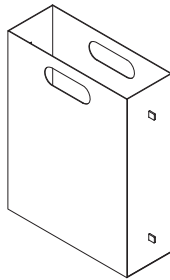


**SPECIFICATION:**

Sanitary napkin / tampon waste - partition unit  
Removable waste receptacle - included



REMOVABLE WASTE RECEPTACLE



**REMOVABLE WASTE RECEPTACLE INCLUDED**

OPENING KEY DETAIL



**KEY INCLUDED**

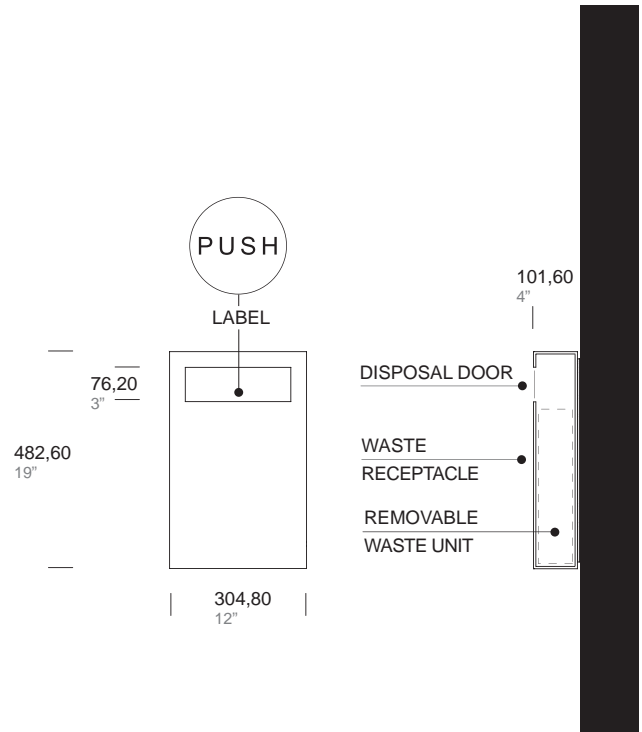
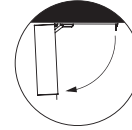
ITEM

**GBA.100.0KEY.40**





DOOR OPENING

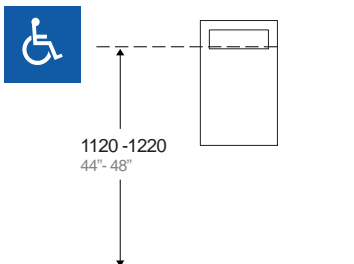


**SANITARY NAPKIN / TAMPON WASTE UNIT- SURFACE MOUNTED**  
**REMOVABLE WASTE UNIT - INCLUDED**

ITEM

**GBA.119.0000. xx**

**ADA**



**.XX STANDARD FINISH**

**STAINLESS STEEL AISI 316L**

**POWDER COATED FINISH**

**.44 SATIN**



**.31**



**.38**



**.39**



**.32**



**.40**



**ANTI-MICROBIAL COATING**

**A M C**

**.99**

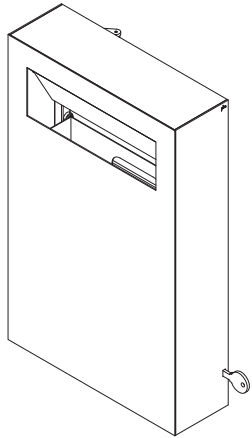


The manufacturer reserves the right to make changes and improvements in designs and dimensions.

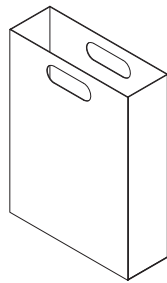


**SPECIFICATION:**

Sanitary napkin / tampon waste - surface mounted  
Removable waste receptacle - included



REMOVABLE WASTE RECEPTACLE



OPENING KEY DETAIL



**REMOVABLE WASTE RECEPTACLE  
INCLUDED**

**KEY INCLUDED**

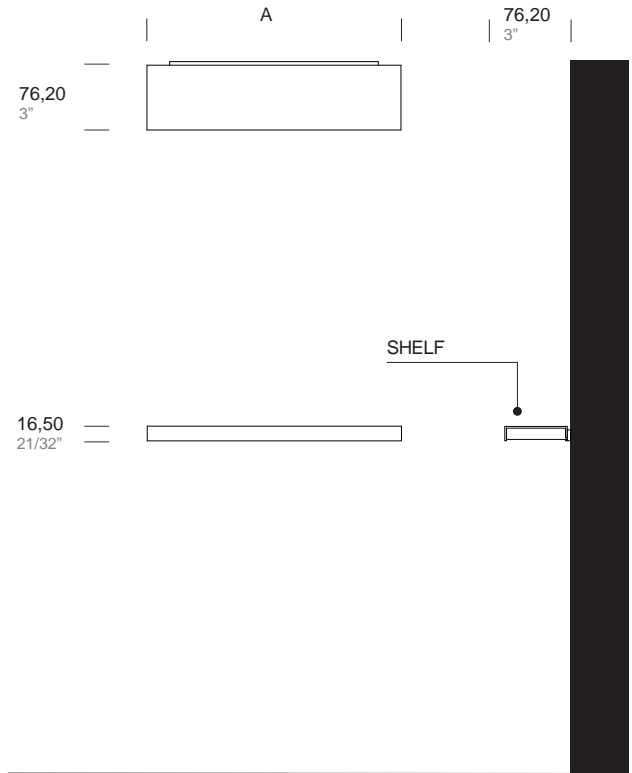
ITEM

**GBA.100.0KEY.40**



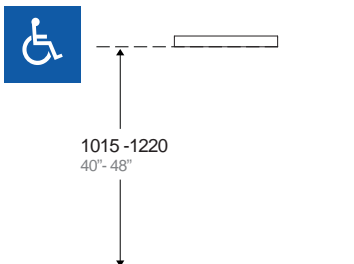


SHELF



**SHELF - SURFACE MOUNTED 3" PROJECTION**

**ADA**



**ITEM**

**GBA.120.0001. xx**  
OAL 12"

**GBA.120.0002. xx**  
OAL 18"

**GBA.120.0003. xx**  
OAL 24"

**.XX STANDARD FINISH**

**STAINLESS STEEL AISI 316L**

**POWDER COATED FINISH**

**.44 SATIN**



**.31**



**.38**



**.39**



**.32**



**.40**



**ANTI-MICROBIAL COATING**

**A M C**

**.99**

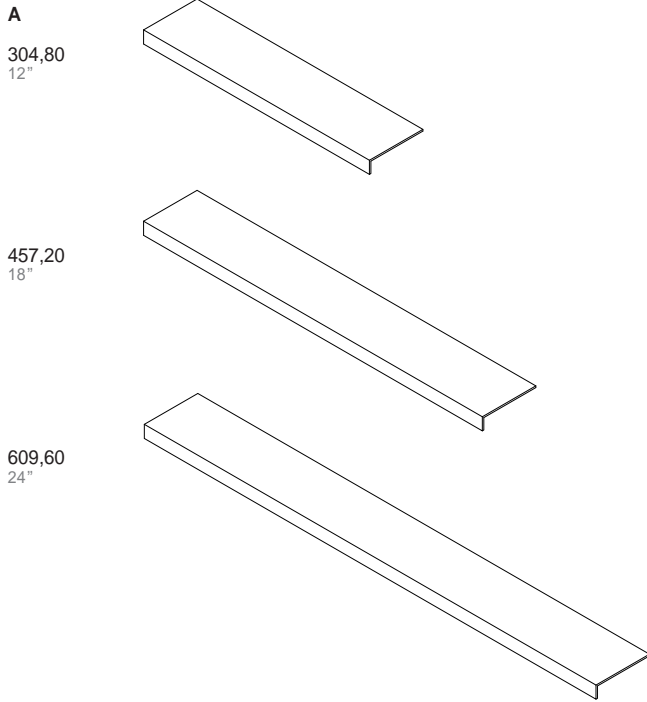


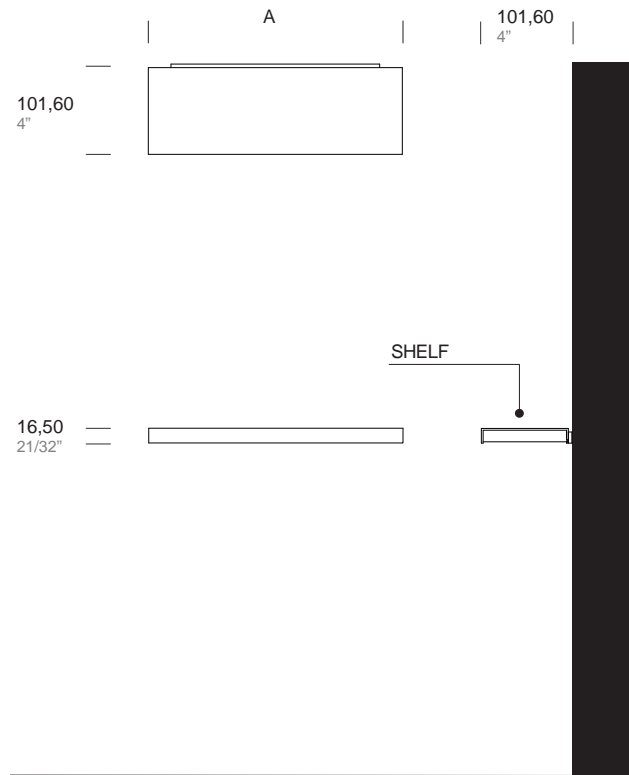
The manufacturer reserves the right to make changes and improvements in designs and dimensions.



**SPECIFICATION:**

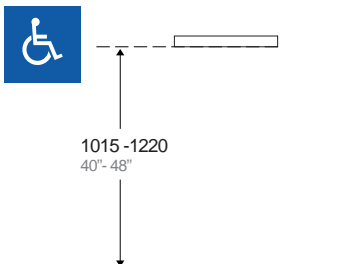
Shelf - surface mounted 3" projection





**SHELF - SURFACE MOUNTED 4" PROJECTION**

**ADA**



**ITEM**

**GBA.121.0001. xx**  
OAL 12"

**GBA.121.0002. xx**  
OAL 18"

**GBA.121.0003. xx**  
OAL 24"

**.XX STANDARD FINISH**

**STAINLESS STEEL AISI 316L**

**POWDER COATED FINISH**

**.44 SATIN**



**.31 .38 .39 .32 .40**



**ANTI-MICROBIAL COATING** **A M C**

**.99**



The manufacturer reserves the right to make changes and improvements in designs and dimensions.



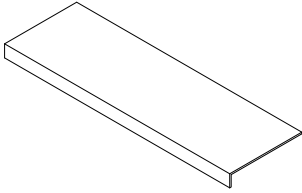


**SPECIFICATION:**

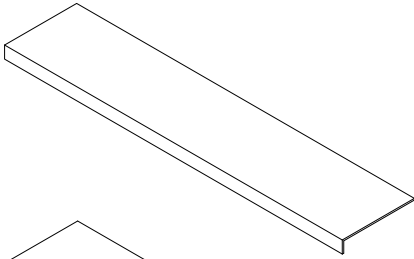
Shelf - surface mounted 4" projection

**A**

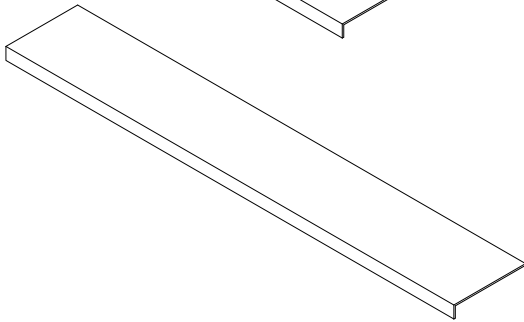
304,80  
12"



457,20  
18"



609,60  
24"





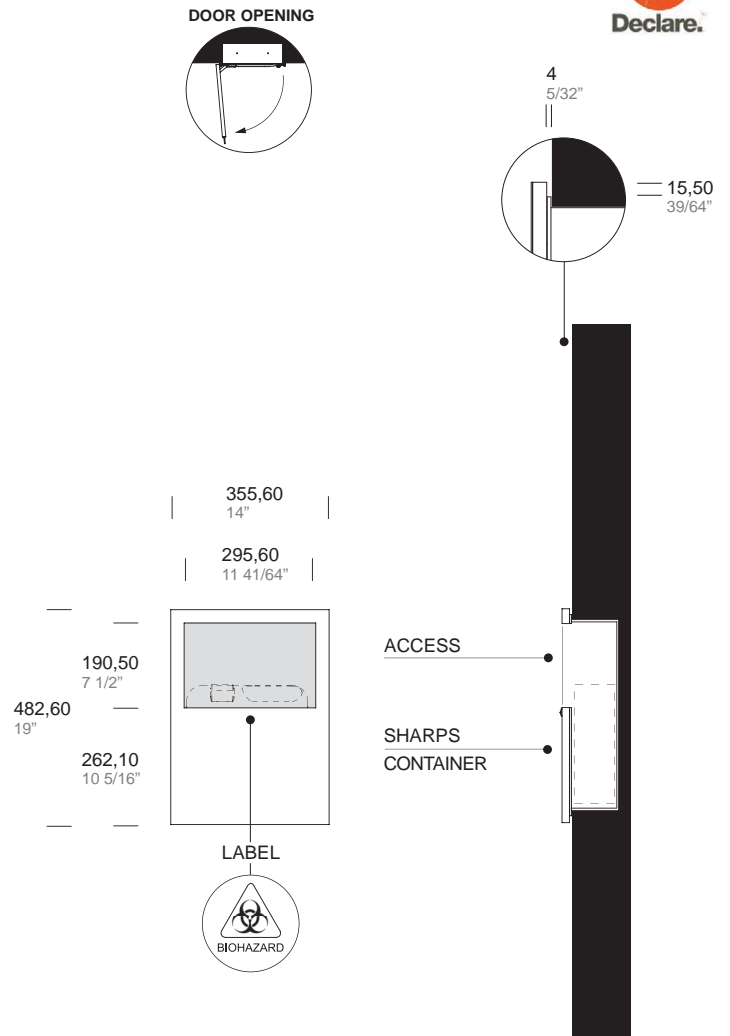


SHARPS CONTAINER

This product contributes to LEED® credit



- Outer surface
- Inner surface

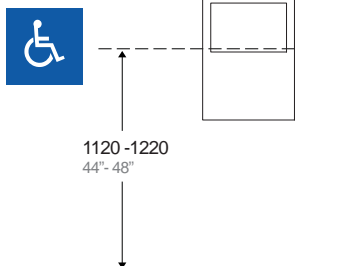


**SHARPS CONTAINER - RECESSED**

ITEM

**GBA.122.0000. xx**

**ADA**



**SUGGESTED WALL OPENING**  
 High: 433,60 mm (17 5/64")  
 Wide: 262,80 mm (10 11/32")  
 Max wide: 267,80 mm (10 35/64")

**.XX STANDARD COMBINATION OUTER AND INNER SURFACE**

	SATIN	POWDER COATED				
<input type="checkbox"/> OUTER	.44	.31	.38	.39	.32	.40
<input type="checkbox"/> INNER	.XX	.31	.38	.39	.32	.40

**INNER SURFACE FINISH OPTIONS ON REQUEST \***

**ANTI-MICROBIAL COATING** **A M C**

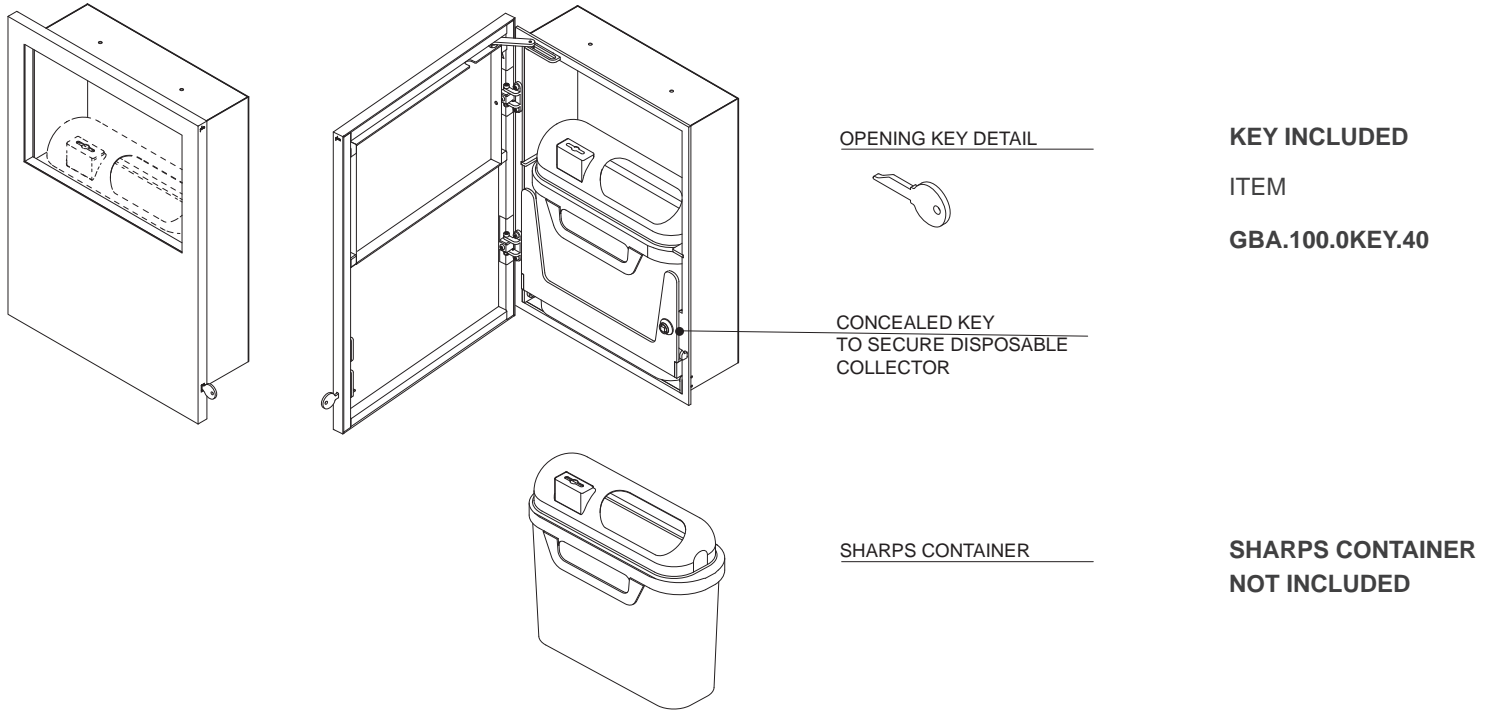
.99	<input type="checkbox"/>	<input type="checkbox"/>	<input type="checkbox"/>	<input type="checkbox"/>
-----	--------------------------	--------------------------	--------------------------	--------------------------

The manufacturer reserves the right to make changes and improvements in designs and dimensions.

\* Minimum order quantity



**SPECIFICATION:**  
Sharps container - recessed



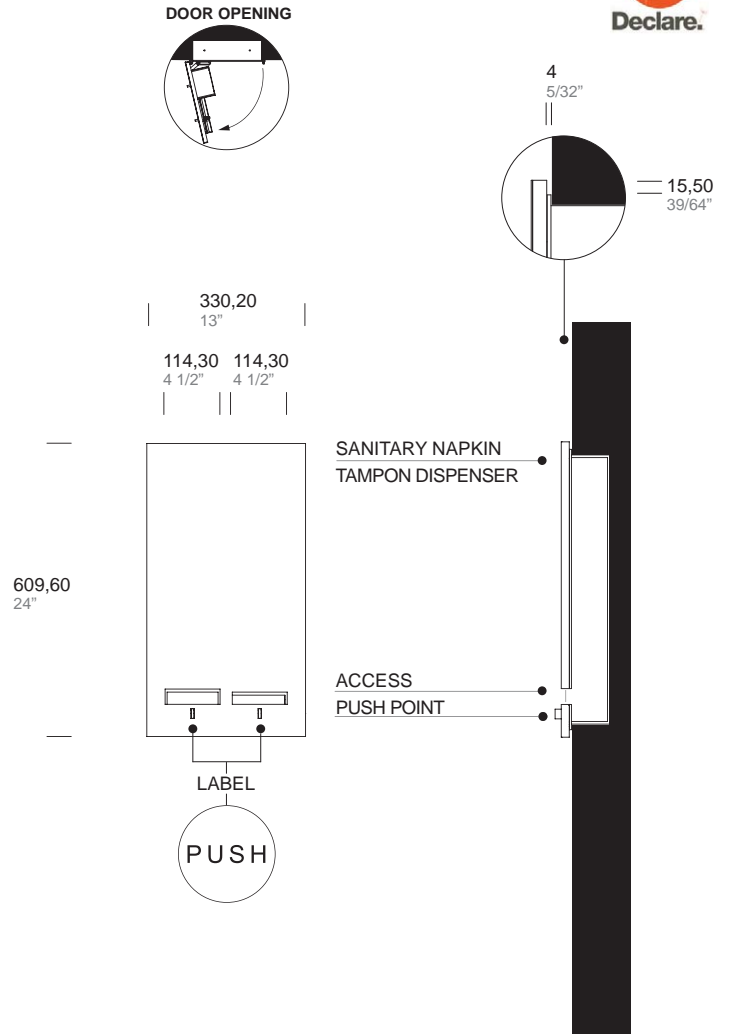




SANITARY NAPKIN / TAMPON DISPENSER



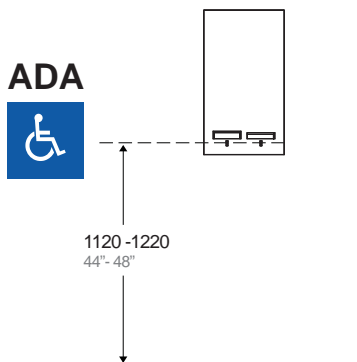
This product contributes to LEED® credit



**SANITARY NAPKIN / TAMPON DISPENSER - RECESSED**

ITEM

**GBA.123.0000. xx**



**.XX STANDARD FINISH**

**STAINLESS STEEL AISI 316L**

**POWDER COATED FINISH**

**.44 SATIN**



**.31 .38 .39 .32 .40**



**ANTI-MICROBIAL COATING**

**A M C**

**.99**

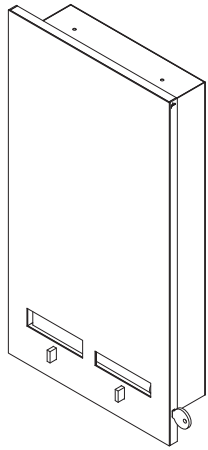


The manufacturer reserves the right to make changes and improvements in designs and dimensions.

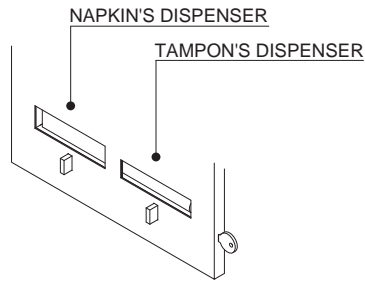


**SPECIFICATION:**

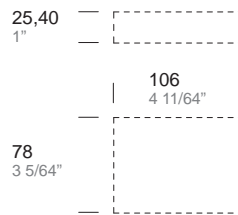
Sanitary napkin / tampon dispenser - recessed



WINDOWS DETAIL



• NAPKIN'S BOX DIMENSIONS



• TAMPON'S DIMENSIONS



OPENING KEY DETAIL



**KEY INCLUDED**

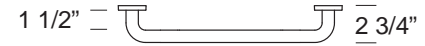
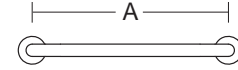
ITEM

**GBA.100.0KEY.40**





STAINLESS STEEL GRAB BARS



Concealed mounting  
flange in stainless steel

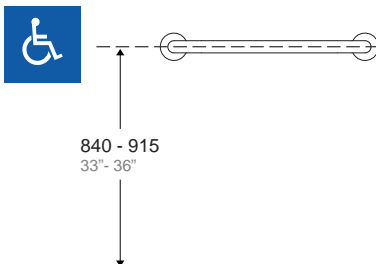


Dimensions: center to center

**HORIZONTAL GRAB BAR**

ITEM	A
<b>4CS.440.001U. xx</b>	12"
<b>4CS.440.002U. xx</b>	16"
<b>4CS.440.003U. xx</b>	18"
<b>4CS.440.004U. xx</b>	24"
<b>4CS.440.005U. xx</b>	30"
<b>4CS.440.006U. xx</b>	32"
<b>4CS.440.007U. xx</b>	36"
<b>4CS.440.008U. xx</b>	42"
<b>4CS.440.009U. xx</b>	48"

**ADA**



**.XX STANDARD FINISH  
STAINLESS STEEL AISI 316L**

**.44 SATIN      .43 BRIGHT**



**ANTI-MICROBIAL COATING** A M C



The manufacturer reserves the right to make changes and improvements in designs and dimensions.

**HORIZONTAL GRAB BAR**

Full length bent rail 5/64" (2 mm) thick, in type 316L stainless steel tubing with 1-17/64" (32 mm) outer diameter connected with 3-3/16" (Ø 80 mm) flanges.

Cover in type 316L stainless steel. Mounting flanges with steel core 1/8" (3 mm) thickness, stainless steel covers and fully recyclable polyamide-6 wall protection. Each cover snaps over mounting flange to conceal mounting screws. Clearance between the grab bar and wall is 1-1/2" (38 mm).

For strength installation and maintenance see page 151.

**MOUNTING KITS** not included.

Optional mounting kit for concrete, natural stone, solid brick and hollow brick: KIT 4CN.0VM.0004.00.

Optional mounting kit for sheetrock wall and wooden plate: KIT 4CN.0VM.0010.00.

Optional mounting kit for toilet partition: KIT 4CN.0VM.0040.00.

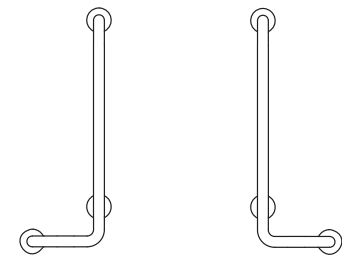
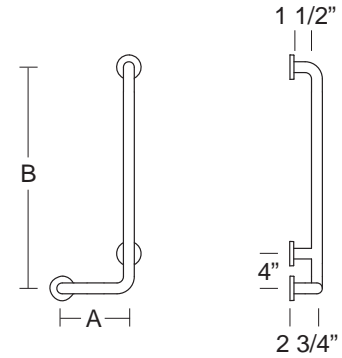
One Mounting kit is required for each flange - see page 160.

**SAFETY WARNING**

Grab bars must be firmly secured to the anchors and the walls in order for them to support the weight they are designed for. Grab bars alone are not stronger than anchors and walls. In case the grab bar is not securely anchored to the wall, the building owner or maintenance personnel must remove it from service to avoid any accident or injury.



This product contributes to LEED® credit



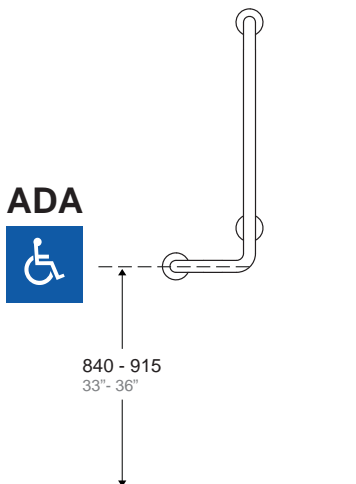
◆ .1 RIGHT

◆ .2 LEFT

Dimensions: center to center

**90° GRAB BAR**

Concealed mounting flange in stainless steel



ITEM	◆	A	B
4CS.422.001U. xx . x		18"	24"
4CS.422.002U. xx . x		18"	36"
4CS.422.003U. xx . x		24"	24"
4CS.422.004U. xx . x		24"	36"
4CS.422.005U. xx . x		30"	24"
4CS.422.006U. xx . x		30"	30"
4CS.422.007U. xx . x		30"	36"

.XX STANDARD FINISH

STAINLESS STEEL AISI 316L

.44 SATIN

.43 BRIGHT



**90° GRAB BAR**

*Rail* 1/16" (1,5 mm) thick, in type 316L stainless steel tubing with 1-17/64" (32 mm) outer diameter. Stainless steel bends connected with 3-3/16" (Ø 80 mm) flanges.

*Cover* in type 316L stainless steel. Mounting flanges with steel core 1/8" (3 mm) thickness, stainless steel covers and fully recyclable polyamide-6 wall protection. Each cover snaps over mounting flange to conceal mounting screws.

Clearance between the grab bar and wall is 1-1/2" (38 mm).

For strength installation and maintenance see page 151.

**MOUNTING KITS** not included.

Optional mounting kit for concrete, natural stone, solid brick and hollow brick: KIT 4CN.0VM.0004.00.

Optional mounting kit for sheetrock wall and wooden plate: KIT 4CN.0VM.0010.00.

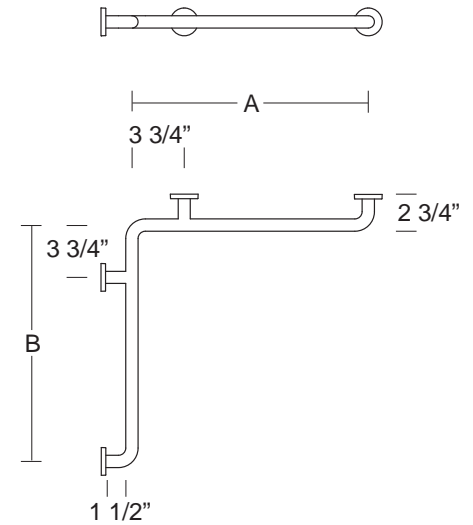
Optional mounting kit for toilet partition: KIT 4CN.0VM.0040.00.

One Mounting kit is required for each flange - see page 160.

**SAFETY WARNING**

Grab bars must be firmly secured to the anchors and the walls in order for them to support the weight they are designed for. Grab bars alone are not stronger than anchors and walls. In case the grab bar is not securely anchored to the wall, the building owner or maintenance personnel must remove it from service to avoid any accident or injury.

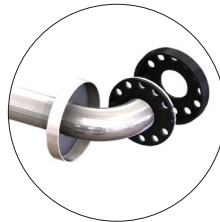




Dimensions: center to center

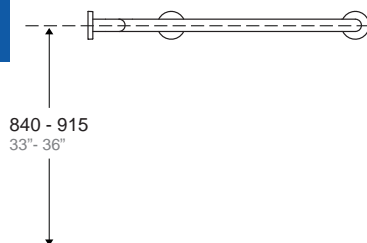
**TWO-WALL GRAB BAR**

Concealed mounting flange in stainless steel



ITEM	A	B
<b>4CS.442.001U. xx</b>	24 3/4"	36 3/4"
<b>4CS.442.002U. xx</b>	36 3/4"	54 3/4"
<b>4CS.442.003U. xx</b>	42 3/4"	54 3/4"

**ADA**



**.XX STANDARD FINISH  
STAINLESS STEEL AISI 316L**

**.44 SATIN      .43 BRIGHT**



**TWO-WALL GRAB BAR**

*Rail* 1/16" (1,5 mm) thick, in type 316L stainless steel tubing with 1-17/64" (32 mm) outer diameter. Stainless steel bends connected with 3-3/16" (Ø 80 mm) flanges.

*Cover* in type 316L stainless steel. Mounting flanges with steel core 1/8" (3 mm) thickness, stainless steel covers and fully recyclable polyamide-6 wall protection. Each cover snaps over mounting flange to conceal mounting screws.

Clearance between the grab bar and wall is 1-1/2" (38 mm).

For strength installation and maintenance see page 151.

**MOUNTING KITS** not included.

Optional mounting kit for concrete, natural stone, solid brick and hollow brick: KIT 4CN.0VM.0004.00.

Optional mounting kit for sheetrock wall and wooden plate: KIT 4CN.0VM.0010.00.

Optional mounting kit for toilet partition: KIT 4CN.0VM.0040.00.

One Mounting kit is required for each flange - see page 160.

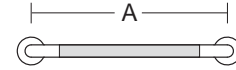
**SAFETY WARNING**

Grab bars must be firmly secured to the anchors and the walls in order for them to support the weight they are designed for. Grab bars alone are not stronger than anchors and walls. In case the grab bar is not securely anchored to the wall, the building owner or maintenance personnel must remove it from service to avoid any accident or injury.





COPPER / STAINLESS STEEL GRAB BARS

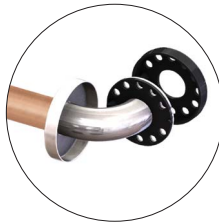


- Stainless Steel
- Satin Copper

Dimensions: center to center

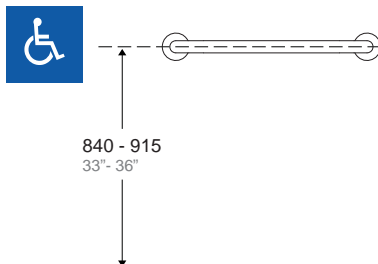
**HORIZONTAL GRAB BAR**

Concealed mounting  
flange in stainless steel



ITEM	A
4CU.440.001U. 4R	12"
4CU.440.002U. 4R	16"
4CU.440.003U. 4R	18"
4CU.440.004U. 4R	24"
4CU.440.005U. 4R	30"
4CU.440.006U. 4R	32"
4CU.440.007U. 4R	36"

**ADA**



**STANDARD FINISH**

**COPPER**

- .4R** SATIN COPPER
- SATIN STAINLESS STEEL AISI 316L

**HORIZONTAL GRAB BAR**

Rail 1/16" (1,5 mm) thick, in pure copper alloy CU-DHP (CW024A) with 1-17/64" (32 mm) outer diameter. Stainless steel bends connected with 3-3/16" (Ø 80 mm) flanges.

Cover in type 316L stainless steel. Mounting flanges with steel core 1/8" (3 mm) thickness, stainless steel covers and fully recyclable polyamide-6 wall protection. Each cover snaps over mounting flange to conceal mounting screws. Clearance between the grab bar and wall is 1-1/2" (38 mm).

For strength installation and maintenance see page 154.

**MOUNTING KITS** not included.

Optional mounting kit for concrete, natural stone, solid brick and hollow brick: KIT 4CN.0VM.0004.00.

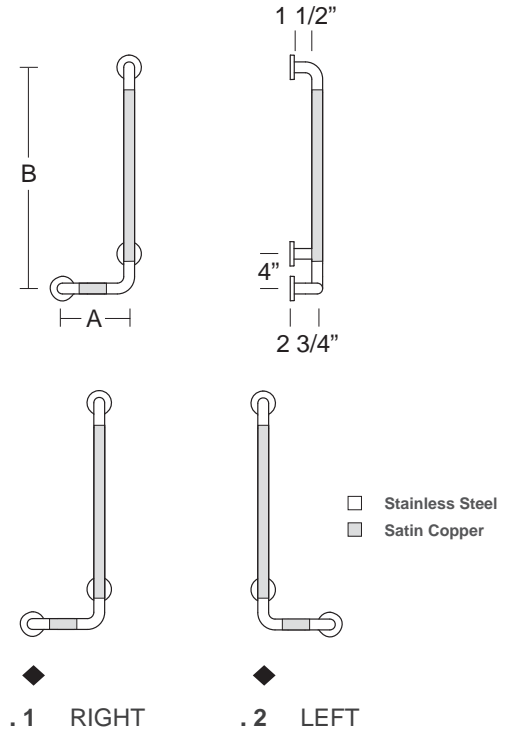
Optional mounting kit for sheetrock wall and wooden plate: KIT 4CN.0VM.0010.00.

Optional mounting kit for toilet partition: KIT 4CN.0VM.0040.00.

One Mounting kit is required for each flange - see page 163.

**SAFETY WARNING**

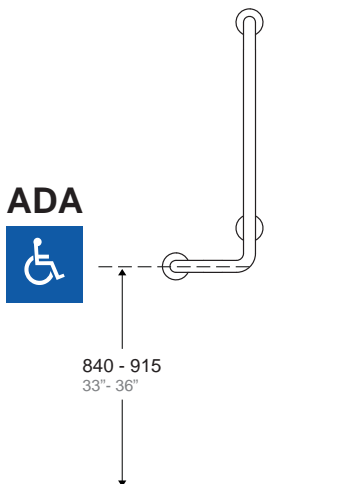
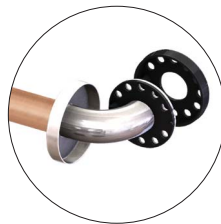
Grab bars must be firmly secured to the anchors and the walls in order for them to support the weight they are designed for. Grab bars alone are not stronger than anchors and walls. In case the grab bar is not securely anchored to the wall, the building owner or maintenance personnel must remove it from service to avoid any accident or injury.



Dimensions: center to center

**90° GRAB BAR**

Concealed mounting flange in stainless steel



ITEM	◆	A	B
4CU.422.001U.4R . x		18"	24"
4CU.422.002U.4R . x		18"	36"
4CU.422.003U.4R . x		24"	24"
4CU.422.004U.4R . x		24"	36"
4CU.422.005U.4R . x		30"	24"
4CU.422.006U.4R . x		30"	30"
4CU.422.007U.4R . x		30"	36"

**STANDARD FINISH**

**COPPER**

- ◆.4R SATIN COPPER
- ◆ SATIN STAINLESS STEEL AISI 316L

**90° GRAB BAR**

Rail 1/16" (1,5 mm) thick, in pure copper alloy CU-DHP (CW024A) with 1-17/64" (32 mm) outer diameter. Stainless steel bends connected with 3-3/16" (Ø 80 mm) flanges.

Cover in type 316L stainless steel. Mounting flanges with steel core 1/8" (3 mm) thickness, stainless steel covers and fully recyclable polyamide-6 wall protection. Each cover snaps over mounting flange to conceal mounting screws.

Clearance between the grab bar and wall is 1-1/2" (38 mm).

For strength installation and maintenance see page 154.

**MOUNTING KITS** not included.

Optional mounting kit for concrete, natural stone, solid brick and hollow brick: KIT 4CN.0VM.0004.00.

Optional mounting kit for sheetrock wall and wooden plate: KIT 4CN.0VM.0010.00.

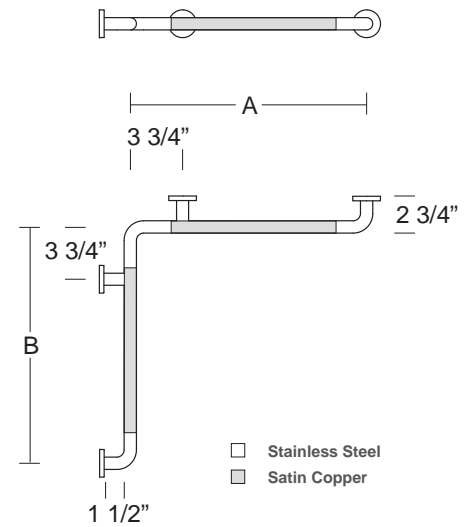
Optional mounting kit for toilet partition: KIT 4CN.0VM.0040.00.

One Mounting kit is required for each flange - see page 163.

**SAFETY WARNING**

Grab bars must be firmly secured to the anchors and the walls in order for them to support the weight they are designed for. Grab bars alone are not stronger than anchors and walls. In case the grab bar is not securely anchored to the wall, the building owner or maintenance personnel must remove it from service to avoid any accident or injury.

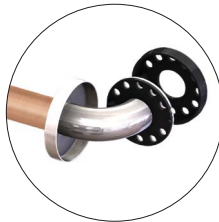




Dimensions: center to center

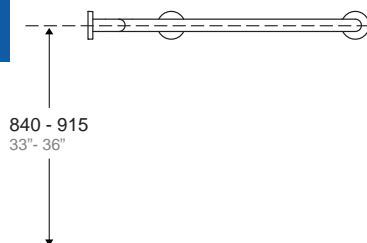
**TWO-WALL GRAB BAR**

Concealed mounting flange in stainless steel



ITEM	A	B
4CU.442.001U. 4R	24 3/4"	36 3/4"

**ADA**



**STANDARD FINISH**

**COPPER**

- .4R SATIN COPPER
- SATIN STAINLESS STEEL AISI 316L

**TWO-WALL GRAB BAR**

Rail 1/16" (1,5 mm) thick, in pure copper alloy CU-DHP (CW024A) with 1-17/64" (32 mm) outer diameter. Stainless steel bends connected with 3-3/16" (Ø 80 mm) flanges.

Cover in type 316L stainless steel. Mounting flanges with steel core 1/8" (3 mm) thickness, stainless steel covers and fully recyclable polyamide-6 wall protection. Each cover snaps over mounting flange to conceal mounting screws. Clearance between the grab bar and wall is 1-1/2" (38 mm).

For strength installation and maintenance see page 154.

**MOUNTING KITS** not included.

Optional mounting kit for concrete, natural stone, solid brick and hollow brick: KIT 4CN.0VM.0004.00.

Optional mounting kit for sheetrock wall and wooden plate: KIT 4CN.0VM.0010.00.

Optional mounting kit for toilet partition: KIT 4CN.0VM.0040.00.

One Mounting kit is required for each flange - see page 163.

**SAFETY WARNING**

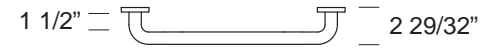
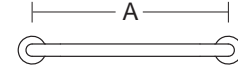
Grab bars must be firmly secured to the anchors and the walls in order for them to support the weight they are designed for. Grab bars alone are not stronger than anchors and walls. In case the grab bar is not securely anchored to the wall, the building owner or maintenance personnel must remove it from service to avoid any accident or injury.



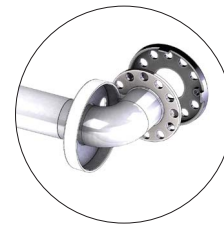




POLYAMIDE 6 GRAB BARS



Concealed mounting  
flange in stainless steel

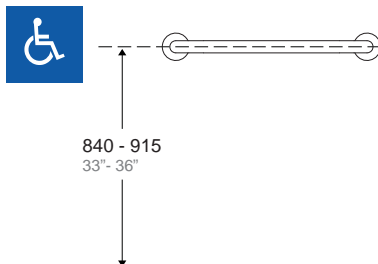


Dimensions: center to center

**HORIZONTAL GRAB BAR**

ITEM	A
4CN.440.001U. xx	12"
4CN.440.002U. xx	16"
4CN.440.003U. xx	18"
4CN.440.004U. xx	24"
4CN.440.005U. xx	30"
4CN.440.006U. xx	32"
4CN.440.007U. xx	36"
4CN.440.008U. xx	42"
4CN.440.009U. xx	48"

**ADA**



**.XX SYANDARD FINISH**

**POLYAMIDE 6**

LRV light reflectance value	.A1	.01	.02	.03	.04	.05	.07	.09	.10	.17
		87	76		65		27	9	5	

**HORIZONTAL GRAB BAR**

Rail 1-7/16" (36 mm) outer diameter in polyamide-6 with full-length aluminum core. Fully recyclable polyamide-6 bends connected with 3-3/16" (Ø 80 mm) flanges.

Cover in fully recyclable polyamide-6. Mounting flanges with steel core, 1/8" (3mm) thick, and polyamide-6 wall protection. Each cover snaps over mounting flange to conceal mounting screws.

Clearance between the grab bar and wall is 1-1/2" (38 mm).

For strength installation and maintenance see page 158.

**MOUNTING KITS** not included.

Optional mounting kit for concrete, natural stone, solid brick and hollow brick: KIT 4CN.0VM.0004.00.

Optional mounting kit for sheetrock wall and wooden plate: KIT 4CN.0VM.0010.00.

Optional mounting kit for toilet partition: KIT 4CN.0VM.0040.00.

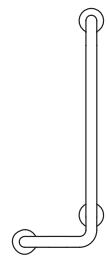
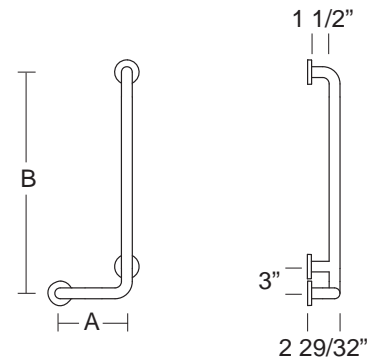
One mounting kit is required for each flange - see page 162.

**SAFETY WARNING**

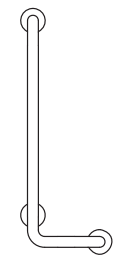
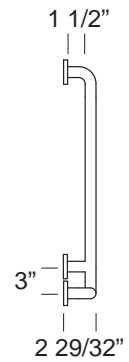
Grab bars must be firmly secured to the anchors and the walls in order for them to support the weight they are designed for. Grab bars alone are not stronger than anchors and walls. In case the grab bar is not securely anchored to the wall, the building owner or maintenance personnel must remove it from service to avoid any accident or injury.



This product contributes to LEED® credit



◆  
.1 RIGHT

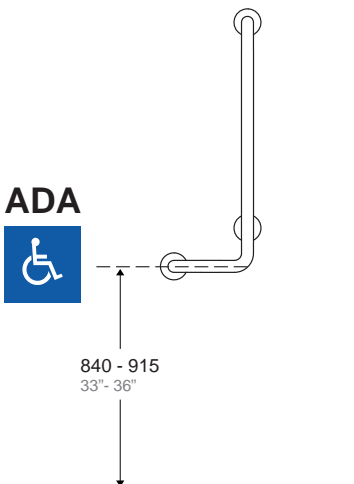
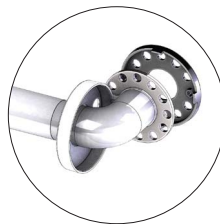


◆  
.2 LEFT

Dimensions: center to center

**90° GRAB BAR**

Concealed mounting flange in stainless steel



ITEM	◆	A	B
4CN.422.001U. xx . x		18"	24"
4CN.422.002U. xx . x		18"	36"
4CN.422.003U. xx . x		24"	24"
4CN.422.004U. xx . x		24"	36"
4CN.422.005U. xx . x		30"	24"
4CN.422.006U. xx . x		30"	30"
4CN.422.007U. xx . x		30"	36"

**.XX SYANDARD FINISH**

**POLYAMIDE 6**

.A1	.01	.02	.03	.04	.05	.07	.09	.10	.17
LRV light reflectance value	87	76	65	27	9	5			

The manufacturer reserves the right to make changes and improvements in designs and dimensions.

**90° GRAB BAR**

Rail 1-7/16" (36 mm) outer diameter in polyamide-6 with full-length aluminum core. Fully recyclable polyamide-6 bends connected with 3-3/16" (Ø 80 mm) flanges.

Cover in fully recyclable polyamide-6. Mounting flanges with steel core, 1/8" (3mm) thick, and polyamide-6 wall protection. Each cover snaps over mounting flange to conceal mounting screws.

Clearance between the grab bar and wall is 1-1/2" (38 mm).

For strength installation and maintenance see page 158.

**MOUNTING KITS** not included.

Optional mounting kit for concrete, natural stone, solid brick and hollow brick: KIT 4CN.0VM.0004.00.

Optional mounting kit for sheetrock wall and wooden plate: KIT 4CN.0VM.0010.00.

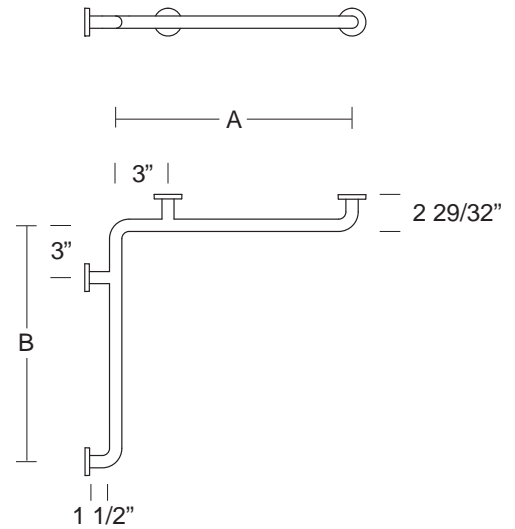
Optional mounting kit for toilet partition: KIT 4CN.0VM.0040.00.

One mounting kit is required for each flange - see page 162.

**SAFETY WARNING**

Grab bars must be firmly secured to the anchors and the walls in order for them to support the weight they are designed for. Grab bars alone are not stronger than anchors and walls. In case the grab bar is not securely anchored to the wall, the building owner or maintenance personnel must remove it from service to avoid any accident or injury.

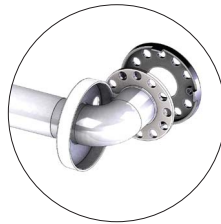




Dimensions: center to center

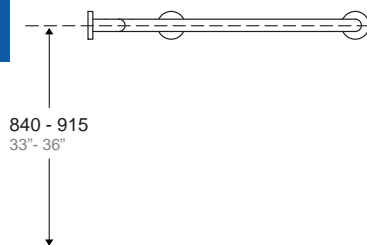
**TWO-WALL GRAB BAR**

Concealed mounting flange in stainless steel



ITEM	A	B
4CN.442.001U. xx	24"	36"
4CN.442.002U. xx	36"	54"
4CN.442.003U. xx	42"	54"

**ADA**



**.XX SYANDARD FINISH**

**POLYAMIDE 6**

LRV light reflectance value	.A1	.01	.02	.03	.04	.05	.07	.09	.10	.17
		87	76		65		27	9	5	

**TWO-WALL GRAB BAR**

Rail 1-7/16" (36 mm) outer diameter in polyamide-6 with full-length aluminum core. Fully recyclable polyamide-6 bends connected with 3-3/16" (Ø 80 mm) flanges.

Cover in fully recyclable polyamide-6. Mounting flanges with steel core, 1/8" (3mm) thick, and polyamide-6 wall protection. Each cover snaps over mounting flange to conceal mounting screws.

Clearance between the grab bar and wall is 1-1/2" (38 mm).

For strength installation and maintenance see page 158.

**MOUNTING KITS** not included.

Optional mounting kit for concrete, natural stone, solid brick and hollow brick: KIT 4CN.OVM.0004.00.

Optional mounting kit for sheetrock wall and wooden plate: KIT 4CN.OVM.0010.00.

Optional mounting kit for toilet partition: KIT 4CN.OVM.0040.00.

One mounting kit is required for each flange - see page 162.

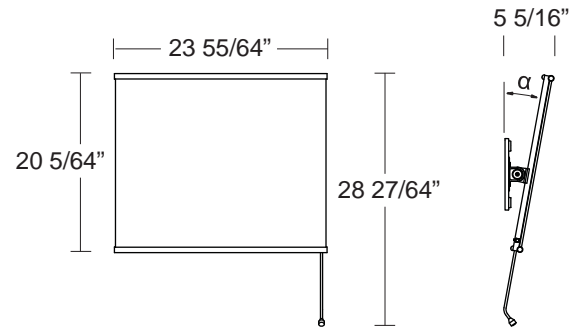
**SAFETY WARNING**

Grab bars must be firmly secured to the anchors and the walls in order for them to support the weight they are designed for. Grab bars alone are not stronger than anchors and walls. In case the grab bar is not securely anchored to the wall, the building owner or maintenance personnel must remove it from service to avoid any accident or injury.





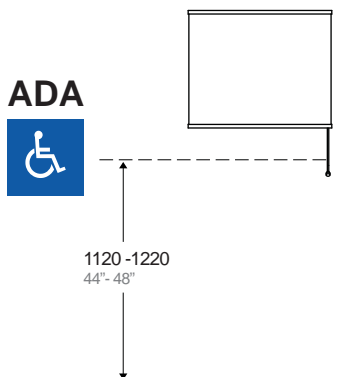
MIRRORS



**ADJUSTABLE MIRROR WITH STAINLESS STEEL FRAME AND CONTROL ROD**

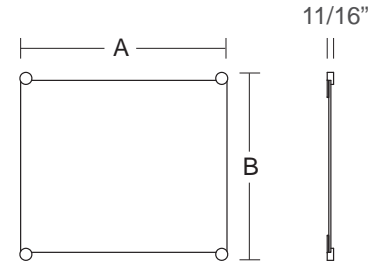
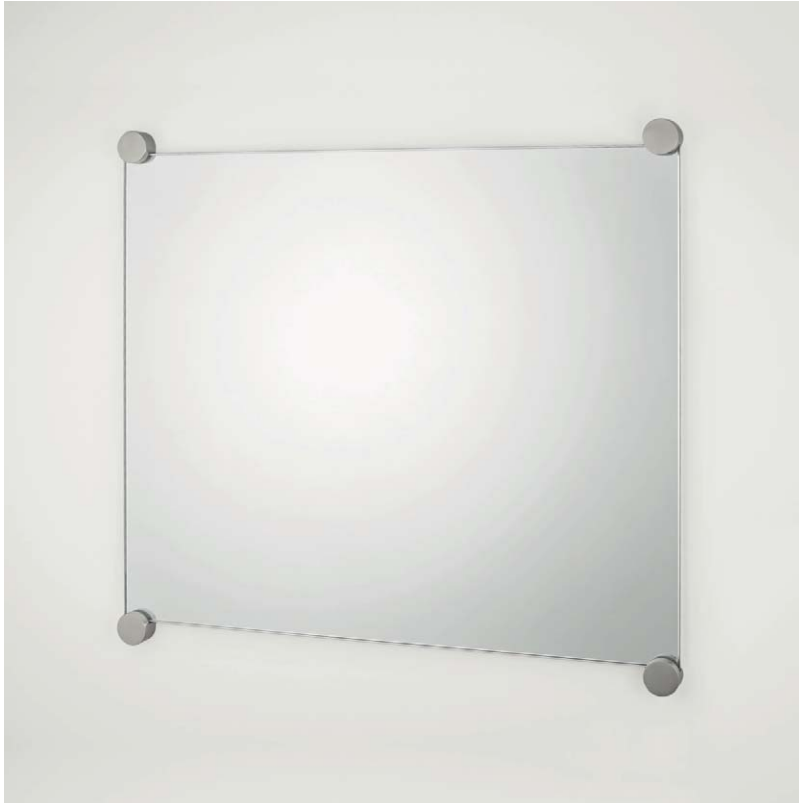
ITEM	$\alpha$
4CS.470.000D. xx	10°

Adjustable crystal glass 15/64" (6 mm) thickness mirror pane with stainless steel frame and control rod. Mounting plate in fully recyclable polyamide-6 with diecast zamak 15 and adjustable friction. 4 screws holes for attachment to wall. Mounting kit for solid brick / concrete included.



**.XX STANDARD FINISH**  
**STAINLESS STEEL AISI 316L**

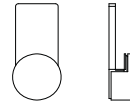
<b>.44 SATIN</b>	<b>.43 BRIGHT</b>



**SPARE PART**

**4CS.490.0WHR. xx**

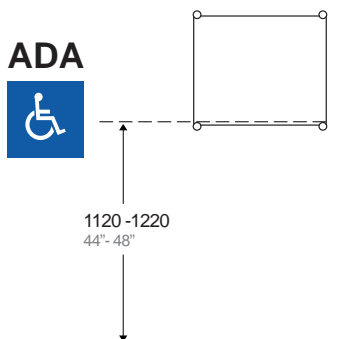
Set of 4 fully recyclable polyamide-6 wall supports with stainless steel caps for fixed mirror.



**FIXED MIRROR WITH STAINLESS STEEL HOLDERS**

ITEM	A	B
<b>4CS.490.000R. xx</b>	23 5/8"	21 21/32"
<b>4CS.490.00QR. xx</b>	23 5/8"	27 9/16"
<b>4CS.490.00AR. xx</b>	23 5/8"	39 3/8"

Crystal glass 15/64" (6 mm) thickness mirror pane attached to wall with 4 fully recyclable polyamide-6 wall supports included. Stainless steel caps to conceal fixing screws.  
Mounting kit for solid brick / concrete included.



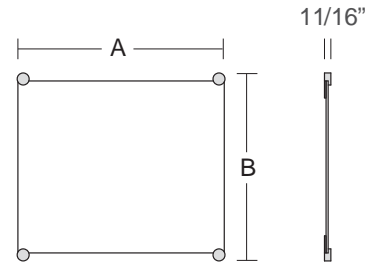
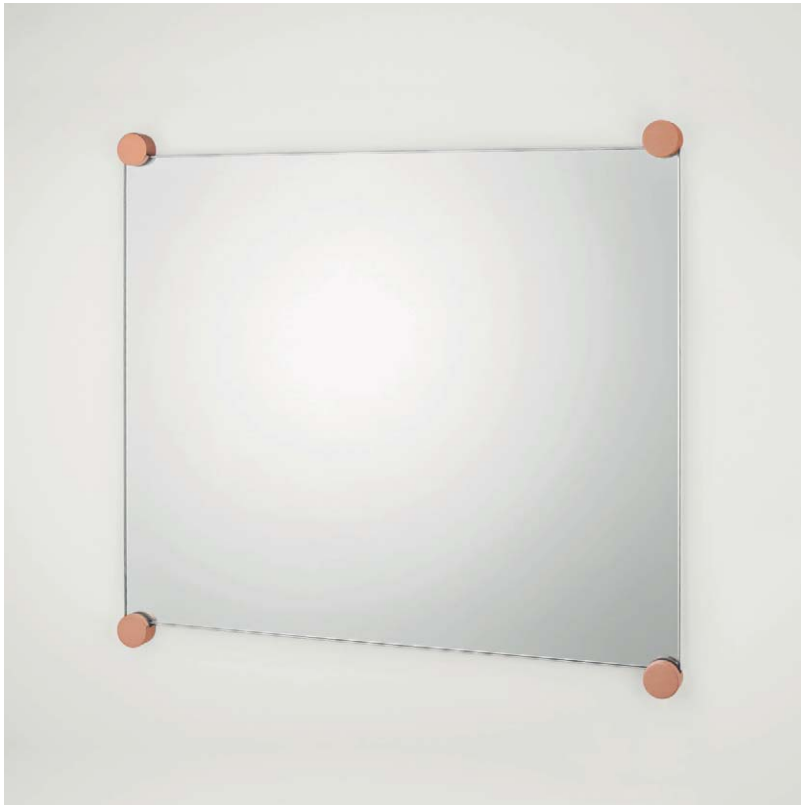
**.XX STANDARD FINISH**

**STAINLESS STEEL AISI 316L**

**.44 SATIN**

**.43 BRIGHT**



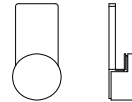


□ Semi-Bright Copper Plated

**SPARE PART**

**4CS.490.0WHR. xx**

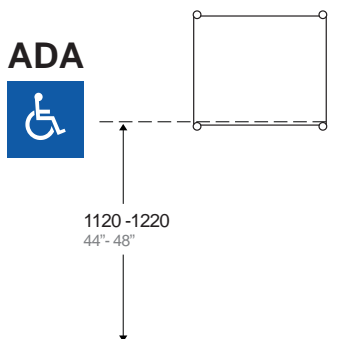
Set of 4 fully recyclable polyamide-6 wall supports with stainless steel caps for fixed mirror.



**FIXED MIRROR WITH COPPER FINISH HOLDERS**


ITEM	A	B
<b>4CU.490.000R. 58</b>	23 5/8"	21 21/32"
<b>4CU.490.00QR. 58</b>	23 5/8"	27 9/16"
<b>4CU.490.00AR. 58</b>	23 5/8"	39 3/8"

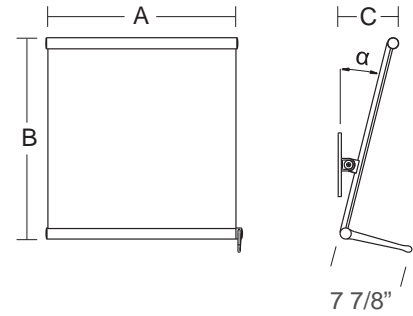
Crystal glass 15/64" (6 mm) thickness mirror pane attached to wall with 4 fully recyclable polyamide-6 wall supports included. Copper finish caps to conceal fixing screws.  
Mounting kit for solid brick / concrete included.



**STANDARD FINISH**

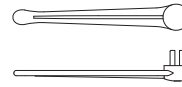
**COPPER**

- .58** SEMI-BRIGHT
-  COPPER PLATED



**SPARE PART**

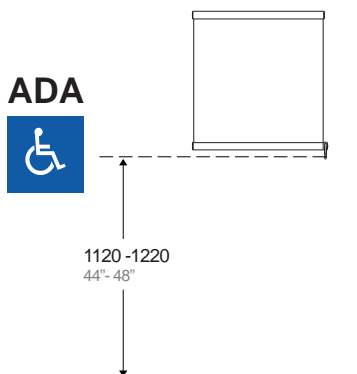
**4CN.411.00SA. xx**  
Spare fully recyclable polyamide-6 control rod for adjustable mirror.



**ADJUSTABLE MIRROR WITH POLYAMIDE-6 FRAME AND CONTROL ROD**

ITEM	A	B	C	α
<b>4CN.470.000D .xx</b>	23 5/8"	20 1/4"	6 5/16"	18°
<b>4CN.470.00QD .xx</b>	23 5/8"	26 3/16"	7 7/8"	14°

Adjustable crystal glass 15/64" (6 mm) thickness mirror pane with polyamide-6 frame and control rod included. Mounting plate in fully recyclable polyamide-6 with diecast zamak 15 and adjustable friction. 4 screws holes for attachment to wall. Mounting kit for solid brick / concrete included.



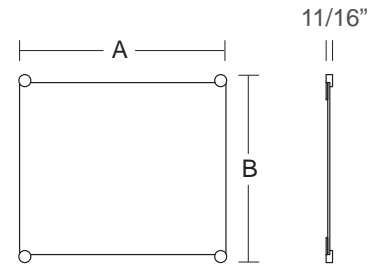
**.XX SYANDARD FINISH**

**POLYAMIDE 6**

.A1	.01	.02	.03	.04	.05	.07	.09	.10	.17
LRV light reflectance value	87	76	65	65	27	9	5		

The manufacturer reserves the right to make changes and improvements in designs and dimensions.

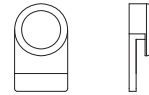




**SPARE PART**

**4CN.490.0WHR. xx**

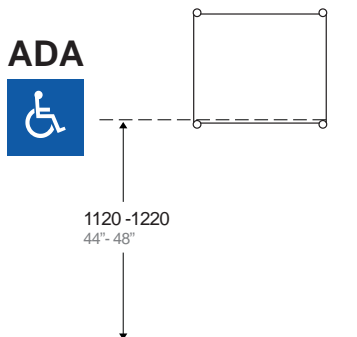
Set of 4 fully recyclable polyamide-6 wall supports for fixed mirror.



**FIXED MIRROR WITH STAINLESS STEEL HOLDERS**

ITEM	A	B
<b>4CN.490.000R. xx</b>	23 5/8"	21 21/32"
<b>4CN.490.00QR. xx</b>	23 5/8"	27 9/16"
<b>4CN.490.00AR. xx</b>	23 5/8"	39 3/8"

Crystal glass 15/64" (6 mm) thickness mirror pane attached to wall with 4 fully recyclable polyamide-6 wall supports included. Mounting kit for solid brick / concrete included.



**.XX SYANDARD FINISH**

**POLYAMIDE 6**

.A1	.01	.02	.03	.04	.05	.07	.09	.10	.17
LRV light reflectance value	87	76	65	27	9	5			

The manufacturer reserves the right to make changes and improvements in designs and dimensions.

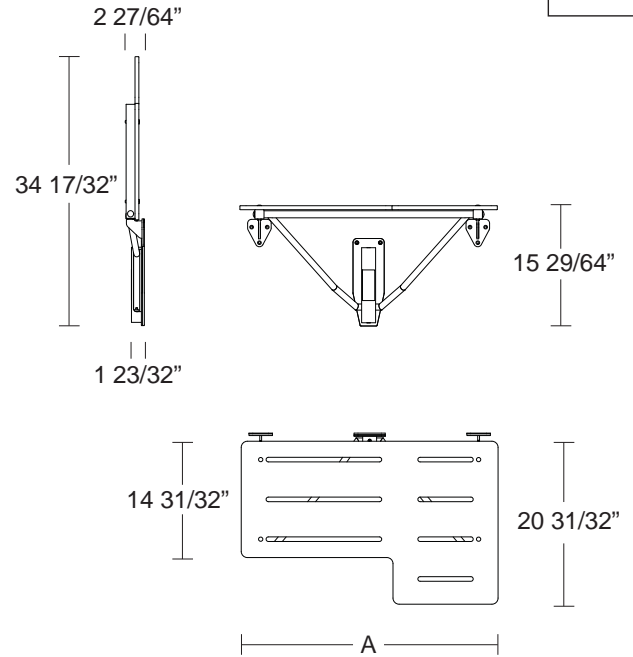


SHOWER SEATS



PATENT PENDING  
APPLICATION NUMBER  
USA 17217438

**PBA  
PATENTED  
SYSTEM**



**FOLDING SHOWER SEAT**

ITEM	A
4CS.447.UL01. xx	21"
4CS.447.UL02. xx	27"
4CS.447.UL03. xx	33"

**FOLDING SHOWER SEAT**

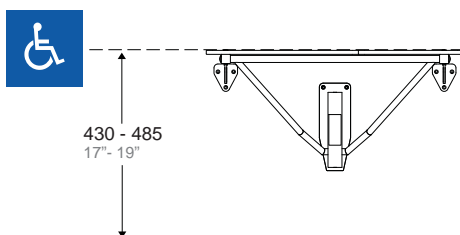
Seat 1/2" (13 mm) thick solid high pressure laminated (HPL) with slots for water drainage, connected to frame with type-316 stainless steel bolts. Reversible for left / right installation on site. Frame type-316L satin finish stainless steel 1-1/4" (30 mm) square tube connected with 25/32" (20 mm) diameter tube. Mounting flanges and Guide Bracket in type-316L satin finish stainless steel 15/64" (6 mm) thick with fully recyclable polyamide-6 wall protection. 9 screw holes for attachment to wall. Adjustable frictioning system.

**MOUNTING KITS** not included.

Optional mounting kit for concrete, natural stone, solid brick and hollow brick: KIT 4CN.0VM.0042.00.

Optional mounting kit for sheetrock wall and wooden plate: KIT 4CN.0VM.0043.00.

**ADA**



.XX STANDARD FINISH  
STAINLESS STEEL AISI 316L

.44 SATIN .43 BRIGHT

SEAT  
STANDARD FINISH

WHITE BLACK

Other colors on request - minimum quantity required

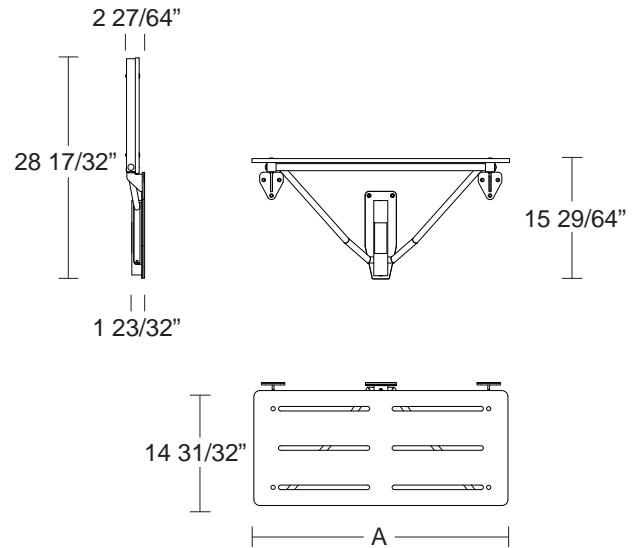


PATENT PENDING  
APPLICATION NUMBER  
USA 17217438

**PBA**  
**PATENTED**  
**SYSTEM**



PATENTED



**FOLDING SHOWER SEAT**

ITEM	A
4CS.447.UR01. xx	21"
4CS.447.UR02. xx	27"
4CS.447.UR03. xx	33"

**FOLDING SHOWER SEAT**

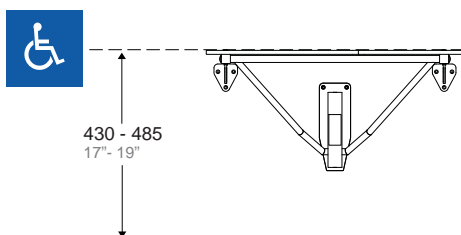
Seat 1/2" (13 mm) thick solid high pressure laminated (HPL) with slots for water drainage, connected to frame with type-316 stainless steel bolts. Frame type-316L satin finish stainless steel 1-1/4" (30 mm) square tube connected with 25/32" (20 mm) diameter tube. Mounting flanges and Guide Bracket in type-316L satin finish stainless steel 15/64" (6 mm) thick with fully recyclable polyamide-6 wall protection. 9 screw holes for attachment to wall. Adjustable frictioning system.

**MOUNTING KITS** not included.

Optional mounting kit for concrete, natural stone, solid brick and hollow brick: KIT 4CN.0VM.0042.00.

Optional mounting kit for sheetrock wall and wooden plate: KIT 4CN.0VM.0043.00.

**ADA**



**.XX STANDARD FINISH**  
**STAINLESS STEEL AISI 316L**

**.44 SATIN**      **.43 BRIGHT**

**SEAT**  
**STANDARD FINISH**

WHITE       BLACK

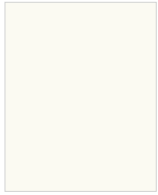
Other colors on request - minimum quantity required



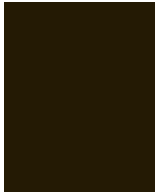
HPL SEAT PANEL FOR 316L STAINLESS STEEL 4CS SEAT

This product contributes to LEED® credit

STANDARD COLORS



White Megeve



Black

AVAILABLE COLORS (minimum quantity requested)



Anise Flower



Green Apple



Cactus



Bali Green



Imperial Green



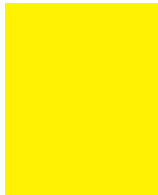
Teal Green



Caviar



Storm Gray



Lemon Zest



Broom



Vinyl



Florida



Nasturtium



Red Amaranth



Mink Gray



Moon Stone



Sambra Yellow



Fatal Red



Red Cherry



Indian Pink



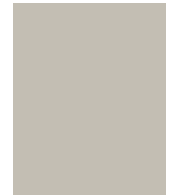
Pink Bougainvillea



Cyclamen



Nutmeg



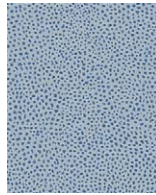
Natural Beige



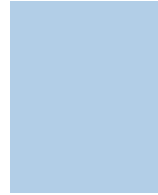
Velvet Blue



Thistle



Indigo Zest



Oslo Blue



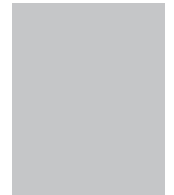
Flash Blue



Caribbean Blue



Ash Gray



Pearl Gray



Emerald



Mousse



Celadon



Big Blue



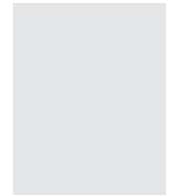
Turquoise



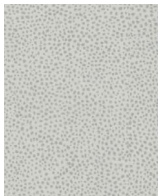
Batik Blue



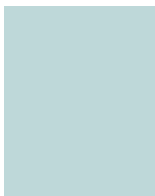
Paloma Gray



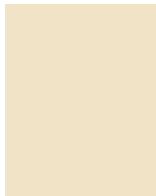
Dove Gray



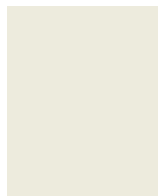
Cocco Zest



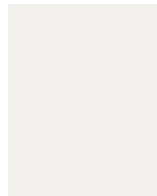
Blue Mist



Egg Shell



Orgeat



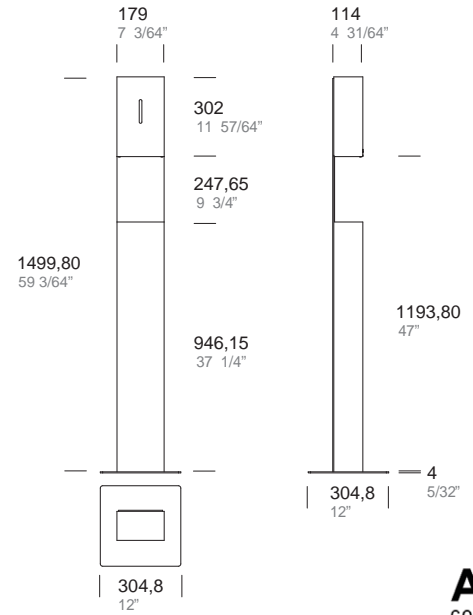
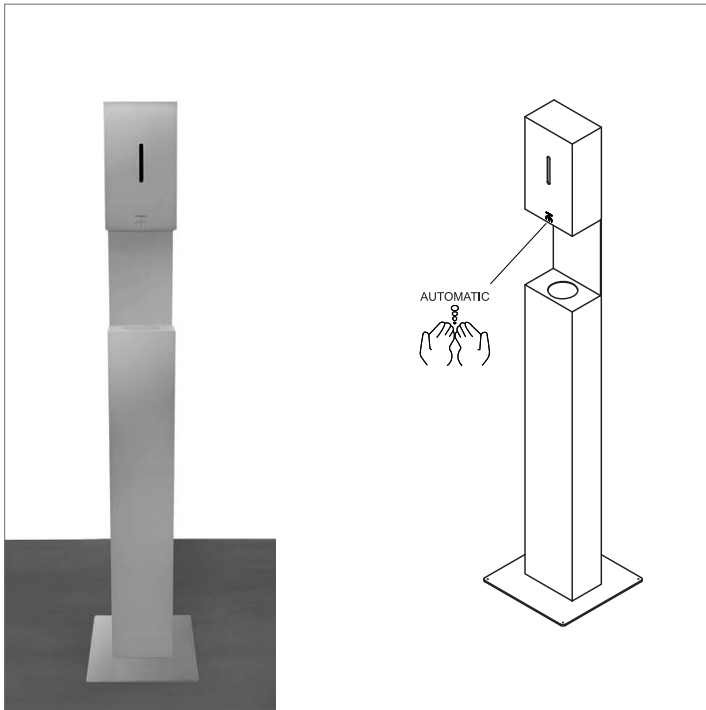
White Menuires



HAND SANITIZER COVER



Product design consultant Gensler



**ADA**  
compliant

**DESIGN 1 - FREESTANDING**

ITEM

**GBA.001.00D1. xx**



Available with removable deep drip tray  
see page 149.

**.XX STANDARD FINISH**

**STAINLESS STEEL AISI 316L**

**POWDER COATED FINISH**

**.44 SATIN**



**.31 .38 .39 .32 .40**

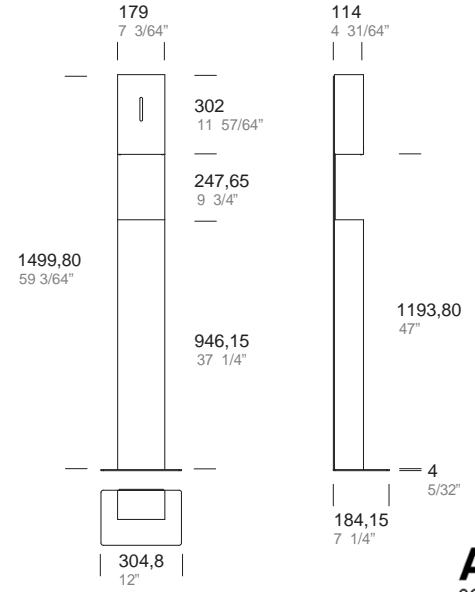
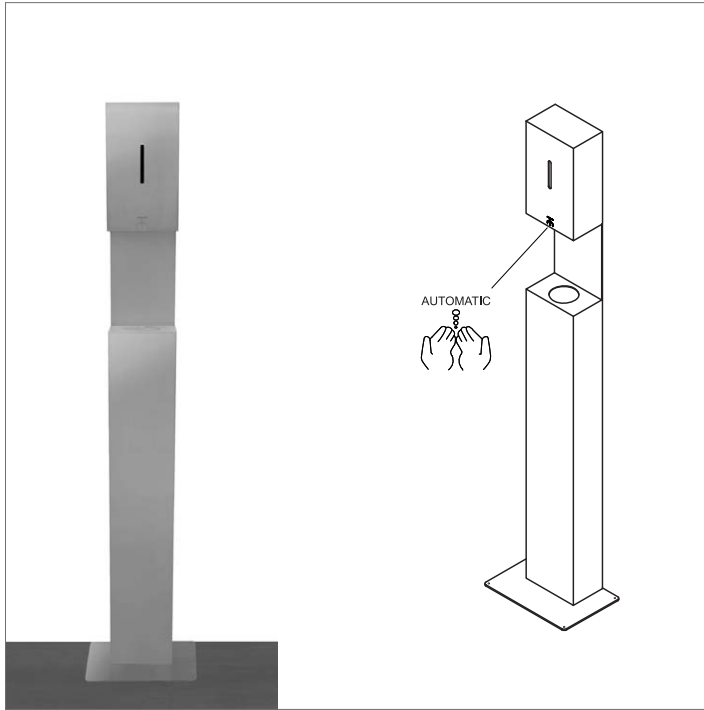


pba Hand Sanitizer Covers are compatible with all motion-activated hand sanitizer dispensers with these maximum dimensions: 298,5 mm (11,75") h x 163,9 mm (6,45") b x 104,2 mm (4,1"). See the Installation Note on page 149 for a list of hand sanitizer dispensers that have been verified as compatible.

The manufacturer reserves the right to make changes and improvements in designs and dimensions.



Product design consultant Gensler



ADA  
compliant

DESIGN 2 - FREESTANDING (AGAINST WALL)

ITEM

GBA.001.00D2. xx



Available with removable deep drip tray  
see page 149.

.XX STANDARD FINISH

STAINLESS STEEL AISI 316L

POWDER COATED FINISH

.44 SATIN



.31 .38 .39 .32 .40



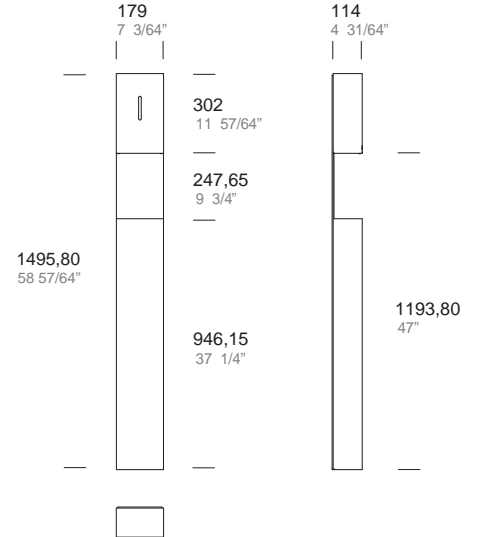
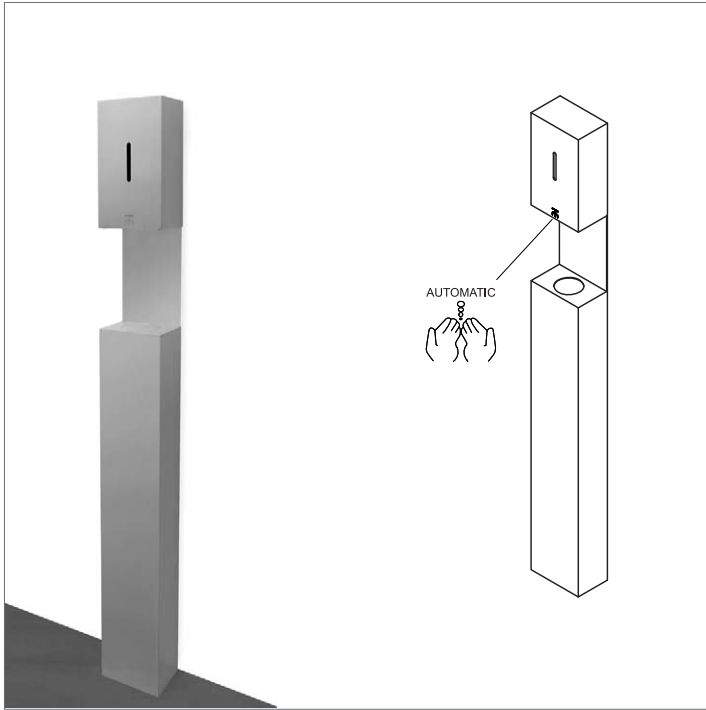
pba Hand Sanitizer Covers are compatible with all motion-activated hand sanitizer dispensers with these maximum dimensions: 298,5 mm (11,75") h x 163,9 mm (6,45") b x 104,2 mm (4,1"). See the Installation Note on page 149 for a list of hand sanitizer dispensers that have been verified as compatible.

The manufacturer reserves the right to make changes and improvements in designs and dimensions.





Product design consultant Gensler



**ADA  
compliant**

**DESIGN 3 - FREESTANDING - WALL-MOUNTED**

ITEM

**GBA.001.00D3. xx**



Available with removable deep drip tray  
see page 149.

**.XX STANDARD FINISH**

**STAINLESS STEEL AISI 316L**

**POWDER COATED FINISH**

**.44 SATIN**



**.31**



**.38**



**.39**



**.32**



**.40**



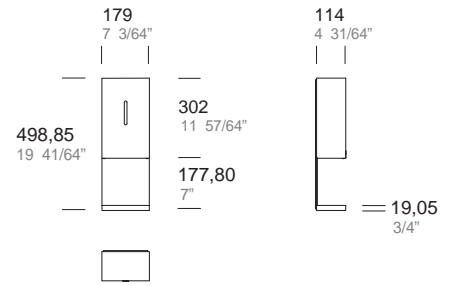
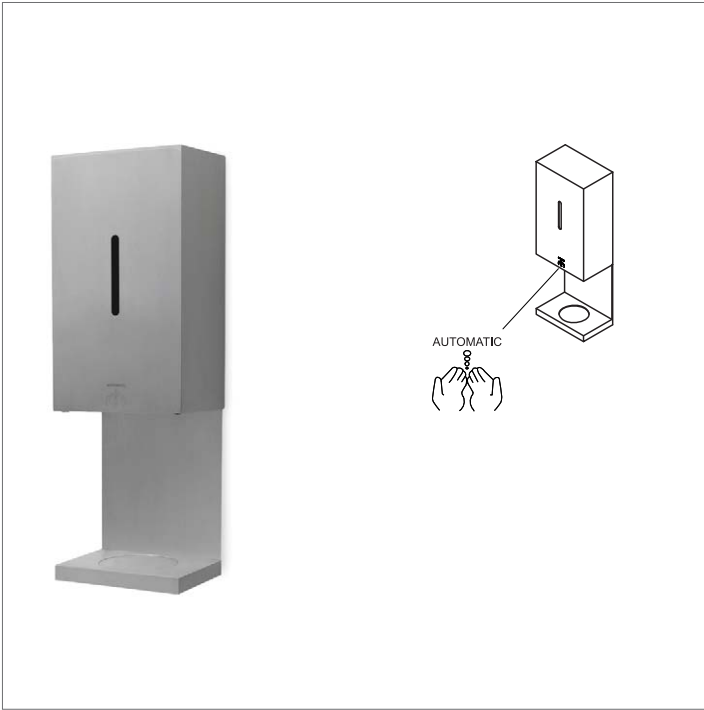
pba Hand Sanitizer Covers are compatible with all motion-activated hand sanitizer dispensers with these maximum dimensions: 298,5 mm (11.75") h x 163,9 mm (6.45") b x 104,2 mm (4.1"). See the Installation Note on page 149 for a list of hand sanitizer dispensers that have been verified as compatible.

The manufacturer reserves the right to make changes and improvements in designs and dimensions.





Product design consultant Genstler



**ADA compliant**  
when wall-mounted  
over a counter or  
similar and not in  
the circulation path.

**DESIGN 4 - WALL-MOUNTED**

ITEM

**GBA.001.00D4. xx**



Available with removable deep drip tray  
see page 149.

**.XX STANDARD FINISH**

**STAINLESS STEEL AISI 316L**

**POWDER COATED FINISH**

**.44 SATIN**



**.31 .38 .39 .32 .40**

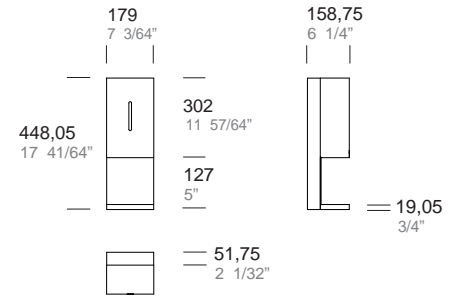
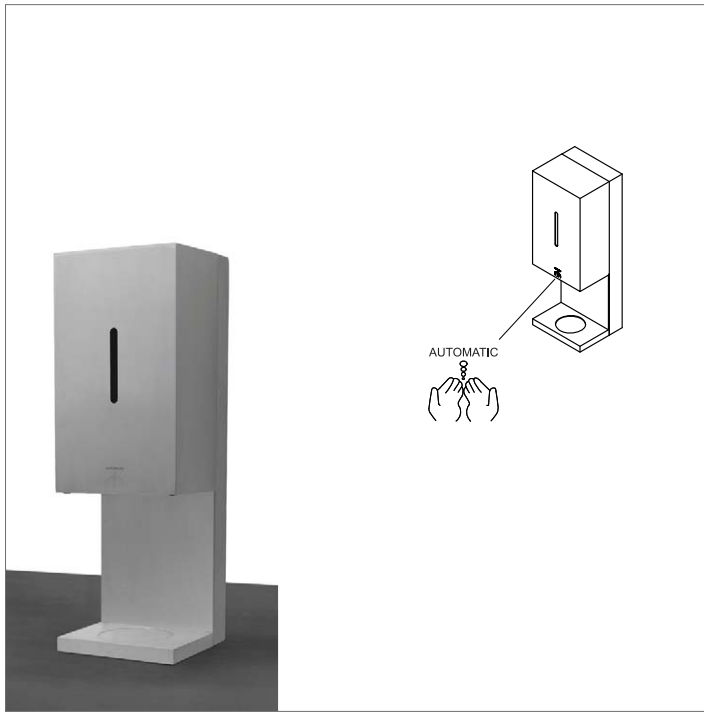


pba Hand Sanitizer Covers are compatible with all motion-activated hand sanitizer dispensers with these maximum dimensions:  
298,5 mm (11,75") h x 163,9 mm (6,45") b x 104,2 mm (4,1").  
See the Installation Note on page 149 for a list of hand sanitizer dispensers that have been verified as compatible.

The manufacturer reserves the right to make changes and improvements in designs and dimensions.



Product design consultant Genstler



**DESIGN 5 - COUNTERTOP**

ITEM

**GBA.001.00D5. xx**



Available with removable deep drip tray  
see page 149.

**.XX STANDARD FINISH**

**STAINLESS STEEL AISI 316L**

**POWDER COATED FINISH**

**.44 SATIN**



**.31 .38 .39 .32 .40**



pba Hand Sanitizer Covers are compatible with all motion-activated hand sanitizer dispensers with these maximum dimensions: 298,5 mm (11.75") h x 163,9 mm (6.45") b x 104,2 mm (4.1"). See the Installation Note on page 149 for a list of hand sanitizer dispensers that have been verified as compatible.

The manufacturer reserves the right to make changes and improvements in designs and dimensions.

SATIN FINISH



STAINLESS STEEL



Satin  
.44

LASER CUT  
LOGO CUSTOMIZATION

POWDER-COATED FINISH



STAINLESS STEEL POWDER-COATED



White .31  
Champagne .38  
Bronze .39  
Grey .32  
Black .40

LASER CUT / BACKFILLED  
LOGO CUSTOMIZATION

SATIN FINISH



STAINLESS STEEL



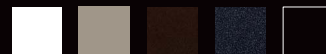
Satin  
.44

LASER CUT / BACKFILLED  
LOGO CUSTOMIZATION

POWDER-COATED FINISH



STAINLESS STEEL POWDER-COATED



White .31  
Champagne .38  
Bronze .39  
Grey .32  
Black .40





# PROJECT GUIDE





## pba PROJECT GUIDE

This Project Guide is intended for planners, architects, designers, specifiers, building owners and facilities/property managers.

The Americans with Disabilities Act (ADA) sets the minimum requirements – both scoping and technical – for newly designed and constructed or altered state and local government facilities, public accommodations, and commercial facilities to be readily accessible to and usable by individuals with disabilities.

In designing restrooms, this demands each type of fixture or feature, and the installation location, to meet accessibility requirements contained in the 2010 ADA Standards for Accessible Design.

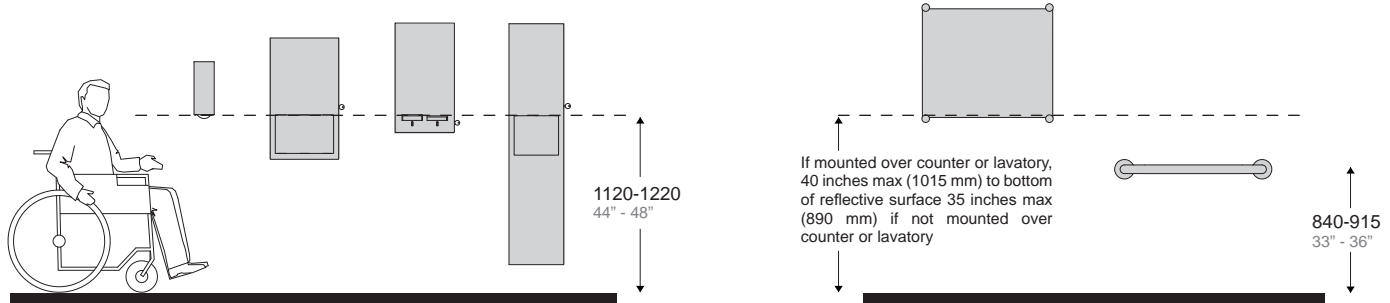
Some projects may also need to comply with the provisions of the 2017 Edition of ICC A117.1, Accessible and Usable Buildings and Facilities (certified by the American National Standards Institute or ANSI).

The information contained herein represents pba's interpretation of the 2010 ADA Standards for Accessible Design (referred to as, 2010 ADA Standards) and the 2017 Edition of ICC A117.1, Accessible and Usable Buildings and Facilities (referred to as 2017 ICC Standards) and is only of an advisory nature. Using this document does not replace the study and understanding of the two accessibility standards referred to.

## REACH RANGES AND SPACE REQUIREMENTS

**Fig.1**

Mounting Heights for Restroom Accessories



**Fig.1a**

Upper Range of Mounting Heights for Restroom Accessories with Operable Parts

**Fig.1b**

Mirror and Toilet Grab Bar Mounting Heights

## REACH RANGES AND MOUNTING HEIGHTS

Based on the position of individual accessories and the direction of reach required for their use, Reach Ranges and Mounting Heights for restroom accessories may vary within a facility.

To allow use by people with limited reach range, accessories must be mounted with their "operable parts" such as dispensing mechanisms, start buttons, coin slots, outlets, or dispenser openings, located at the max height of 48 inches (1220mm) above the finish floor (Fig. 1a).

Where accessories are mounted above obstructions (e.g. counters or waste receptacles), depending on the nature and depth of the obstruction, they must be located between 44 inches and 48 inches (1120 and 1220mm) maximum above the finish floor. To provide a forward approach, accessories mounted on, behind and above standard depth lavatory counters of between 20 to 25 inches (510-635mm) are limited to a maximum mounting height of 44 inches (1120mm) above the floor to the operable portion. The operable portions of any accessory should be mounted no lower than 15 inches (380mm) above the floor, while the 2017 ICC Standards limit the operable portions of dispensers in toilet compartments to no lower than 18 inches (455mm) (Fig. 2a).

## RESTROOM AMENITIES

Restroom accessories with leading edges more than 27 inches (685mm) and not more than 80 inches (2030mm) above the finish floor shall protrude 4 inches (100mm) maximum horizontally into the circulation path. If the leading edge is 27 inches (685mm) or below, any projection amount is allowed as long as the required minimum width of an adjacent clear access aisle is maintained. This rule is specifically designed to ensure detection when a cane is used and to avoid body contact, and can benefit any user.

All floor standing and surface-mounted units protruding more than 4 inches (100mm) shall be located in alcoves, or between other structural elements to avoid interference with access aisles or wheelchair turning areas. Fully recessed accessories are the recommended choice throughout universally designed restrooms. Forward and side approaches, as well as left- and right-hand use should be taken into account when determining the mounting location of all restroom accessories.

**Mirrors** located above lavatories or countertops shall be installed with the bottom edge of the reflecting surface 40 inches (1015mm) maximum above the finish floor (Fig. 1b). Mirrors not located over lavatories or countertops shall be installed with the bottom edge of the reflecting surface no more than 35 inches (890mm) above the finish floor (Fig. 1b). A single full-length mirror can accommodate a greater number of people, including children.

**Soap Dispensers** installed over lavatories must be mounted so that push buttons or operable parts meet specified reach ranges. Lavatory-mounted soap dispensers and lever-handle faucets should be far enough to avoid interference with their functioning and can be operated by accessible lavatory users.

To provide universal usability, soap dispensers compliant with the 2010 ADA Standards for controls and operating mechanisms shall be installed throughout restrooms. When soap dispensers are mounted above a lavatory countertop that is more than 20 inches (510mm) deep, the maximum mounting height is 44 inches (1120mm) above the finish floor. The 2017 ICC Standards mandate that when "enhanced reach ranges" is required in accessible lavatories, faucets and soap dispenser controls have a reach depth of 11 inches (280mm) maximum (Fig. 2a)

**Towel Dispensers and Waste Receptacles** should be located in an area that is accessible to people using wheelchairs, so as to be conveniently usable at the accessible lavatory. Where reaching is obstructed, altered installation heights and locations for paper towel dispensers and hand dryers are required pursuant to the 2017 ICC Standards. The operable portions of these elements may need to be installed as low as 34 inches (865mm). (Fig. 2a)

**Sanitary Napkin/Tampon Dispenser** are recommended in all women's restrooms for a convenient access to hygienic products. All units shall meet the 2010 ADA Standards for operating mechanisms, clear floor space and accessible mounting heights to provide universal usability. The recommended choice for universally designed women's restrooms is dispensers with push-button operation mechanisms activated with less than 5 lbs. (22.2 N) of force.

## ACCESSORIES IN TOILET COMPARTMENT INSTALLATIONS

Every toilet compartment must include a number of accessories. These must be located on the side wall or partition nearest the toilet in accessible compartments, and just in front of the leading edge of the toilet seat for an accessible reach.

The 2010 ADA Standards require that no part of any accessory (surface mounted or recessed) protruding from the wall or partition can be installed if interfering with maneuvering space or access to grab bars. If mounted above grab bars, no part of a protruding accessory can extend closer than 12 inches (305mm) to the top of the grab bar (Fig. 2b). The space between the grab bar and projecting objects below and at the ends shall be 1-1/2 inches (38mm) minimum (Fig. 2b). The 2010 ADA Standards require that operating mechanisms and accessible openings of dispensers and disposals inside the toilet compartment should be located 15 inches (380mm) minimum to 48 inches (1220mm) maximum above the finish floor. Toilet tissue dispensers must be located at 1-1/2 inches minimum (38mm) below a grab bar mounted between 33 inches (840mm) and 36 inches (915mm) above the floor. Note that the 2017 ICC Standards, maintain a higher (stricter) minimum mounting height for toilet paper dispenser outlets of 18 inches (455mm) above the finish floor (Figs. 2a - 2b - 2c). See the one exception below. The bottom of the lowest toilet tissue dispenser outlet can be no lower than 18 inches (455mm) above the floor (2017 ICC Standard) or 15 inches (380mm) above the floor (2010 ADA Standard).

**Roll Toilet Tissue Dispensers** in all accessible toilet compartments shall not be of a type that controls delivery or that does not allow continuous paper flow. As per 2010 ADA Standards, toilet paper dispensers shall be 7 inches (180 mm) minimum and 9 inches (230 mm) maximum in front of the leading edge of the toilet (Figs. 2a - 2b - 2c), measured to the centerline of the dispenser. The 2017 ICC Standards maintain a different measurement procedure, locating the dispenser outlet between 24 inches (610mm) minimum and 42 inches (1065mm) maximum from the rear wall of the toilet compartment.

However, the 2017 ICC Standards add a new exception in accessible toilet compartments for toilet tissue dispensers accommodating two rolls not more than 5 inches (125mm) in diameter. These particular dispensers are now permitted to be located in accordance with the 2010 ADA Standards: 7 inches (180mm) minimum to 9 inches (230mm) maximum from dispenser centerline to leading edge of the toilet.

The 2017 ICC Standards also establish a new minimum mounting height for these dispensers. Toilet tissue dispensers that accommodate two rolls not more than 5 inches (125mm) in diameter can now have the bottom of the tissue outlet located 15 inches (380mm) minimum and 48 inches (1220mm) maximum above the floor. Note that the recommended measuring point for toilet tissue dispensers is the bottom of the tissue outlet and not points higher on the dispenser such as the centerline of the spindle. Mounting locations and mounting heights are the same for recessed and surface mounted dispensers.

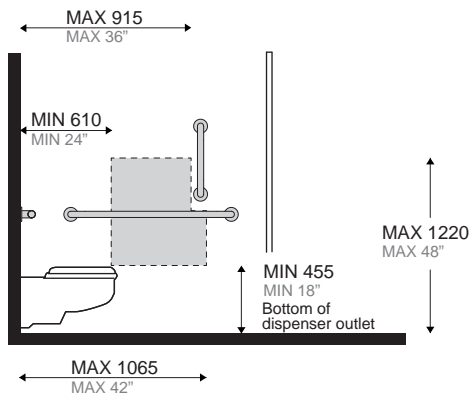
**Sanitary Napkin Disposal Units** are recommended in all women's toilet compartments. They should be within reach from a sitting position, and it is recommended that they be mounted below grab bars (Fig. 2c).

**Toilet Seat Cover Dispensers** are an optional amenity for all toilet compartments. The opening for toilet seat cover dispenser in accessible compartments needs to be mounted between 15 inches and 48 inches (380 and 1220mm) above the floor in an accessible location (Figs. 2a - 2c). It must allow recessed units (including combination dispenser/disposal units) to be installed behind grab bars with grab bar wall clearance spacing less than 1-1/2 inches (38mm), within 1-1/2 inches (38mm) below, or 12 inches (305mm) above the grab bar. A projection of as much as 1/4 inch (6.4mm) is allowed.

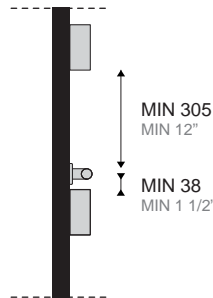
**Coat Hooks and Shelves.**

According to 2010 ADA Standard, where coat hooks or shelves are provided at least one must be within accessible reach range. If shelves are provided, at least one of each type must be located 40 inches min to 48 inches max. above finish floor (Fig. 2d).

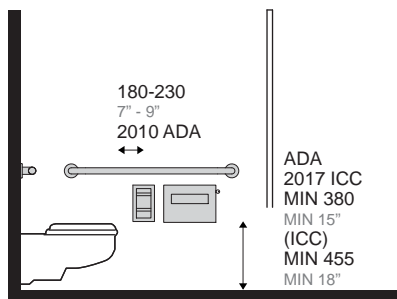
**Fig.2**  
Mounting Heights and space requirements for toilet compartment accessories



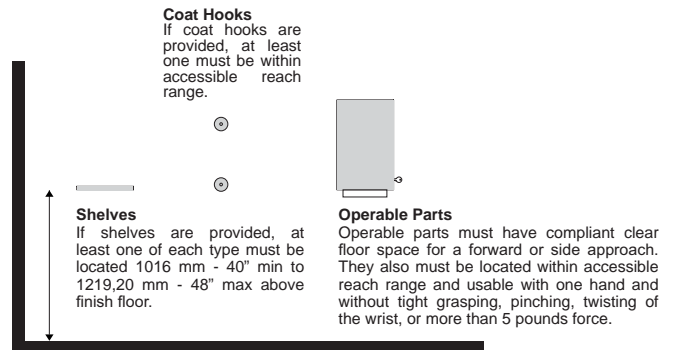
**Fig.2a**  
Outlet Location for Toilet Paper Dispenser



**Fig.2b**  
Protruding Objects Mounted near Grab Bars

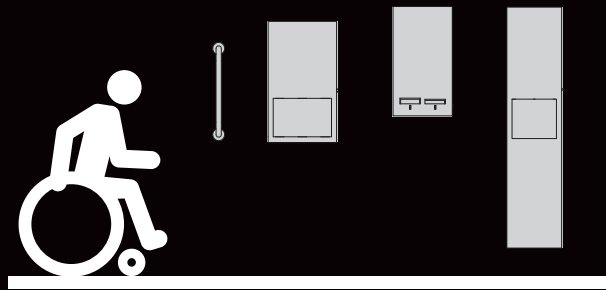


**Fig.2c**  
Individual Accessories (2010 ADA)



**Fig.2d**  
Dispenser, Receptacles, Coat, Hooks and Shelves.  
The 2010 ADA standard require that.

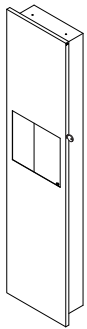
# GUIDE TO THE PROJECT





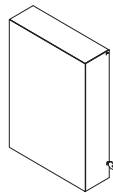
# VIP LOUNGE

## FEATURED PRODUCTS



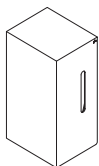
**GBA.101.0000.44**  
COMBINATION PAPER TOWEL  
DISPENSER / WASTE UNIT  
SMALL - RECESSED

page 14



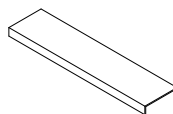
**GBA.104.0000.44**  
PAPER TOWEL DISPENSER  
SURFACE MOUNTED

page 28



**GBA.108.0002.44**  
AUTOMATIC SOAP DISPENSER  
SURFACE MOUNTED

page 40



**GBA.120.0001.44**  
SHELF

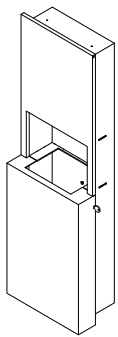
page 74





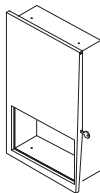
## CLASSIC LOBBY - HOSPITALITY - OFFICE

### FEATURED PRODUCTS



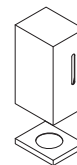
**GBA.105.0001.44**  
**GBA.105.0002.44**  
 COMBINATION PAPER TOWEL  
 DISPENSER / WASTE UNIT

page 18



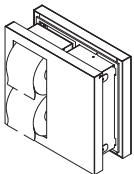
**GBA.106.0001.44**  
**GBA.106.0002.44**  
 PAPER TOWEL  
 DISPENSER

page 30



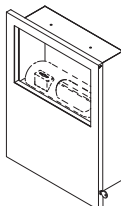
**GBA.108.0001.44**  
 AUTOMATIC SOAP DISPENSER  
 WITH DRIP TRAY - SURFACE  
 MOUNTED

page 38



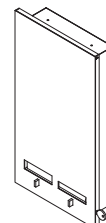
**GBA.114.0000.44**  
 TOILET TISSUE DISPENSER  
 DOUBLE SMALL ROLL  
 PARTITION UNIT

page 54



**GBA.122.0000.44**  
 SHARPS CONTAINER  
 RECESSED

page 80



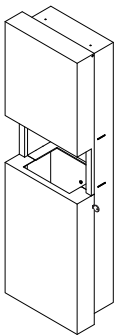
**GBA.123.0000.44**  
 SANITARY NAPKIN/TAMPON  
 DISPENSER - RECESSED

page 84



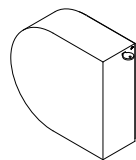
# CUBICLE

## FEATURED PRODUCTS



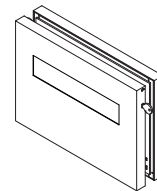
**GBA.105.0001.44**  
**GBA.105.0003.44**  
 COMBINATION PAPER TOWEL  
 ROLL DISPENSER / WASTE UNIT

page 22



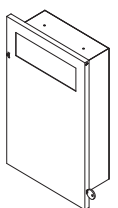
**GBA.112.0000.44**  
 TOILET TISSUE DISPENSER  
 LARGE ROLL  
 SURFACE MOUNTED

page 46



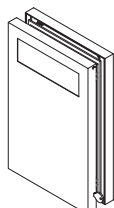
**GBA.116.0000.44**  
 TOILET SEAT COVER DISPENSER  
 PARTITION UNIT

page 62



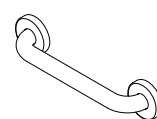
**GBA.117.0000.44**  
 SANITARY NAPKIN / TAMPON  
 WASTE UNIT - RECESSED

page 66



**GBA.118.0000.44**  
 SANITARY NAPKIN / TAMPON  
 WASTE - PARTITION UNIT

page 68



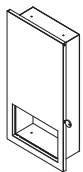
**4CN.440.001U.10**  
 GRAB BAR

page 104



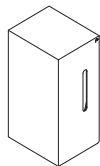
## SINGLE - USER

### FEATURED PRODUCTS



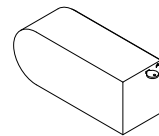
**GBA.103.0000.44**  
PAPER TOWEL DISPENSER  
RECESSED

page 26



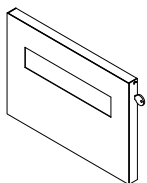
**GBA.108.0002.44**  
AUTOMATIC SOAP DISPENSER  
SURFACE MOUNTED

page 40



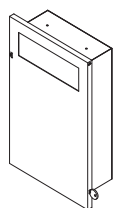
**GBA.111.0000.44**  
TOILET TISSUE DISPENSER  
DOUBLE SMALL ROLL  
COVERED SURFACE MOUNTED

page 44



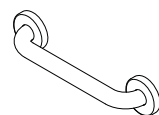
**GBA.115.0000.44**  
TOILET SEAT  
COVER DISPENSER  
SURFACE MOUNTED

page 60



**GBA.117.0000.44**  
SANITARY NAPKIN / TAMPON  
WASTE UNIT - RECESSED

page 66



**4CS.440.001U.44**  
GRAB BAR

page 88





## TECHNICAL INFORMATION

**PBA  
ANTI-MICROBIAL COATING**

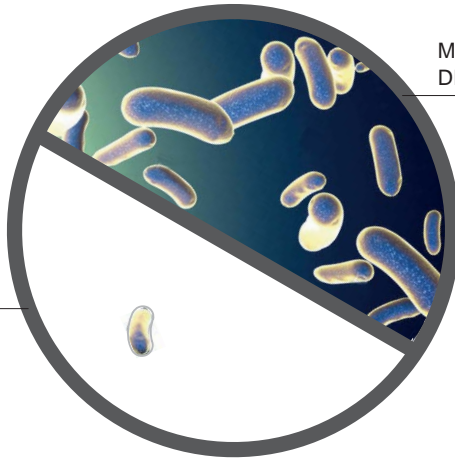
**AMC**

PRODUCTS IN STAINLESS STEEL HAVE NATURAL ANTIBACTERIAL PROPERTIES AND A GOOD HANDLE ON CLEANLINESS.

PBA ANTI-MICROBIAL COATING (AMC) IS AN INNOVATIVE FINISHING HIGHLY RECOMMENDED FOR ALL SITUATIONS WHERE HYGIENE IS EXTREMELY IMPORTANT NOT ONLY FOR THE DESTINATION, BUT ALSO FOR THE HIGH ATTENDANCE LIKE HOSPITALS AND GENERALLY PUBLIC SPACES.

AMC IS AVAILABLE FOR ALL THE STAINLESS STEEL SERIES ON REQUEST.





PBA AMC REDUCES PATHOGENS  
BY ABOUT 99.99%

MULTI-RESISTANT PATHOGENS  
DEVELOP WITHOUT PBA AMC

**TRIED AND TESTED EFFICACY**

REDUCES MULTI-RESISTANT PATHOGENS BY 99.99%.  
(EFFECT OF ANTI-BACTERIAL ACTIVITY ON STAINLESS STEEL SURFACES).

# PBA ANTI-MICROBIAL COATING



THE **PBA ANTI-MICROBIAL COATING (AMC)** SURFACE FINISHING CONTAINS SPECIAL ADDITIVES THAT MAKE THE SURFACE PROTECTED FROM BACTERIA AND MICROORGANISMS. THE TESTS SHOW THAT ON UNTREATED SURFACES THE MICROBES AND BACTERIA CAN EASILY PROLIFERATE WHILE ON THE TREATED SURFACES THE BACTERIAL PROLIFERATION IS PRACTICALLY ZEROED.

## TEST AND EFFICACY

THE FOUNDATION FOR SUCCESSFULLY FIGHTING GERM GROWTH CONSISTS OF A THREE ACTION MECHANISMS: BLOCKAGE OF PRIMARY CELL METABOLISM, STOPPAGE OF CELLULAR RESPIRATION, PREVENTION OF CELL DIVISION.

SURFACES WITH **PBA ANTI-MICROBIAL COATING (AMC)** HAVE BEEN TESTED TO BE ACTIVE AGAINST GRAM-POSITIVE (STAPHYLOCOCCUS AUREUS - MRSA, BACILLUS SUBTILIS, STREPTOCOCCUS DAECALIS, AND OTHERS) AND GRAM-NEGATIVE BACTERIA (ESCHERICHIA COLI - ESBL, LEGIONELLA PNEUMOPHILA, PSEUDOMONAS AERUGINOSA AND OTHERS).

## WHERE TO USE

WE RECOMMEND **PBA ANTI-MICROBIAL COATING (AMC)** FOR ALL THE HYGIENE-SENSITIVE AREAS SUCH AS HOSPITALS AND RETIREMENT HOME AND GENERALLY FOR PUBLIC BUILDINGS AND HOTELS.

## CARE AND MAINTENANCE

**PBA ANTI-MICROBIAL COATING (AMC)** NEEDS THE SAME CARE OF STANDARD POWDER-COATED SURFACES.

## AMC FINISH

STAINLESS STEEL POWDER COATED



TRANSPARENT  
SATIN



TRANSPARENT  
BRIGHT



BLACK  
RAL 9005



WHITE  
RAL 9010

DESIGN.  
FOR ALL

AMC



DESIGN FOR ALL 4CS STAINLESS STEEL GRAB BARS AND BATHROOM ACCESSORIES

DESIGN FOR ALL SERIES GBA AND 4CS ARE IN STAINLESS STEEL.

BOTH SERIES HAVE AN ERGONOMIC AND CLEAN DESIGN, SUITABLE FOR HEALTHCARE FACILITIES, PRIVATE RESIDENCES, PUBLIC PLACES, OFFICES, RESTAURANTS AND HOTELS.

**PBA ANTI-MICROBIAL COATING (AMC)** IS THE PERFECT FINISHING FOR DESIGN FOR ALL GBA AND 4CS PRODUCTS TO TOTALLY SATISFY THE HYGIENIC REQUIREMENTS OF SENSITIVE AREAS.

WE RECOMMEND TO USE THIS COATING FOR GRAB BARS AND FOR ALL THE ACCESSORIES AND PRODUCTS FREQUENTLY TOUCHED.

CONTACT OUR OFFICE FOR MORE INFORMATION ABOUT PBA ANTI-MICROBIAL COATING (AMC).

**DESIGN FOR ALL GBA**

THE **DESIGN FOR ALL** BATHROOM ACCESSORIES COLLECTION IS AN EXPRESSION OF MATERIALITY AND FORM AT ITS PUREST. CRAFTED BY HAND OF AISI 316L STAINLESS STEEL - THE HARDEST, MOST RESISTANT, AND MOST ELASTIC OF STEELS - MAXIMUM ATTENTION WAS GIVEN TO CREATING MINIMAL SHAPES WITH REFINED DETAILS ... ALL TO REDUCE VISUAL CLUTTER AND TO DELIVER AN ELEVATED END USER EXPERIENCE. FROM THE ABSENCE OF FLANGES AND EXPOSED HINGES TO A TRADEMARK REVEAL THAT IMPARTS A DISCERNIBLE LIGHTNESS AND MAKES INSTALLATION ON UNEVEN SURFACES MORE FORGIVING, EVERY ITEM IN THE RANGE BRINGS AN INCOMPARABLE ELEGANCE AND SENSE OF MODERNITY TO THE RESTROOM ENVIRONMENT. CONCEIVED TO BLEND INTO A SPACE RATHER THAN TO DISTRACT THE EYE, AND A STEP AWAY FROM THE INSTITUTIONAL LOOK COMMON TO THE MARKET, DESIGN FOR ALL WAS DEVELOPED IN COLLABORATION WITH GENSLEER, SERVING AS PRODUCT DESIGN CONSULTANT.

**FINISH**

STAINLESS STEEL



**.44**  
Satin

STAINLESS STEEL POWDER COATED



**.31**  
White



**.38**  
Champagne



**.39**  
Bronze



**.32**  
Grey



**.40**  
Black

LRV 53

(LIGHT REFLECTANCE VALUE)  
MEASURES THE PERCENTAGE  
OF LIGHT A PAINT COLOR REFLECTS.

STAINLESS STEEL POWDER COATED **AMC**



**.99**  
Transparent  
Satin



**.99**  
Transparent  
Bright



**.99**  
Black  
RAL 9005



**.99**  
White  
RAL 9010

**ADA**



PRODUCTS IN THIS COLLECTION WERE DESIGNED TO COMPLY WITH THE ADA AND SIMILAR ACCESSIBILITY REQUIREMENTS, HOWEVER FINAL INTERPRETATION OF ACCESSIBILITY COMPLIANCE IS THE RESPONSIBILITY OF THE SPECIFIER AND SHOULD BE DETERMINED ACCORDING TO SPECIFIC PROJECT CONDITIONS AND LOCAL CODES.

## MATERIALS

### Chemical compositions of AISI stainless steel grades

Material - Stainless	C%	Cr%	Ni%	Mo%
AISI 430 (1.4016)	0,12 max	14.0-18.0	/	/
AISI 304 (1.4301)	0,08 max	18.0-20.0	8.0-10.5	/
AISI 316 (1.4401)	0,08 max	16.0-18.0	10.0-14.0	2.00-3.00
AIS 316L (1.4404)*	0,03 max	16.0-18.0	10.0-14.0	2.00-3.00

\*Standard PBA

### Estimated pit corrosion penetration time - time to penetrate 1 mm (years) by steel type

Location - Stainless Steel	Marine	Semi_industrial	Rural
Stainless Steel AISI 430 (1.4016)	N/A	85	250
Stainless Steel AISI 304 (1.4301)	145	135	770
Stainless Steel AISI 316 (1.4401)	260	525	1200

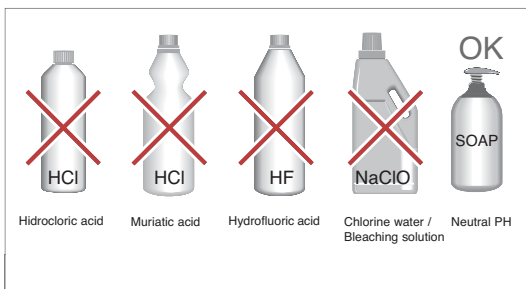
Source: The British Stainless Steel Association (BSSA)

### MATERIAL CERTIFICATION

THE AISI 316L STAINLESS STEEL (1) USED BY PBA, MEETS THE REQUIREMENTS OF UNI EN 1670, THE ULTIMATE QUALITY STANDARD FOR ENSURING RESISTANCE TO CORROSION. PBA HAS BEEN AWARDED A CERTIFICATE FOR SUCCESSFULLY SALT SPRAY TESTING THE STAINLESS STEEL IN ACCORDANCE WITH UNI ISO 9227.

(1) X2CrNiMo 17-12-2 as per EN 10088-3

## MAINTENANCE





## HAND SANITIZER COVER

THE **HAND SANITIZER COVER** COLLECTION DEMONSTRATES HOW THOUGHTFUL DESIGN CAN MAKE HAND HYGIENE MORE ATTRACTIVE, ELEVATING THE APPEARANCE OF ALL PUBLIC-FACING SPACES. PBA COLLABORATED WITH GENSLER, SERVING AS PRODUCT DESIGN CONSULTANT, ON THIS NEW RANGE, WHICH IS SUITABLE FOR OFFICE, HOSPITALITY, RETAIL, EDUCATION, HEALTHCARE, AND AVIATION APPLICATIONS.

CRAFTED BY HAND OF AISI 316L STAINLESS STEEL — THE HARDEST, MOST RESISTANT, AND MOST ELASTIC OF STEELS — AND INCLUDING FIVE FREESTANDING, WALL-MOUNTED, AND COUNTERTOP MODELS, THE HAND SANITIZER COVER COLLECTION ENSURES A BEAUTIFULLY MINIMAL DESIGN SOLUTION THAT IS ALSO EXCEPTIONALLY EASY TO USE AND MAINTAIN.

## FINISH

### STAINLESS STEEL



.44  
Satin

### STAINLESS STEEL POWDER COATED



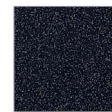
.31  
White



.38  
Champagne



.39  
Bronze



.32  
Grey



.40  
Black

LRV 53

(LIGHT REFLECTANCE VALUE) MEASURES THE PERCENTAGE OF LIGHT A PAINT COLOR REFLECTS.

## ADA



THE FREESTANDING MODELS DESIGN 1, DESIGN 2 AND DESIGN 3 WERE DESIGNED TO COMPLY WITH THE ADA AND SIMILAR ACCESSIBILITY REQUIREMENTS. HOWEVER, FINAL INTERPRETATION OF ACCESSIBILITY COMPLIANCE IS THE RESPONSIBILITY OF THE SPECIFIER AND SHOULD BE DETERMINED IN RELATION TO SPECIFIC PROJECT CONDITIONS AND LOCAL CODES.

## MATERIALS

### Chemical compositions of AISI stainless steel grades

Material - Stainless	C%	Cr%	Ni%	Mo%
AISI 430 (1.4016)	0,12 max	14.0-18.0	/	/
AISI 304 (1.4301)	0,08 max	18.0-20.0	8.0-10.5	/
AISI 316 (1.4401)	0,08 max	16.0-18.0	10.0-14.0	2.00-3.00
AIS 316L (1.4404)*	0,03 max	16.0-18.0	10.0-14.0	2.00-3.00

\*Standard PBA

### Estimated pit corrosion penetration time - time to penetrate 1 mm (years) by steel type

Location - Stainless Steel	Marine	Semi_industrial	Rural
Stainless Steel AISI 430 (1.4016)	N/A	85	250
Stainless Steel AISI 304 (1.4301)	145	135	770
Stainless Steel AISI 316 (1.4401)	260	525	1200

Source: The British Stainless Steel Association (BSSA)

### MATERIAL CERTIFICATION

THE AISI 316L STAINLESS STEEL (1) USED BY PBA, MEETS THE REQUIREMENTS OF UNI EN 1670, THE ULTIMATE QUALITY STANDARD FOR ENSURING RESISTANCE TO CORROSION. PBA HAS BEEN AWARDED A CERTIFICATE FOR SUCCESSFULLY SALT SPRAY TESTING THE STAINLESS STEEL IN ACCORDANCE WITH UNI ISO 9227.

(1) X2CrNiMo 17-12-2 as per EN 10088-3

## HAND SANITIZER COVER - TECHNICAL INFORMATION AND MAINTENANCE

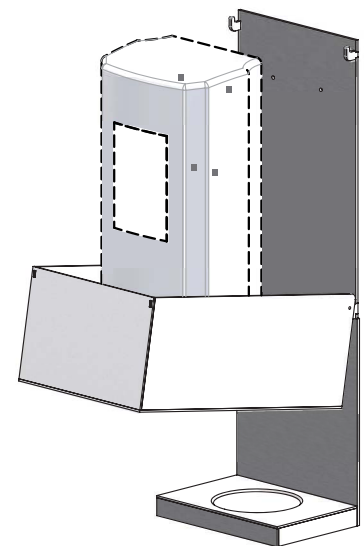
### INSTALLATION NOTE

PBA HAND SANITIZER COVERS ARE COMPATIBLE WITH ALL MOTION-ACTIVATED HAND SANITIZER DISPENSERS WITH THESE MAXIMUM DIMENSIONS: 298,5 MM (11.75") H X 163,9 MM (6.45") B X 104,2 MM (4.1") .

### COMPATIBLE WITH THE FOLLOWING HAND SANITIZER DISPENSERS:

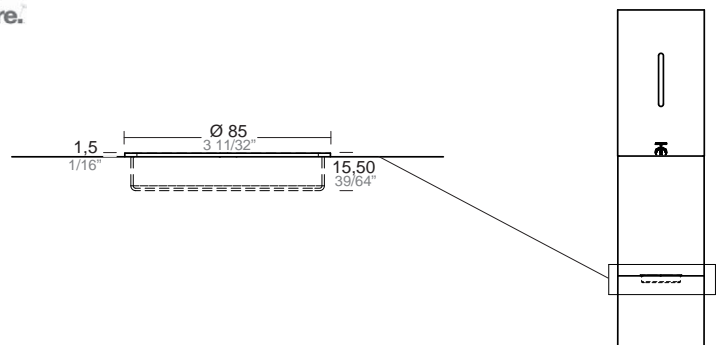
- PURELL CS6 / PURELL CS8
- PURELL TFX
- PURELL LTX-7 / PURELL LTX-12
- ENMOTION GEN2

THE HAND SANITIZER DISPENSERS ARE ALSO COMPATIBLE BASED ON THEIR DIMENSIONS.

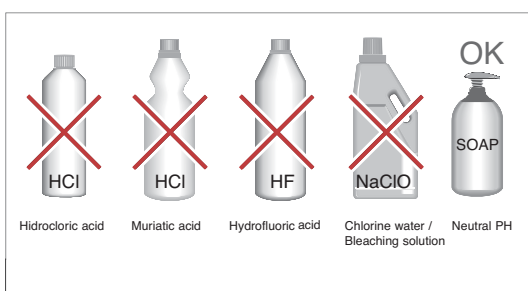


### REMOVABLE DEEP DRIP TRAY

AVAILABLE ON REQUEST TO SPECIFY DURING ORDER PHASE  
ART. GBA.001.0RDT.XX



## MAINTENANCE

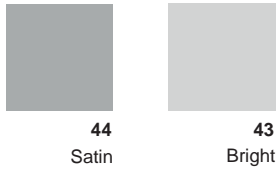


## DESIGN FOR ALL 4CS

THE **DESIGN FOR ALL 4CS** STAINLESS STEEL PROGRAM WAS DESIGNED FOR THE PROFESSIONAL CARE INDUSTRY. THANKS TO ITS FUNCTIONALITY, THE WIDE RANGE OF PRODUCTS, THE QUALITY OF THE BEST DEGREE OF STAINLESS STEEL (316L) AND THE TECHNICAL SOLUTION INTEGRATED IN THE PRODUCTS (FOR EASY INSTALLATION AND HIGH PERFORMANCE), THE STAINLESS STEEL DESIGN FOR ALL RANGE IS THE OPTIMUM SOLUTION FOR DIFFERENT FIELDS: HEALTH CARE, HOSPITALS, PRIVATE CLINICS, OFFICES AND PUBLIC SPACES. THE ERGONOMIC DESIGN AND THE MODULAR STRUCTURE OF THE PROGRAM OFFER A HIGH LEVEL OF COMFORT AND EASE FOR ALL USERS.

## FINISH

STAINLESS STEEL

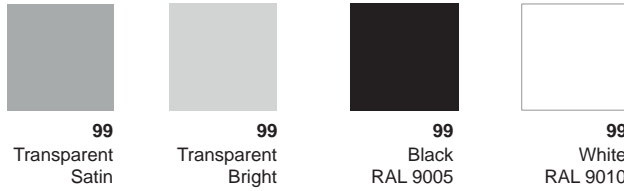


LRV 53      70

(LIGHT REFLECTANCE VALUE) MEASURES THE PERCENTAGE OF LIGHT A PAINT COLOR REFLECTS.

STAINLESS STEEL POWDER COATED

AMC



## ADA



PRODUCTS IN THIS COLLECTION WERE DESIGNED TO COMPLY WITH THE ADA AND SIMILAR ACCESSIBILITY REQUIREMENTS, HOWEVER FINAL INTERPRETATION OF ACCESSIBILITY COMPLIANCE IS THE RESPONSIBILITY OF THE SPECIFIER AND SHOULD BE DETERMINED ACCORDING TO SPECIFIC PROJECT CONDITIONS AND LOCAL CODES.

## CERTIFICATE

### CITOTOXICITY TEST



### Cytotoxicity test to DIN EN ISO 10993-5

#### CITOTOXICITY TEST

HYGICEN  
Centrum für Hygiene und medizinische Produktentwicklung

Hygiene-Service GmbH  
Measuresweg 1-3  
30163 Hannover

Cytotoxicity Test to DIN EN ISO 10993-5  
SDP-SP-001      30.06.2009

**Test Protocol**

Sample number: 04.1003.01  
Delivery date: 03.06.2009  
Product: Handle No. 000430-3 white  
Customer: TÜV Product Service GmbH  
Manufacturer: PBA s.r.l.  
Test method: Cytotoxicity of eluates according to the DIN EN ISO 10993-5, 10993-1  
Biological assessment of medicine products  
Part 5: Examination of Cytotoxicity  
SDP-SP-001  
Test time period: 10.06.2009 – 16.06.2009  
Test conditions: Examining climate: 22°C / 25% rel. humidity  
Incubation 24 hours  
The samples were checked in the delivery state.

EN 14993 III page 1 to 3

HYGICEN  
Centrum für Hygiene und medizinische Produktentwicklung

**Description of the method**

**Extraction conditions:** 5 cm<sup>2</sup> material (approx. 100 ml) of MEM + 1 % serum + 1 % antibiotic solution at 37°C for 24 h in extraction medium

**cell culture**  
FI-cells are derived from the human amnion. The stock cultures were carried out into 250 ml culture flasks (Greiner CELLSTAR). The cells were harvested at 4 days. Only cells up to 100 passages were used.  
Typical cells were seeded in culture tubes.  
The MEM culture medium containing 1 % antibiotic solution (end-concentration: 100 IU Penicillin G and 100 µg Streptomycin sulfate) and 8 % cell serum supplemented with 10 % Lactalbumin hydrolysate.  
The pH was adjusted to 7.2 with 1 M NaOH.

**Exposition**  
1.5 ml of medium per tube was changed carefully after 72 h of culture. The MEM medium contains 1% antibiotic and 1% cell serum (control) which is also used as extraction medium (see above).  
Following an incubation for 24 h was carried out.

**Take off / count the cells**  
The medium was discarded, the confluent cell culture was trypsinized with 0.3 M enzyme solution (0.05% 1:250 trypsin and 0.02 % EDTA in PBS without Ca<sup>++</sup> and Mg<sup>++</sup>). After 10 min incubation at 37°C the cells were resuspended in 1 ml MEM containing 1% cell serum and examined directly in an cell counter.

**Evaluation**  
The cell counts of 10 parallel tests were determined and used for statistical evaluation.

EN 14993 III page 2 to 3

HYGICEN  
Centrum für Hygiene und medizinische Produktentwicklung

**Results**

Figure 1: box plot of the cellcount

Testobjekt	n	Mean	cell count (%)	minimum	maximum	Std. Deviation	CI
control 16	487,07	100	37,1	57,9	68,96		
Handle 16	325,01	89,97	33,1	43,4	87,42		0,000

"U" test (Mn-Whitney) vs. Control

HYGICEN  
Centrum für Hygiene und medizinische Produktentwicklung

Prof. Dr. med. H.-P. Werner  
Manager of scientific-technical affairs

Dr. med. Klaus  
Prof. Dr. med. A. Kasper  
Department manager

EN 14993 III page 1 to 3

Prof. Dr. med. H.-P. Werner  
Manager of scientific-technical affairs

HYGICEN  
Centrum für Hygiene und medizinische Produktentwicklung

TÜV Product Service GmbH  
Measuresweg 1-3  
30163 Hannover

Handle white, No.: 000430-3      30.06.2009

**Judgement**

After testing the Cytotoxicity of the "Handle white, No.: 000430-3" according to the DIN EN ISO 10993-5, 10993-1 – our test report of 30.06.2009 – we give the following statement:  
From the tested material only minimal cytotoxic compounds were extracted at 37°C. The extract of the test material reduced the cell growth by 89,97% of control. This is not statistically significant (Fig. 1 and Tab. 1).  
Using the test material as described by the manufacturer no cytotoxic effects should be expected.

Prof. Dr. med. H.-P. Werner

EN 14993 III page 1 to 3

## MATERIALS

### Chemical compositions of AISI stainless steel grades

Material - Stainless	C%	Cr%	Ni%	Mo%
AISI 430 (1.4016)	0,12 max	14.0-18.0	/	/
AISI 304 (1.4301)	0,08 max	18.0-20.0	8.0-10.5	/
AISI 316 (1.4401)	0,08 max	16.0-18.0	10.0-14.0	2.00-3.00
AIS 316L (1.4404)*	0,03 max	16.0-18.0	10.0-14.0	2.00-3.00

\*Standard PBA

### Estimated pit corrosion penetration time - time to penetrate 1 mm (years) by steel type

Location - Stainless Steel	Marine	Semi_industrial	Rural
Stainless Steel AISI 430 (1.4016)	N/A	85	250
Stainless Steel AISI 304 (1.4301)	145	135	770
Stainless Steel AISI 316 (1.4401)	260	525	1200

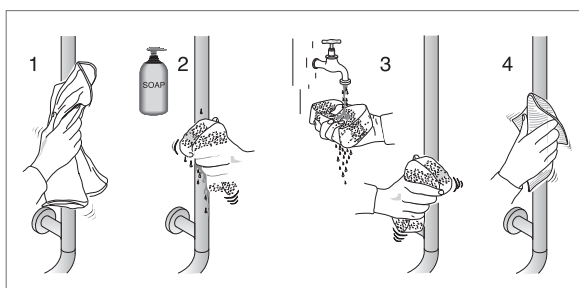
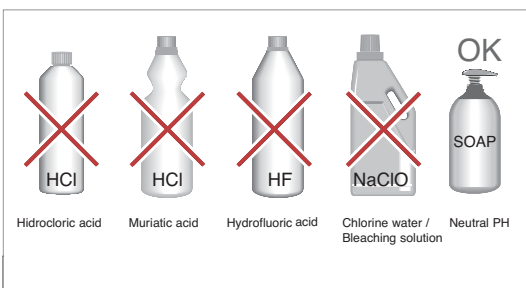
Source: The British Stainless Steel Association (BSSA)

### MATERIAL CERTIFICATION

THE AISI 316L STAINLESS STEEL (1) USED BY PBA, MEETS THE REQUIREMENTS OF UNI EN 1670, THE ULTIMATE QUALITY STANDARD FOR ENSURING RESISTANCE TO CORROSION. PBA HAS BEEN AWARDED A CERTIFICATE FOR SUCCESSFULLY SALT SPRAY TESTING THE STAINLESS STEEL IN ACCORDANCE WITH UNI ISO 9227.

(1) X2CrNiMo 17-12-2 as per EN 10088-3

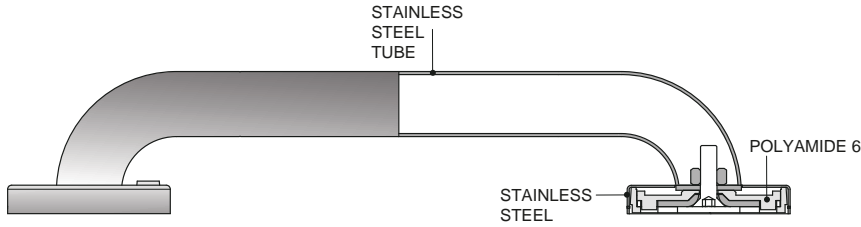
## MAINTENANCE



ONLY CLEAN WITH NEUTRAL PH SOAP

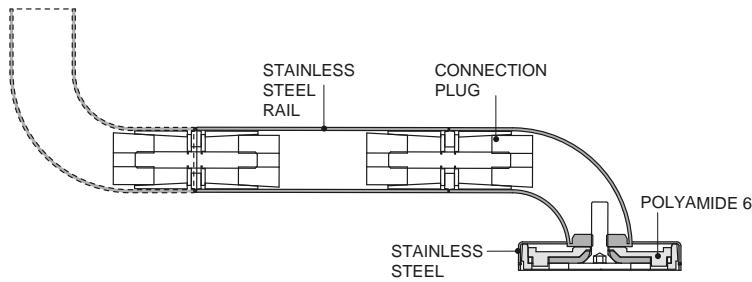
## STRUCTURAL ELEMENTS SAFETY BARS & EQUIPMENT

STRAIGHT GRAB BARS MADE OF FULL LENGTH BENT TUBE FOR HIGH STRENGTH PERFORMANCE



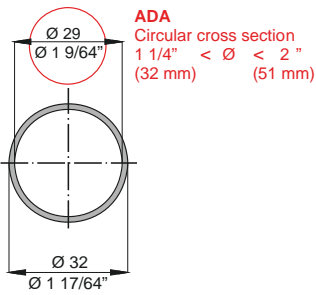
STAINLESS STEEL AND OTHERS MATERIALS ARE COMPLETELY SEPARABLE FOR RECYCLE.

OTHER GRAB BAR STYLES WITH CONNECTION PLUGS TO CREATE DIFFERENT CONFIGURATIONS



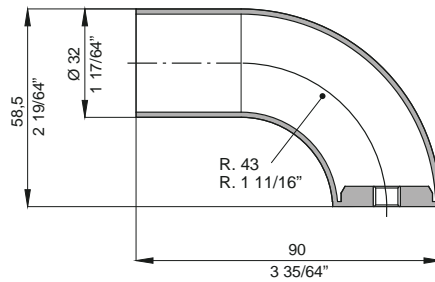
### RAIL

RAIL IN AISI 316L STAINLESS STEEL, Ø 32 MM, 15/10 THICKNESS.



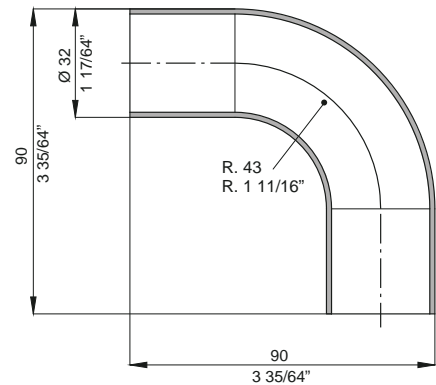
### BEND 90°

BEND IN AISI 316L STAINLESS STEEL, Ø 32 MM, 15/10 THICKNESS, WITH THREADED INSERTS INSIDE. CONNECTION BETWEEN RAIL AND FIXING FLANGE.



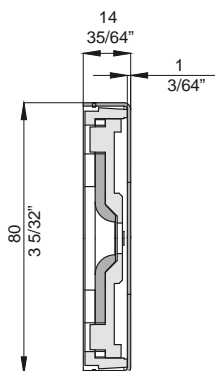
### BEND 90°

BEND IN AISI 316L STAINLESS STEEL, Ø 32 MM, 15/10 THICKNESS. CONNECTION BETWEEN RAIL TO RAIL. Ø 32R. 1 11/16"R. 433 35/64"903 35/64"901 17/64"



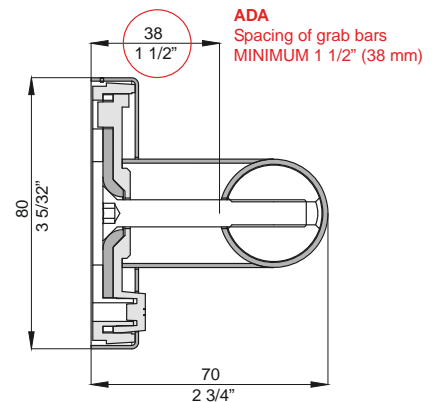
### ROSE

FLANGE IN STEEL WITH POLYAMIDE 6 COVERING. SCREW-PLATE COVER IN AISI 316L STAINLESS STEEL.



### STRAIGHT SUPPORT

SUPPORT IN AISI 316L STAINLESS STEEL.





## MATERIALS

### STAINLESS STEEL

Chemical composition of AISI stainless steel grades

Material - Stainless steel	C %	Cr %	Ni %	Mo %
AISI 430 (1.4016)	0,12 max	14.0-18.0	/	/
AISI 304 (1.4301)	0,08 max	18.0-20.0	8.0-10.5	/
AISI 316 (1.4401)	0,08 max	16.0-18.0	10.0-14.0	2.00-3.00
<b>AISI 316L (1.4404)*</b>	<b>0,03 max</b>	<b>16.0-18.0</b>	<b>10.0-14.0</b>	<b>2.00-3.00</b>

\*Standard pba

Estimated pit corrosion time – time to penetrate 1 mm (years) by steel type:

Location - Stainless Steel	Marine	Semi-industrial	Rural
Stainless steel AISI 430 (1.4016)	N/A	85	250
Stainless steel AISI 304 (1.4301)	145	135	770
<b>Stainless steel AISI 316 (1.4401)*</b>	<b>260</b>	<b>525</b>	<b>1200</b>

Source: The British Stainless Steel Association [BSSA]

THE STAINLESS STEEL AISI 316L IS AN AUSTENITIC ALLOY. IT IS DISTINGUISHED FROM OTHERS INOXIDIZABLE STEELS BY THE HIGH PERCENTAGE OF MOLYBDENUM WHICH GIVES IT A SPECIAL RESISTANCE TO PITTING CORROSION AND STRESS CORROSION. IN THIS KIND OF STAINLESS STEEL, THE PERCENTAGE OF NICKEL IS INCREASED TO GUARANTEE STABILITY. FURTHER, THE "L" STANDS FOR LOW CARBON AND, IN FACT, THE QUANTITY IS LESS THAN OR EQUAL TO 0.03%. THIS FEATURE PROLONGS THE CHROME CARBIDE'S PRECIPITATION TIME AND AVOIDS THE RISK OF INTERGRANULAR CORROSION DURING THE WELDING PROCESS.

### COPPER

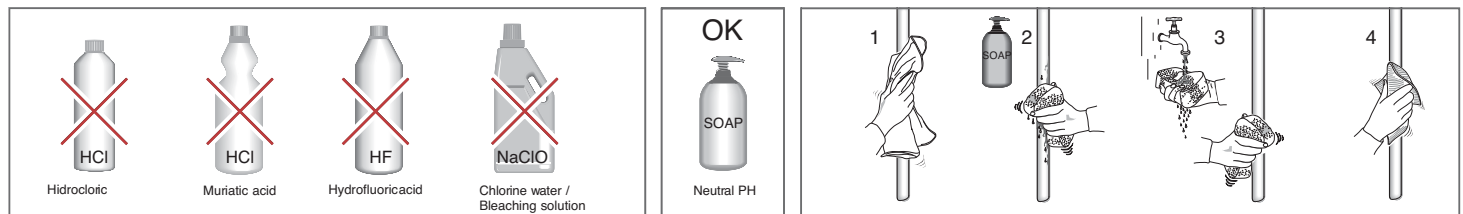
Material	U.S. EPA Classification	Thickness	Copper plating process
<b>CU ≥ 97%*</b>	<b>Antimicrobial Copper Alloys - Group I</b>	<b>Min 8 µm</b>	<b>Copper Plating</b>

\*Standard pba

THE U.S. ENVIRONMENTAL PROTECTION AGENCY (EPA) HAS APPROVED THE REGISTRATION OF ANTIMICROBIAL COPPER ALLOYS WITH PUBLIC HEALTH CLAIMS. THESE PUBLIC HEALTH CLAIMS ACKNOWLEDGE THAT COPPER ALLOYS ARE CAPABLE OF KILLING HARMFUL, POTENTIALLY DEADLY BACTERIA. COPPER IS THE FIRST SOLID SU EPA REGISTRATION, WHICH IS SUPPORTED BY EXTENSIVE ANTIMICROBIAL EFFICACY TESTING.

\*LABORATORY TESTING SHOWS THAT, WHEN CLEANED REGULARLY, ANTIMICROBIAL COPPER SURFACES KILL GREATER THAN 99.9% OF THE FOLLOWING BACTERIA WITHIN 2 HOURS OF EXPOSURE: MRSA, VRE, STAPHYLOCOCCUS AUREUS, ENTEROBACTER AEROGENES, PSEUDOMONAS AERUGINOSA, AND E. COLI O157:H7. ANTIMICROBIAL COPPER SURFACES ARE A SUPPLEMENT TO AND NOT A SUBSTITUTE FOR STANDARD INFECTION CONTROL PRACTICES AND HAVE BEEN SHOWN TO REDUCE MICROBIAL CONTAMINATION, BUT DO NOT NECESSARILY PREVENT CROSS CONTAMINATION OR INFECTIONS; USERS MUST CONTINUE TO FOLLOW ALL CURRENT INFECTION CONTROL PRACTICES.

### MAINTENANCE



DO NOT USE: CHLORINE, WATER PLUS SALT SOLUTION, ACID OR ALCOHOLIC SOLUTION TO AVOID DAMAGING THE COPPER.

### WARNINGS, CLEANING AND MAINTENANCE

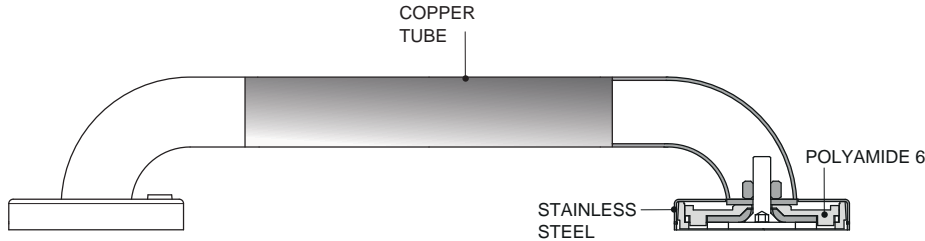
ANY IMPERFECTIONS AND/OR DIFFERENCES IN THE SHAPE, FINISHES AND MATERIALS CAN BE ATTRIBUTED TO THE AUTOMATED AND/OR MANUAL OPERATIONS REQUIRED IN THE PRODUCTION PROCESS. FAILING TO COMPLY WITH THE INSTRUCTIONS, IMPROPER USE (E.G. USING AS A HANGER), DAMAGE CAUSED BY BLUNT AND/OR SHARP OBJECTS, LACK OF CARE IN USE (I.E. NOT USING A SUITABLE DOOR STOP), IMPROPER MAINTENANCE (E.G. CLEANING WITH POLISHING PRODUCTS THAT ARE ABRASIVE OR CONTAIN ALCOHOL, INSTEAD OF NEUTRAL SOAP), INTENSE USE (E.G. THE OPERATION ON DOORS WITH A VERY HIGH FREQUENCY OF USE), CAN CAUSE SCRATCHES, DENTS OR WEAR TO THE PRODUCTS WITH CORROSIVE RESULTS, FOR WHICH WE ASSUME NO RESPONSIBILITY.

STRUCTURAL ELEMENTS SAFETY BARS & EQUIPMENT

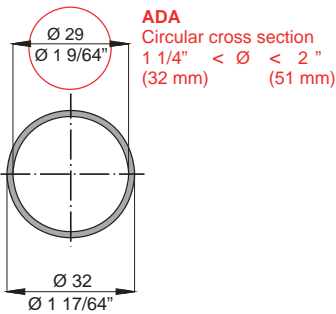
- Ø32 RAIL 1,5 mm THICK MADE OF COPPER
- BENDS IN STAINLESS STEEL AISI 316L
- STRAIGHT WALL SUPPORT IN STAINLESS STEEL AISI 316L.
- MOUNTING ROSES WITH STEEL CORE
- SCREWS, NUTS AND OTHER INNER PARTS ALL WITH ANTICORROSIVE COATING



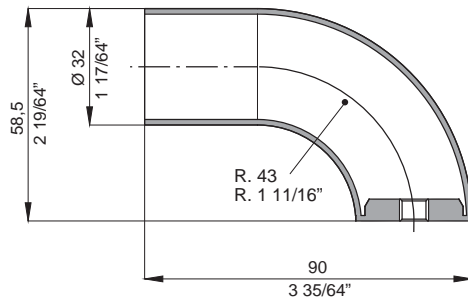
COPPER, STAINLESS STEEL AND OTHERS MATERIALS ARE COMPLETELY SEPARABLE FOR RECYCLE.



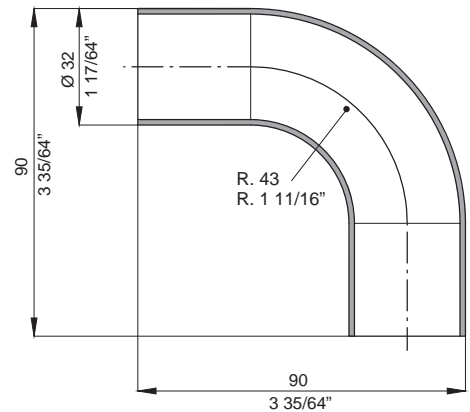
**RAIL**  
RAIL IN COPPER,  
Ø 32 MM, 15/10 THICKNESS.



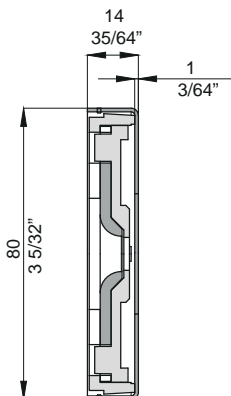
**BEND 90°**  
BEND IN AISI 316L STAINLESS STEEL, Ø 32 MM,  
15/10 THICKNESS, WITH THREADED INSERTS INSIDE.  
CONNECTION BETWEEN RAIL AND FIXING FLANGE.



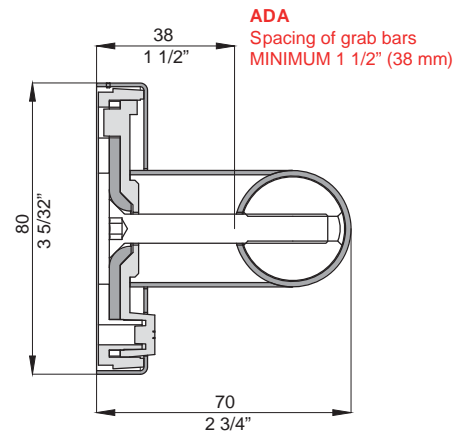
**BEND 90°**  
BEND IN AISI 316L STAINLESS STEEL, Ø 32 MM, 15/10  
THICKNESS. CONNECTION BETWEEN RAIL TO RAIL. Ø  
32R. 1 11/16"R. 433 35/64"903 35/64"901 17/64"



**ROSE**  
FLANGE IN STEEL WITH HOLES FOR WALL MOUNTING, WITH POLYAMIDE 6  
COVERING. SCREW-PLATE COVER IN AISI 316L STAINLESS STEEL.



**STRAIGHT SUPPORT**  
SUPPORT IN AISI 316L STAINLESS STEEL.





DESIGN FOR ALL 4CN

THE DESIGN FOR ALL 4CN POLYAMIDE 6 INCLUDES GRAB BARS, SHOWER SEATS AND A WIDE RANGE OF BATHROOM ACCESSORIES WHICH GIVE TO DESIGNER THE OPPORTUNITY TO DESIGN ACCESSIBILITY WITHOUT COMPROMISING BETWEEN ACCESSIBILITY AND BEAUTY. THE BROAD PRODUCT RANGE AND THE DESIGN, TOGETHER WITH THE WIDE VARIETY OF COLORS ALLOWS TO CREATE BEAUTIFUL AND ACCESSIBLE SPACES FOR EVERYONE. THE POLYAMIDE 6 RESIN OFFERS A PLEASANT TOUCH AND A COMFORTABLE TEMPERATURE. THE TECHNICAL QUALITY, COMBINED WITH THE NON-POROUS POLYAMIDE RESIN SURFACE AND THE ABSENCE OF MICRO-SPLITTING, ENSURES THAT IT IS SANITARY, WITH THE BEAUTY AND THE BENEFIT OF COLORS.

ADA



PRODUCTS IN THIS COLLECTION WERE DESIGNED TO COMPLY WITH THE ADA AND SIMILAR ACCESSIBILITY REQUIREMENTS, HOWEVER FINAL INTERPRETATION OF ACCESSIBILITY COMPLIANCE IS THE RESPONSIBILITY OF THE SPECIFIER AND SHOULD BE DETERMINED ACCORDING TO SPECIFIC PROJECT CONDITIONS AND LOCAL CODES.

CERTIFICATE

CITOTOXICITY TEST



Cytotoxicity test to DIN EN ISO 10993-5

CITOTOXICITY TEST

HYGICEN  
Centrum für Hygiene und medizinische Produktentwicklung

TÜV Product Service GmbH  
Maurerweg 1-3  
30559 Hannover

Cytotoxicity Test to DIN EN ISO 10993-5  
SCP-SP-001 30.06.2009

**Test Protocol**

Sample number: 04 1003 01  
Delivery date: 03.06.2009  
Product: Handle No. 000430-3 white  
Customer: TÜV Product Service GmbH  
Manufacturer: PBA s.r.l.  
Test method: Cytotoxicity of eluates according to the DIN EN ISO 10993-5, 10993-1  
Biological assessment of medicine products  
Part 5: Examination of Cytotoxicity  
SCP-SP-001  
Test time period: 10.06.2009 - 16.06.2009  
Test conditions: Examining climate: 22°C / 25% rel. humidity  
Incubation: 24 hours  
The samples were checked in the delivery state.

SN 1499 03 page 1 to 3

HYGICEN  
Centrum für Hygiene und medizinische Produktentwicklung

**Description of the method**

**Extraction conditions:** 5 cm<sup>2</sup> material (approx. 100 ml) of MEM + 1 % serum + 1 % antibiotic solution at 37°C for 24 h in extraction medium

**cell culture**  
FI-cells are derived from the human amnion. The stock cultures were carried out into 250 ml culture flasks (Greiner GmbH). The cells were trypsinized at 4 days. Only cells up to 100 passages were used. Trypsinized cells were seeded in culture tubes. The MEM culture medium containing 1 % antibiotic solution (concentration: 100 IU Penicillin G and 100 µg Streptomycin sulfate) and 8 % cell serum supplemented with 10 % L-glutamine hydrochloride. The pH was adjusted to 7.2 with 1 M NaOH.

**Exposition**  
1.5 ml of medium per tube was changed carefully after 72 h of culture. The MEM medium contains 1% antibiotic and 1% cell serum (control) which is also used as extraction medium (see above). Following an incubation for 24 h was carried out.

**Take off / count the cells:** The medium was decanted, the confluent cell culture was trypsinized with 0.3 ml enzyme solution (0.05% 1:250 trypsin and 0.02 % EDTA in PBS without Ca<sup>2+</sup> and Mg<sup>2+</sup>). After 10 min incubation at 37°C the cells were resuspended in 1 ml MEM containing 1% cell serum and examined directly in an cell counter.

**Evaluation**  
The cell counts of 10 parallel tests were determined and used for statistical evaluation.

SN 1499 03 page 2 to 3

HYGICEN  
Centrum für Hygiene und medizinische Produktentwicklung

**Results**

**Figure 1: box plot of the cellcount**

**Table 1: Descriptive statistics (cell/ml)**

	n	Mean	cell count (%)	minimum	maximum	Std. Deviation	CI
control	10	487,07	100	371	573	69,94	
Handle 16	white	325,01	80,97	331	434	87,42	

**\*U test (Mann-Whitney) vs. Control**

HYGICEN  
Centrum für Hygiene und medizinische Produktentwicklung

Prof. Dr. med. H.-P. Werner  
Manager of scientific-technical affairs

Dr. med. A. Kramel  
Prof. Dr. med. A. Kramel  
Department manager

SN 1499 03 page 1 to 3

HYGICEN  
Centrum für Hygiene und medizinische Produktentwicklung

Prof. Dr. med. H.-P. Werner  
Manager of scientific-technical affairs

TÜV Product Service GmbH  
Maurerweg 1-3  
30559 Hannover

Handle white, No.: 000430-3 30.06.2009

**Judgement**

After testing the Cytotoxicity of the "Handle white, No.: 000430-3" according to the DIN EN ISO 10993-5, 10993-1 in our test report of 30.06.2009 -- we give the following statement:  
From the tested material only minimal cytotoxic compounds were extracted at 37°C. The extract of the test material reduced the cell growth to 80,97% of control. This is not statistically significant (Fig. 1 and Tab. 1).  
Using the test material as described by the manufacturer no cytotoxic effects should be expected.

Prof. Dr. med. H.-P. Werner

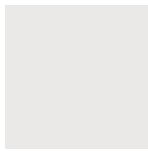
SN 1499 03 page 1 to 3

## COLORS

THERE IS NO CORRESPONDENCE BETWEEN THE COLOR'S OF PBA POLYAMID 6 EXTRUDED/STAMPED PRODUCTS AND THE RAL CHART. THE RAL STANDARDS INDICATED ONLY REPRESENT AN INDICATION OF PBA'S COLORS, TAKING INTO ACCOUNT THAT THEY COULD BE CONSIDERELY DIFFERENT FROM EACH OTHER, MOSTLY DEPENDING ON PERSONAL PERCEPTION AS WELL AS MONITOR AND PRINTER SETTINGS. SOMETIMES PBA PLASTIC PRODUCTS COULD STAND BETWEEN TWO COLORS OR THERE COULD BE NO MATCH AT ALL. PBA ADVICES TO REQUEST A SAMPLE FOR AN ACCURATE CHOICE.



A1  
White Plus  
LRV



01  
White  
87



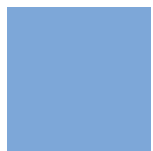
02  
Biscuit  
76



03  
Light yellow



04  
Yellow  
65



05  
Light blue  
LRV



07  
Grey  
27



09  
Red  
9



10  
Black  
5



17  
Anthracite

## LRV: THE IMPORTANCE OF COLOR

THE AGEING EYE INDIVIDUALS OR THE INDIVIDUALS WITH PSYCHOLOGICAL OR NERVOUS DISEASES WITH VISUAL IMPAIRMENTS FIND IT DIFFICULT TO DISCRIMINATE BETWEEN COLORS AND AS SUCH, THE USE OF CONTRAST IS AN EFFECTIVE TOOL TO ASSIST WITH THEIR INTERPRETATION OF THEIR PHYSICAL ENVIRONMENT. UNTIL RECENTLY, THE PERCEPTION WAS THAT OPPOSING COLORS (FOR EXAMPLE RED AND YELLOW) WOULD PROVIDE SUFFICIENT CONTRAST TO AID SOMEONE WITH A VISUAL IMPAIRMENT TO DISTINGUISH BETWEEN TWO OBJECTS OR SURFACES. HOWEVER, DESPITE THE DIFFERENCE IN HUE, THE LUMINOSITY OF THE COLOR MAY BE THE SAME. FOR EXAMPLE A DEEP RED WITH A LIGHT REFLECTANCE VALUE (LRV) OF 50 WILL APPEAR THE SAME AS A YELLOW WITH THE SAME LRV.

THE LIGHT REFLECTANCE VALUE (LRV) IS BASED ON A SCALE OF 0:100: THE 0, WHICH IS A PERFECTLY ABSORBING SURFACE THAT COULD BE ASSUMED TO BE TOTALLY BLACK, AND THE 100, WHICH IS A PERFECTLY REFLECTIVE SURFACE THAT COULD BE CONSIDERED TO BE THE PERFECT WHITE.

THE VISUAL CONTRAST IS GIVEN AS A DIFFERENCE IN LIGHT REFLECTANCE VALUE (LRV) BETWEEN TWO SURFACES.

THE **PERCEPTIBLE INFORMATION** PRINCIPLES OF THE UNIVERSAL DESIGN STATES THAT THE DESIGN HAS TO COMMUNICATE INFORMATION EFFECTIVELY REGARDLESS OF ENVIRONMENTAL CONDITIONS. IF THIS IS VALID FOR A MESSAGE ON A SIGN, IT'S EVEN MORE RELEVANT FOR A GRAB BAR AND GENERALLY FOR ALL THE PRODUCTS AND ACCESSORIES DESIGNED FOR A LIFE WITHOUT BARRIER.

## MATERIALS

### POLYAMIDE 6



THE POLYAMIDE 6 IS A HIGH QUALITY THERMOPLASTIC RESIN. ITS MAIN PROPERTIES ARE:

#### MECHANICAL PROPERTIES

IT IS REMARKABLE FOR ITS HIGH MECHANICAL RESISTANCE: MODULUS OF ELASTICITY  $E = 1300 \text{ N/MM}^2$ , YIELD STRESS  $= 45 \text{ N/MM}^2$ , IN A WIDE RANGE OF TEMPERATURE. THIS MATERIAL IS VIRTUALLY INDESTRUCTIBLE TO USUAL IMPACT, TENSILE AND BENDING STRESS AND AT THE SAME TIME GUARANTEES AN EXCEPTIONAL RESISTANCE TO WEAR AND TEAR AS WELL AS TO ABRASION.

#### THERMAL PROPERTIES

TESTS CONDUCTED BY THE UNDERWRITER'S LABORATORIES (USA) HAVE DEMONSTRATED THAT THE MATERIAL POSSESSES HIGH THERMAL RESISTANCE AND DOES NOT BURN EASILY. AS FLAME RETARDANT, IT IS THEREFORE CLASSIFIED AS SELF-EXTINGUISHING INTO CATEGORY UL 94 V-2.

#### ELECTRICAL PROPERTIES

IT HAS A GOOD INSULATING POWER AND ITS RESISTANCE TO ELECTRICAL CURRENTS CONFERS A GOOD PROTECTION AGAINST ELECTRICAL SHOCKS. CONNECTING TO THE GROUND IS THEREFORE NOT NECESSARY. IT DOES NOT CAUSE ELECTROSTATIC CHARGES AND DOES NOT ATTRACT DUST.

#### CHEMICAL PROPERTIES

IT IS RESISTANT TO WEATHERING AND INSENSITIVE TO NUMEROUS CHEMICAL AGENTS SUCH AS SOLVENTS, DETERGENTS, DISINFECTANTS OR CAUSTICS. HOWEVER REGULAR OR PROLONGED CONTACT WITH ACID DETERGENTS OR SCOURING MATERIALS CAN DETERIORATE THE SURFACE OF THIS MATERIAL AND SHOULD BE AVOIDED IF POSSIBLE.

#### PHYSIOLOGICAL PROPERTIES

THE CHEMICAL COMPOSITION IS IN ACCORDANCE WITH THE SEVERE RECOMMENDATIONS OF THE GERMAN HEALTH MINISTRY AND WITH VARIOUS CURRENT HEALTH REGULATIONS IN GERMANY AND USA.

#### ECOLOGICAL PROPERTIES

THE POLYAMIDE 6 IS PRODUCED WITHOUT HEAVY METAL OR DERIVATIVES, AND IS CADMIUM, LEAD, MERCURY, SELENIUM AND THEIR DERIVATIVES FREE. IT IS FULLY RECYCLABLE. IN COMPLIANCE WITH THE REGULATIONS OF THE LOCAL AUTHORITIES, IT CAN BE ALSO RECYCLED OR ELIMINATED WITH THE URBAN REFUSE.

### HIGH-STRENGHT ALUMINUM

IN ACCORDANCE WITH THE REGULATION UNI 9006, THE ANODIZED ALUMINUM USED IS CLASSIFIED AS ALUMINUM 6060. ITS COMPOSITION CONSISTS OF:

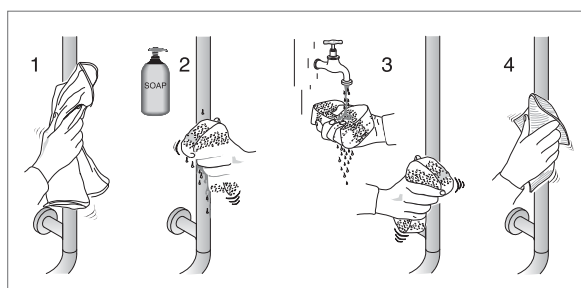
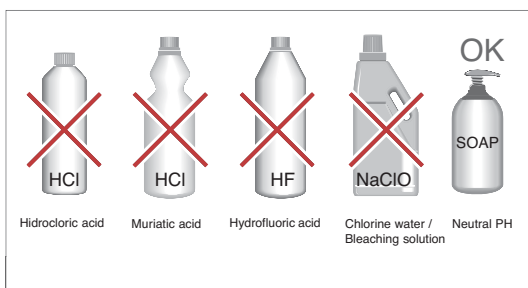
SILICIUM	IRON	MAGNESIUM	ALUMINUM
0.4%	0.2%	0.5%	98.9%

ITS MOST IMPORTANT MECHANICAL AND PHYSICAL PROPERTIES ARE:

UNIT LOAD OF THE TENSILE STRENGTH $R_m$ (N/mm <sup>2</sup> )	UNIT LOAD PROPORTIONAL ELASTIC LIMIT $R_{p0.2}$ (N/mm <sup>2</sup> )	DISTENSION A %	BRINELL HARDNESS HB	MODULE OF ELASTICITY E (N/mm <sup>2</sup> )
205	165	10	80	66000

ANODIZED ALUMINUM UNDERGOES A CALORIFIC HARDENING TREATMENT AND IS AFTERWARD AGED ARTIFICIALLY BY HEATING FROM 170 °C TO 185 °C FOR A PERIOD OF 6 + 10 HOURS.

## MAINTENANCE



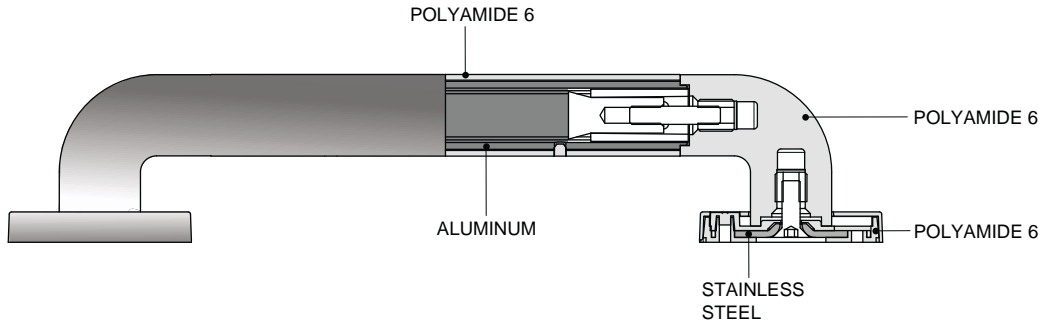
ONLY CLEAN WITH NEUTRAL PH SOAP

## STRUCTURAL ELEMENTS SAFETY BARS & EQUIPMENT

- RAILS MADE OF EXTRUDED SEAMLESS POLYAMIDE 6 AND REINFORCED WITH A ALUMINUM CORE ESPECIALLY ENGINEERED FOR EXTRA STRENGTH.
- MOULDED POLYAMIDE 6 BENDS.
- MOUNTING ROSES WITH STEEL CORE.
- STRAIGHT WALL SUPPORTS MADE OF POLYAMIDE 6.
- SCREWS, NUTS AND INNER PARTS ALL WITH ANTICORROSIVE COATING.



POLYAMIDE-6 AND METAL COMPONENTS ARE COMPLETELY SEPARABLE FOR RECYCLE.

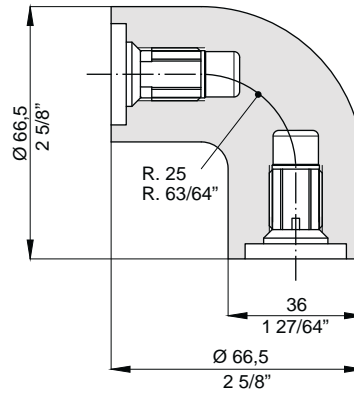
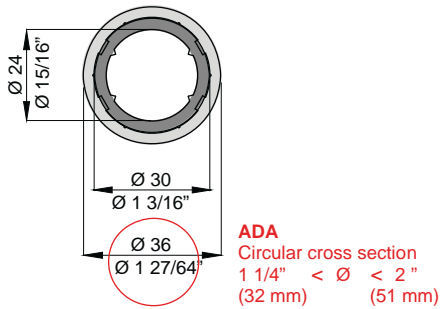


### RAIL

THE RAIL IS MADE OF A SEAMLESS POLYAMIDE 6 TUBE REINFORCED WITH A HIGH-STRENGTH, RUST PROOF ALUMINUM CORE.

### BEND 90°

MOULDED POLYAMIDE 6 BEND.

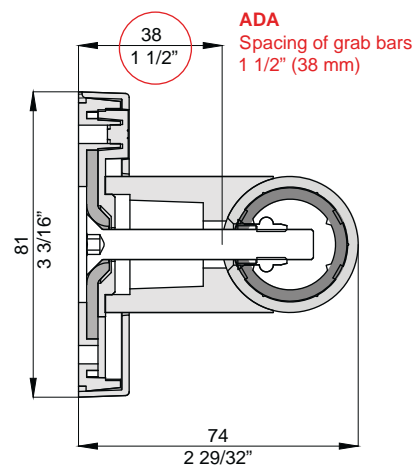
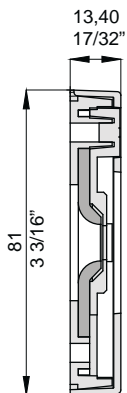


### ROSE

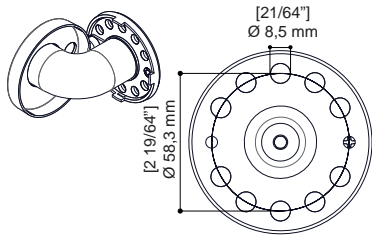
STAINLESS STEEL CORE COVERED IN COLOURED POLYAMIDE 6 AND SNAP-ON CAP.

### STRAIGHT SUPPORT

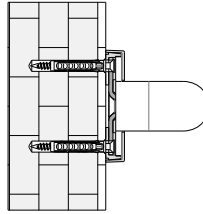
MOULDED POLYAMIDE 6 SUPPORT WITH ALUMINUM CORE.





**GRAB BARS AND SHOWER CURTAIN RAILS  
FLANGE MOUNTING INSTRUCTIONS**



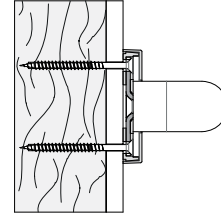
CONCRETE, NATURAL STONE,  
SOLID BRICK, HOLLOW BRICK



**KIT 4CN.0VM.0004.00**

- Included:  
 3 x plugs  
 3 x screws

SHEETROCK WALL,  
WOODEN PLATE



**KIT 4CN.0VM.0010.00**

- Included:  
 3 x screws

**ITEM**

GRAB BAR FLANGE

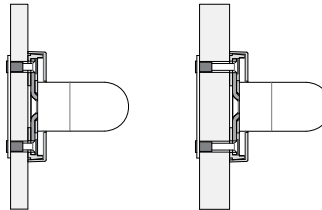
**4CS.422, 4CS.433, 4CS.424, 4CS.440,**

**4CS.442, 4CS.434**

SHOWER CURTAIN RAIL FLANGE

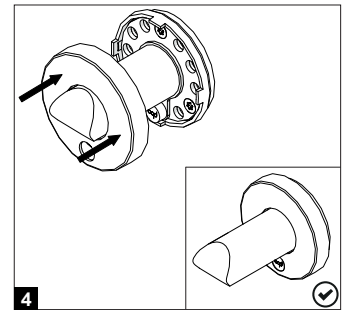
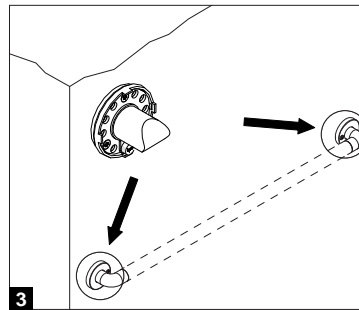
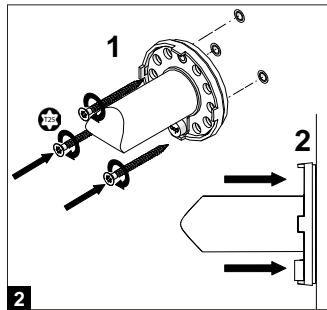
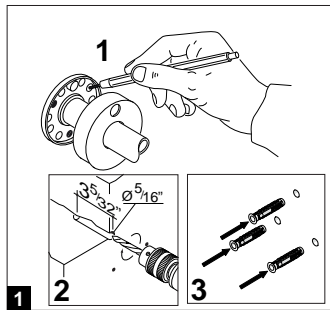
**4CS.429, 4CS.436, 4CS.437 4CS.487**

TOILET PARTITION  
thickness from 1/2" to 1"

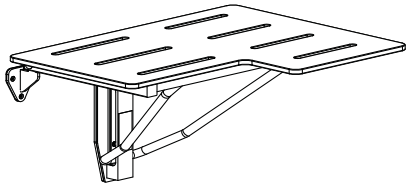


**KIT 4CN.0VM.0040.00**

- Included:  
 1 x stainless steel backing  
 3 x 16mm screws for 1/2" panel  
 3 x 25mm screws for 3/4" panel  
 3 x 30mm screws for 1" panel  
 3 x stainless steel nuts

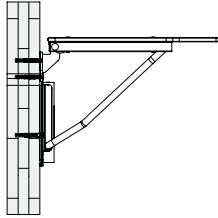


**FOLDING SHOWER SEAT  
MOUNTING INSTRUCTIONS**

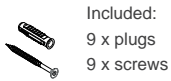


**ITEM**  
FOLDING SHOWER SEAT  
**4CS.447**

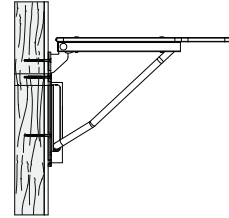
CONCRETE, NATURAL STONE,  
SOLID BRICK, HOLLOW BRICK



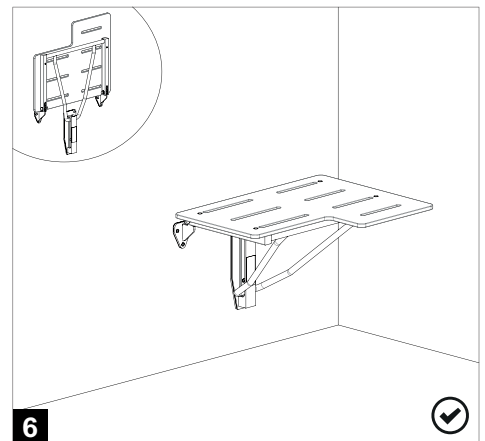
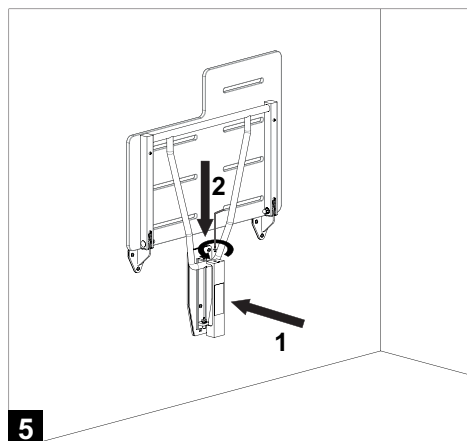
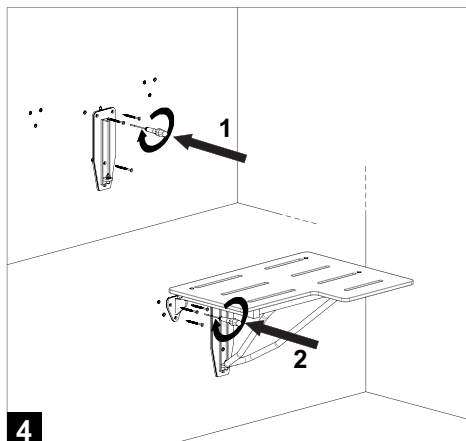
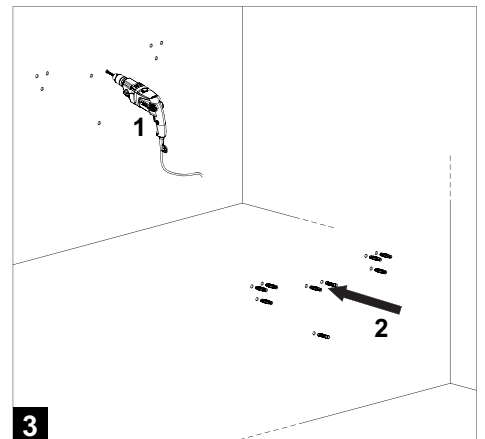
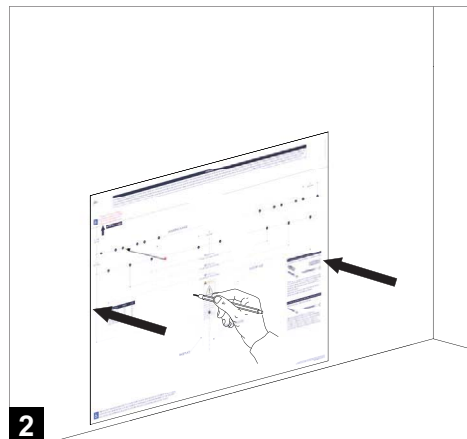
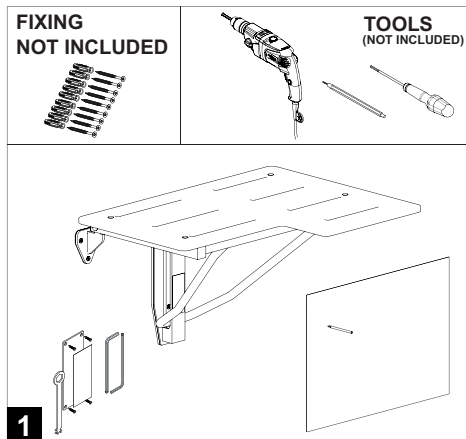
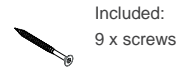
**KIT 4CN.0VM.0042.00**



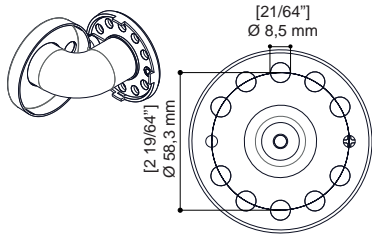
SHEETROCK WALL,  
WOODEN PLATE



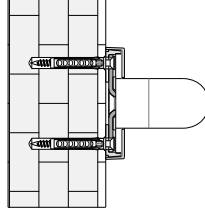
**KIT 4CN.0VM.0043.00**





**GRAB BARS AND SHOWER CURTAIN RAILS  
FLANGE MOUNTING INSTRUCTIONS**



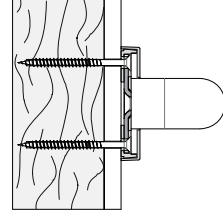
**CONCRETE, NATURAL STONE,  
SOLID BRICK, HOLLOW BRICK**



**KIT 4CN.0VM.0004.00**

- Included:  
 3 x plugs  
 3 x screws

**SHEETROCK WALL,  
WOODEN PLATE**



**KIT 4CN.0VM.0010.00**

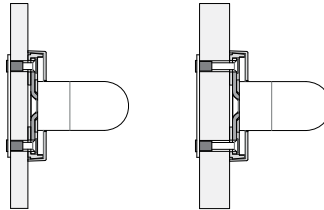
- Included:  
 3 x screws

**ITEM**

GRAB BAR FLANGE  
**4CN.422, 4CN.433, 4CN.424, 4CN.440,  
 4CN.442, 4CN.434**

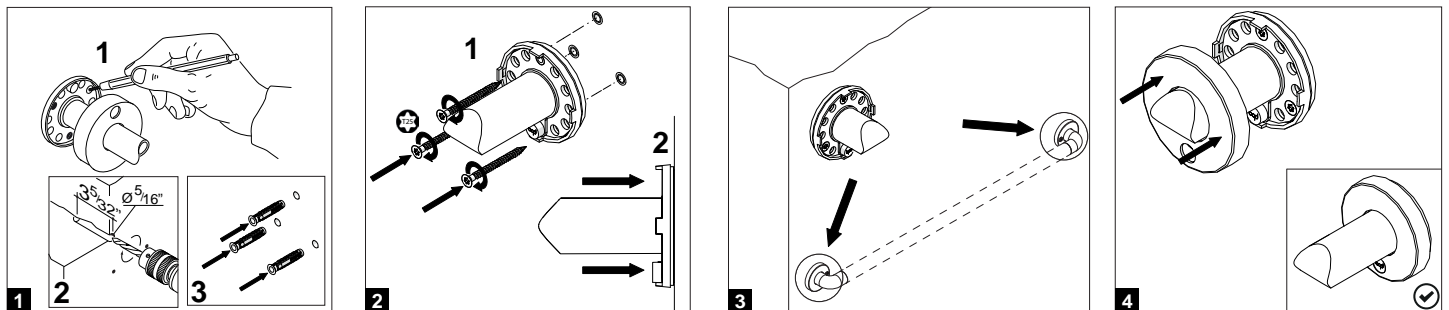
SHOWER CURTAIN RAIL FLANGE  
**4CN.429, 4CN.436, 4CN.437 4CN.487**

**TOILET PARTITION  
thickness from 1/2" to 1"**



**KIT 4CN.0VM.0040.00**

- Included:  
 1 x stainless steel backing  
 3 x 16mm screws for 1/2" panel  
 3 x 25mm screws for 3/4" panel  
 3 x 30mm screws for 1" panel  
 3 x stainless steel nuts

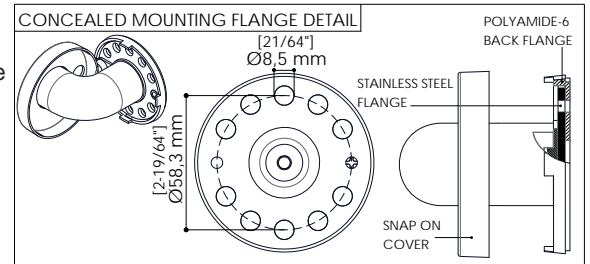


**GRAB BAR INSTALLATION**

Provide concealed anchor device or backing as specified or required in accordance with local building codes before wall is finished.

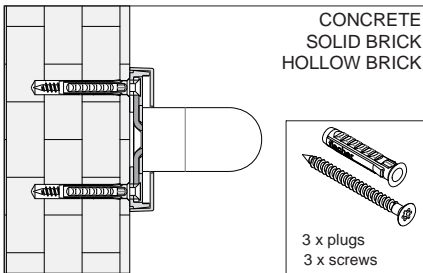
Fasten concealed mounting flanges to anchor device or backing with three screws in each flange.

Concealed anchor devices and mounting screws are not included with PBA grab bars and must be specified as optional mounting kit.

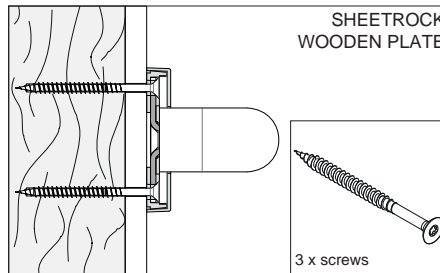


**AVAILABLE MOUNTING KITS:**

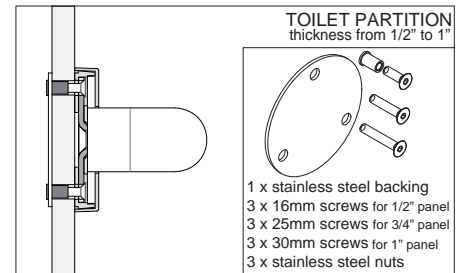
**4CN.0VM.0004.00**



**4CN.0VM.0010.00**

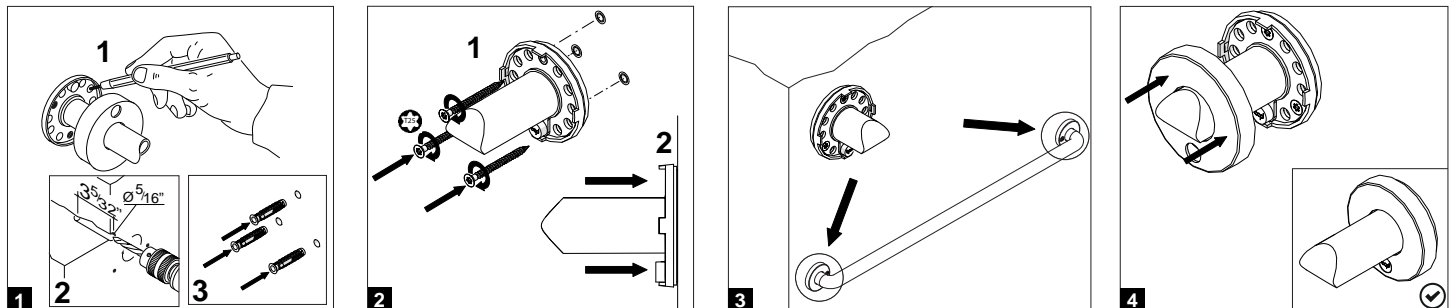


**4CN.0VM.0040.00**



**INSTALLATION ON WALL WITH PBA KIT 4CN.0VM.0004.00**

Place grab bar in desired mounting location. Use mounting flanges as a template to mark location of mounting screws. Mark screw location for each mounting flange and remove grab bar from wall. Drill  $\text{Ø}5/16"$  (8 mm) and insert plugs. Place grab bar and drive mounting screws into plugs and secure tightly. Press all snap-flange covers into place to conceal mounting flanges.



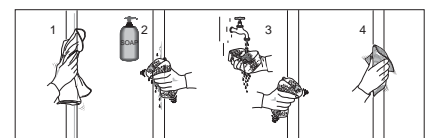
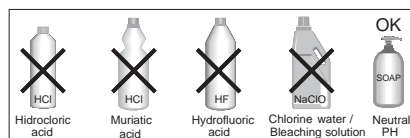
**INSTALLATION ON WALL WITH PBA KIT 4CN.0VM.0010.00**

Place grab bar in desired mounting location. Drive mounting screws in each flange and secure tightly. Press all snap-flange covers into place to conceal mounting flanges.

**INSTALLATION ON TOILET PARTITION WITH PBA 4CN.0VM.0040.00**

Using grab bar as a template and stainless steel backing to find holes position, mark toilet partition panel. Drill  $\text{Ø}5/16"$  (8 mm) holes for connectors. Insert connectors through backplate and into holes in panel. Secure grab bar to connectors using screws furnished by manufacturer. Press all snap-flange covers into place to conceal mounting flanges.

**CLEANING AND MAINTENANCE**  
DO NOT USE abrasive liquid detergents





## GENERAL CONDITIONS OF SALE

### 1. AGREEMENT

1.1 The supply of the products shown in this pricelist ("Products") of PBA SpA ("PBA") shall be governed by these general conditions of sale ("General Conditions"). These General Conditions shall apply also to the sale of spare parts, when possible.

1.2 The sale agreement of the Products ("Agreement") is entered into force among the parties upon the Client's receipt of PBA's order confirmation.

These General Conditions shall be deemed as an integral and essential part of any Agreement.

1.3 These General Conditions shall be executed by the Client and attached to the first purchase order sent to PBA, it being agreed that they shall accordingly apply to any following Agreement.

1.4 These General Conditions shall be deemed as tacitly accepted by the Client for any supply of Products, unless expressly rejected in writing by the Client by means of notice thereof to be sent to PBA at the latest within 5 (five) days as of the date of receipt of PBA's confirmation of the first purchase order sent by the Client.

Should the Client expressly reject one or more of these General Conditions within the above term, PBA shall be free to withdraw from the relevant Agreement, by means of written communication thereof and without any further obligation.

1.5 In no event shall any general conditions of any nature, inserted and/or specified in the Client's order forms and/or in other documents sent to PBA by the Client, and/or of which the latter was made aware in any manner whatsoever, apply to any Agreement and/or to any supply of Products.

Any special term and/or condition of supply suggested by the Client shall apply to the Agreement only if expressly contained in PBA's order confirmation.

Any change and/or amendment to these General Conditions shall be binding and valid only if accepted in writing by both parties.

### 2. PLACE AND TERMS OF DELIVERY OF THE PRODUCTS

2.1 The choice of an Incoterm does not affect the location of the place of delivery of the Products which, in any case, shall be deemed as delivered to the Client at the place and in the moment in which they are put at disposal of the haulier, for the relevant transport, at PBA's premises in Tezze sul Brenta (Vicenza), Italy.

In any case, unless otherwise agreed in writing by the parties, PBA shall never be liable for delays accrued during the transportation.

2.2 The terms of delivery of the Products (i) are specified in PBA's order confirmation, (ii) are approximate and roughly set forth and (iii) in no case shall they be construed as of essence.

2.3 In case of delay in the delivery of the Products at PBA's premises, caused by a fortuitous event, force majeure or other causes not depending on PBA's willful misconduct and/or gross negligence, the Client shall not be entitled to claim any compensation for damages, nor to ask for the termination of the Agreement and/or for the reduction of the price of the Products.

### 3. INCOTERMS

Unless otherwise agreed in writing, the Products and the relevant prices are to be considered with delivery Ex-works (EXW – Incoterms 2000), PBA's premises in Tezze sul Brenta (VI), Italy or at the different place indicated by PBA in the notice Products ready for delivery.

### 4. ORDERS – NON STANDARD AND/OR MADE TO MEASURE PRODUCTS

4.1 The purchase orders shall be made in writing and completed with all the data required for the relevant design and manufacture.

4.2 When already approved by the Client for the supply of catalogue Products, it is agreed that these General Conditions shall also apply to the sale orders related to non standard Products, Products out of catalogue and/or to be made to measure, if confirmed by PBA.

4.3 Any delay of the Client in the transmission of data, measures and/or technical specifications of the Products subject matter of the Agreement may cause a proportional postponement of the delivery terms, to be newly determined by PBA on the basis of its industrial needs.

### 5. PRICES AND PAYMENTS

5.1 The prices of the Products indicated in this pricelist are merely indicative and can be modified at any time by PBA.

The actual price of the Products is specified in PBA's order confirmation and, unless otherwise specified, it is deemed as net of VAT.

Any change and/or modification of the Products, agreed by the parties after the transmission of PBA's order confirmation, shall cause the adjustment of the relevant price due to any increase of the costs of production and/or of the raw materials, as agreed from time to time by the parties.

5.2 The price of the Products shall be paid by the Client as per the terms and ways specified in PBA's order confirmation, or otherwise agreed by the parties.

Any late collection or non collection of the Products shall not cause an extension and/or postponement of the terms of payment.

5.3 PBA shall be entitled to suspend the delivery of the Products should: (a) the Client's assets and/or financial standings endanger the relevant payment; (b) the Client fail to timely pay Products previously supplied by PBA, also on the basis of other Agreements, until full payment of the outstanding credit and/or until receipt of proper guarantees of the Client for any delivery in progress, without prejudice to PBA's right to claim for any damages suffered as a consequence thereof.

5.4 In no event shall any vice and/or defect of the Products, even when expressly acknowledged as such by PBA, and/or any delay of delivery as to the agreed terms give the Client the right to suspend the relevant payments and/or any other payment for whichever reason due to PBA also under other contractual relationships.

5.5 In case of late payments, PBA shall be entitled to charge interests on the unpaid amount at the rate provided by the law.

5.6 In no case shall the Client be entitled to set off any amount due to PBA in force of any Agreement against any amount due by PBA at any title whatsoever.

### 6. RETENTION OF TITLE

PBA shall be the sole owner of the Products until the date of their full payment.

Should the Agreement be terminated due to the Client's breach of contract, any Client's advance payment shall be kept by PBA as an indemnity within the limits set forth by the law, without prejudice to the latter's right to claim for further damages.

### 7. WARRANTY

7.1 PBA guarantees that the Products will be free from vices and defects in materials and workmanship for a period of 24 (twenty-four) months as of the date of the relevant delivery ("Warranty Period").

7.2 Should the complaints raised by the Client within the Warranty Period with reference to the Products be grounded and accepted by PBA, the latter shall, at its exclusive discretion, repair and/or replace the defective Product/s or the defective component/s of the same, with delivery Ex-works (EXW Incoterms 2000) PBA's premises in Tezze sul Brenta (VI), Italy.

The warranty obligations herewith undertaken shall be effective and binding only provided that PBA has the opportunity to verify the vices and/or defects raised by the Client.

PBA's warranty obligation shall be deemed as entirely fulfilled with the removal of the vice and/or defect raised by the Client, or with the replacement of the defective Product and/or component, without any further obligations.

Unless otherwise agreed in writing by the parties, all the expenses for returning to PBA the defective Products and/or components, as well as all the additional expenses related to the operations of repair or replacement shall be borne by the Client and shall be at the Client's risk.

7.3 Subject to the loss of warranty, the Client shall notify in writing, by registered letter return receipt requested, any vices and/or defects found within and not later than 8 (eight) days as of the date of the actual delivery of the Products, or, in case of hidden vices or defects, within and not later than 8 (eight) days as of the date of the relevant discovery.

7.4 The warranty is expressly excluded for vices and/or defects of the Products arising from or consisting in:

(i) any repair, alteration and/or modification not authorized in writing by PBA;

(ii) normal wear and tear of the materials or of single components;

(iii) improper use and/or application of the Products;

(iv) defects and/or mistakes in the measures and/or technical specifications supplied by the Client;

(v) deposit, maintenance and/or cleaning not in compliance with PBA's instructions;

(vi) installation not in compliance with PBA's instructions and/or carried out with non suitable materials;

(vii) any other event for which PBA is not directly liable.

Should the Client fail to regularly pay the agreed price, even if such default or such delay concerns a single part of the aggregate price of the Products, the warranty shall not apply.

7.5 Without prejudice to the compulsory product's liability law and any liability for willful misconduct and/or gross negligence, PBA shall not be liable for direct, indirect or incidental damages caused to the Client and and/or to third parties as a consequence of the defects of the Products. The Client shall not be entitled to terminate the Agreement in case of vices and/or defects of the Products subject matter of this warranty, should PBA timely comply with the relevant obligations.

7.6 The Products made of wood, pvc, rubber, rolled sections and/or of other natural materials shall be of a quality equal, within the limits of a reasonable similarity, to the relevant samples examined by the Client before the execution of the Agreement.

In no case shall therefore the samples of the Products examined by the Client be qualified as the exclusive standard for the exterior appearance of the Products.

Without prejudice to the warranty regulated by this clause 7, any chromatic and/or aesthetic difference (nervation of the wood, intensity of the colour shades, etc.) of the delivered Products compared to the characteristics of the relevant samples examined by the Client, shall not entitle the latter to terminate the Agreement and/or to ask for the replacement of the Products or for the reduction of the price.

7.7 In no event shall the chromatic differences between Products of the same type and/or colour, delivered with different lots and/or in different moments, be qualified as vices and/or defects of the Products, nor shall the Client be entitled to claim their replacement and/or the reduction of the relevant price as a consequence thereof.

### 8. MISPRINTS AND PRINTING ERRORS

We are not responsible for any misprint or printing error in catalogs or price lists. All images and sizes are not binding. Modifications are reserved. Design modifications are reserved to technically enhance products.

### 9. EXCLUSIVE COURT

All disputes arising out of or relating to these General Conditions, any Agreement and/or to the supply of Products shall be exclusively submitted to and settled by the Court of Vicenza, Italy.

PBA shall in any case be entitled, at its exclusive discretion, to institute legal proceedings against the Client before the Court of the place where the Client has its registered office.

### 10. APPLICABLE LAW

These General Conditions of sale and any Agreement shall be governed by Italian Law.

Should the Client be a foreign entity or in any case an entity having the registered office or the main place of business abroad, the Contracts related to the supply of the Products shall in any case be regulated by the United Nations Convention on the International Sale of Goods (Wien Convention, April 11, 1980)

### 11. WAIVER

Failure by PBA to enforce at any time the provisions of these General Conditions shall not be construed as a waiver of such provision or of the right to thereafter enforce each and every provision herein.

### 12. LANGUAGE

The Client executes these General Conditions in Italian and in English, it being agreed that should any conflict or inconsistency arise among the two versions, the Italian wording shall always prevail.



pba S.p.A. Via Enrico Fermi, 1 I-36056 Tezze sul Brenta (Vicenza) Italia  
Tel. +39 0424 5451 Fax +39 0424 545222 info@pba.it www.pba.it

pba USA, Inc. 68 34th Street Suite C405 Unit 20 Industry City Brooklyn NYC  
NY 11232 United States Tel. +1 212 255 4605 Fax +1 646 558 0335 office@pba-usa.us www.pba.it